

**GTG5121A-MSA: LED GARDEN LIGHT**

**INTRODUCTION**

100-277V	WARRANTY	RGBW	30/60/90/120° T2/T3/T4/T5	IP65	IK08	EURO	USA.CA
Wall (MWA)	Bollard (PSNE)	[GS] Bollard (GS-PSNE)	Bollard (PSNE)	Tall Bollard (PSNA)			

**FEATURE**

Upgrade Optimized Anti-glare Garden Lighting  
 Easy Installation and Maintenance  
 Low-glare Uniform Light Distribution  
 Long Lifespan >50,000hours  
 Working Temperature: -30°C~50°C [CUSTOM -40°C]

**MAIN MATERIAL**

LED Brand: GUBO  
 Driver Brand: GUBO  
 Housing: Die-casted Aluminum  
 Optics: High Efficiency PC Lens  
 Diffuser: Clear Glass Diffuser

**INSTALLATION**

[MWA]: Wall Surface Mounted  
 [MJP]: Fixing Plate on JBOX&Outlet Box  
 [PSNE]: Bollard With Inner Flange fixed by Expansion Bolt  
 [PSNA]: Bollard With Inner Flange fixed by Anchor  
 Suitable for Road Light, like Street, Park.....

**STANDARD**

Designed and Manufactured to Comply with  
 CE/RoHS/CB/cETL/SAA Standard  
 Withstand Voltage: 3.75KV, Surge: 6KV  
 IP65 Protection, Class I Electric

**OPTION**

LED CCT: 1700K/2200K/2700K/3500K/5000K  
 [CRI]: [E] Ra80, [G] Ra90, [H] Ra97  
 [CSL]: Photocell Lux Sensor  
 [GS1A]: One Side with Glare Shield  
 Custom Housing Finish: Colors by RAL Code

WHITE RAL9010P	BLACK RAL9005P	GREY RAL7042P	DARK GREY RAL7016P	BRASS RAL1024P
-------------------	-------------------	------------------	-----------------------	-------------------





MODEL	POWER [W]	LED TYPE	CCT [K]	CRI	FLUX [LM]	POWER FACTOR	BEAM ANGLE	OPTIONAL DIMMING	INPUT [V]	
GTG5121A-MSA120A-GS	12W	24x2W SMD3030	G2700K	RA90	720	>0.9	T2M:V65xH100° T3M:V80xH100° T4M:V85xH100° BL30D:30° BL60D:60° BL90D:90° BL120D:120°	[CDT]:TRIAC(10%) [CDV]:0/1~10V(8%) [CDV0]:0~10V(1%) [CDV1]:1~10V(10%) [CDX]:DMX512(1%) [CDA]:DALI(1%) [CDP]:PWM(1%)	AC100~277V [AC100~240V] [AC100~347V] 50/60Hz	
			G3000K	RA90	780					
			G3500K	RA90	780					
			G4000K	RA90	840					
			G6000K	RA90	840					
			G6000K	RA90	820					
	2C@12W	TWG	G2700K G6000K	RA90	580	>0.6				
	4C@12W	RGBW	620nm 520nm 465nm G2700K	\	580	>0.5				
	4C@12W	RGBA	620nm 520nm 465nm 590nm	\	580	>0.5				
	GTG5121A-MSA160A-GS	20W	24x2W SMD3030	G2700K	RA90	1210				>0.9
				G3000K	RA90	1300				
				G3500K	RA90	1300				
G4000K				RA90	1400					
G6000K				RA90	1400					
G6000K				RA90	1370					
2C@20W		TWG	G2700K G6000K	RA90	1050	>0.7				
4C@20W		RGBW	620nm 520nm 465nm G2700K	\	1050	>0.6				
4C@20W		RGBA	620nm 520nm 465nm 590nm	\	1050	>0.6				
GTG5121A-MSA200A-GS		30W [20W]	48x2W SMD3030	G2700K	RA90	1820	>0.9			
				G3000K	RA90	1960				
				G3500K	RA90	1960				
	G4000K			RA90	2100					
	G6000K			RA90	2100					
	G6000K			RA90	2060					
	40W	48x2W SMD3030	G2700K	RA90	2420	>0.9				
			G3000K	RA90	2620					
			G3500K	RA90	2620					
			G4000K	RA90	2800					
			G6000K	RA90	2800					
			G6000K	RA90	2750					
2C@40W	TWG	G2700K G6000K	RA90	2050	>0.7					
4C@40W	RGBW	620nm 520nm 465nm G2700K	\	2050	>0.6					
4C@40W	RGBA	620nm 520nm 465nm 590nm	\	2050	>0.6					
GTG5121A-MSA200A-GS	40W	48x2W SMD3030	G2700K	RA90	2420	>0.9				
			G3000K	RA90	2620					
			G3500K	RA90	2620					
			G4000K	RA90	2800					
			G6000K	RA90	2800					
			G6000K	RA90	2750					
	60W [50W]	96x2W SMD3030	G2700K	RA90	3680	>0.9				
			G3000K	RA90	3960					
			G3500K	RA90	3960					
			G4000K	RA90	4250					
			G6000K	RA90	4250					
			G6000K	RA90	4160					
2C@60W	TWG	G2700K G6000K	RA90	2810	>0.7					
4C@60W	RGBW	620nm 520nm 465nm G2700K	\	2810	>0.6					
4C@60W	RGBA	620nm 520nm 465nm 590nm	\	2810	>0.6					



**NOTE:**



All parameters are measured at 25°C ambient temperature, 35% humidity experimental environment.  
 Tolerances of power and luminous flux are ±10%, tolerance of color rendering index is ±5.

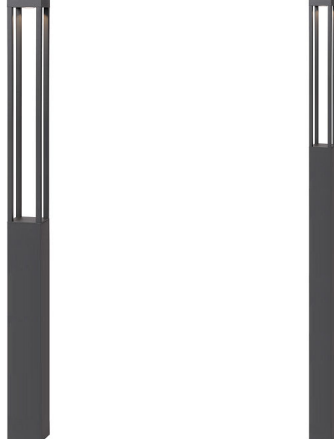

**GTG5121A: LED GARDEN LIGHT**

**SPECIFICATION**

[MWA]: Wall Light	<b>DIMENSION [UNIT: MM]</b>	<b>CASE STUDY: MR150D-MWA</b>
	<p>MS120A:S120/4.8" MS160A:S160/6.3" MS200A:S200/7.9"</p> <p>MS120A:S150/5.9" MS160A:S200/7.9" MS200A:S250/9.8"</p>	

[PSE]: Bollard	<b>DIMENSION [UNIT: MM]</b>	<b>CASE STUDY: MR120A-PSE-L1000</b>		
<table border="1"> <tr> <td data-bbox="129 647 359 680">Bollard [PSNE]</td> <td data-bbox="359 647 608 680">[GS] Bollard [GS-PSNE]</td> </tr> </table> 	Bollard [PSNE]	[GS] Bollard [GS-PSNE]	<p>L600: 600/23.6" L800: 800/31.5" L900: 900/35.5" L1000: 1000/39.4" L1200: 1200/47.3"</p> <p>MS120A:S120/4.8" MS160A:S160/6.3" MS200A:S200/7.9"</p> <p>EXPANSION BOLT 150/5.9"</p> <p>TOPVIEW</p>	
Bollard [PSNE]	[GS] Bollard [GS-PSNE]			

[PSNE]: Tall Bollard with Anchor MODEL: MSA160A-LS4A1220A-PS610	<b>DIMENSION [UNIT: MM]</b>	<b>CASE STUDY:</b>
	<p>L1500: 1500/59" L1800: 1800/71" L2000: 2000/79" L2400: 2400/95"</p> <p>MS160A:S160/6.3" MS200A:S200/7.9"</p> <p>EXPANSION BOLT 150/5.9"</p> <p>TOPVIEW</p>	

[PSNA]: Tall Bollard with Anchor MODEL: MSA200A-LS4A1220A-PS1220	<b>DIMENSION [UNIT: MM]</b>	<b>CASE STUDY:</b>		
<table border="1"> <tr> <td data-bbox="129 1624 359 2101">MODEL: MSA200A-LS4A1220A-PS1220</td> <td data-bbox="359 1624 718 2101">MODEL: MSA200A-LS4A1220A-PS2440A</td> </tr> </table> 	MODEL: MSA200A-LS4A1220A-PS1220	MODEL: MSA200A-LS4A1220A-PS2440A	<p>S200/7.87"</p> <p>LS4A1220/48" LS4A1830/72" LS4A2440/96"</p> <p>PS1220/48" PS1830/72" PS2440/96"</p> <p>Flange Cover</p> <p>ANCHOR 915/36"</p> <p>CONDUIT BY OTHERS</p> <p>CONCRETE BY OTHERS</p>	
MODEL: MSA200A-LS4A1220A-PS1220	MODEL: MSA200A-LS4A1220A-PS2440A			