

INTRODUCTION

GTE3605: LED BULKHEAD LIGHT

FEATURE

Easy Fast Installation and Maintenance Freely
 Excellent Uniform Structure of LED Technology
 Color Rendering Index Ra≥90 (SCDM 3-Step)
 Working Temperature: -20°C~40°C

MATERIAL & FINISH

LED Brand: GUBO (LM80)
 Internal Flicker-free Driver Brand: GUBO
 Chassis: Die-casted Aluminum
 Optics: Nano Painting Reflecting
 Diffuser: Clear Prism Anti-UV PC Diffuser

INSTALLATION

Surface Mounted
 Suitable for Interior & Exterior Light, like Parking Lot,
 Washroom, Bathroom, Sauna Room, Factory...

STANDARD

Designed and Manufactured to Comply with
 TUV/CE/RoHS/CB/ISAA/Erp/CE/TL/FCC
 Withstand Voltage: 3.75KV, Surge Protection: 1.0KV
 IP65 Protection, Class II Electric

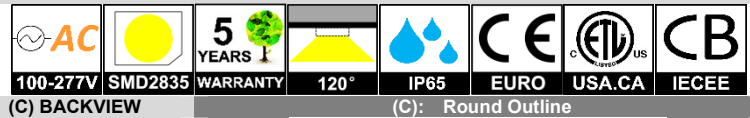
OPTION

LED CCT: 1,800K~10,000K\RG\BY
 [CRI]: [E] RA90, [G] RA90, [H] RA97
 [MJP]: Mounting Plate on J-Box/Gang Box
 [CBE] Emergency: 5W 90Min
 [CSMD] 0-10V Dimmable Microwave Motion Sensor

- Detection Zone: D8xH5meters
- Hold Time: 30s\60s\2min\10min
- Standby Dimming Level: 10%-20%-30%
- Standby Period: 0s\1h
- Daylight Sensor: Disable or 25 Lux

Housing Color Finish:

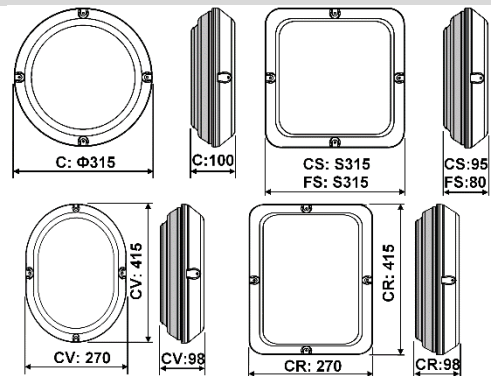
WHITE RAL9010P	BLACK RAL9005P	GREY RAL7042P	YELLOW RAL1023P
--------------------------	--------------------------	-------------------------	---------------------------



CASE STUDY



DIMENSION: [UNIT: MM]



MODEL	POWER [W]	LED TYPE	CCT [K]	CRI	LUMEN [LM]	POWER FACTOR	BEAM ANGLE	OPTIONAL DIMMING	INPUT [V]
GTE3605C GTE3605CS GTE3605CR GTE3605CV GTE3605FS	30W [20W] [15W] [12W]	240x0.5W SMD2835	G2700K	RA90	2680	>0.9	120°	[CDT]: TRIAC(15%) [CDV]: 0~10V(7%) [CDV0]: 0~10V(1%) [CDV1]: 1~10V(15%) [CDX]: DMX512(1%) [CDA]: DALI(1%) [CDP]: PWM(1%) [CDZ]: ZIGBEE(1%)	AC100~277V [AC220~240V] [AC100~240V] [AC100~347V] 50/60Hz
			G3000K	RA90	2830				
			G3500K	RA90	2830				
			G4000K	RA90	3060				
			G5000K	RA90	3060				
			G5700K	RA90	3060				
			G6000K	RA90	3060				
	40W	240x0.5W SMD2835	G2700K	RA90	3830	>0.9			
			G3000K	RA90	4050				
			G3500K	RA90	4050				
			G4000K	RA90	4370				
			G5000K	RA90	4370				
			G5700K	RA90	4370				
			G6000K	RA90	4370				
2C@30W	TWG	G2700K	G6000K	RA90	2360	>0.9			
4C@30W	RGBWG	620nm	520nm	465nm	G2700K	\	2360	>0.6	
2C@40W	TWG	G2700K	G6000K	RA90	3150	>0.9			
4C@40W	RGBWG	620nm	520nm	465nm	G2700K	\	3150	>0.6	
GTE3605FS	50W [40W] [30W] [20W] [15W]	360x0.5W SMD2835	G2700K	RA90	4590	>0.9			
			G3000K	RA90	4860				
			G3500K	RA90	4860				
			G4000K	RA90	5250				
			G5000K	RA90	5250				
			G5700K	RA90	5250				
			G6000K	RA90	5250				
	2C@50W	TWG	G2700K	G6000K	RA90	3850	>0.9		
	4C@50W	RGBWG	620nm	520nm	465nm	G2700K	\	3850	>0.6

NOTE:

All parameters are measured at 25°C ambient temperature, 35% humidity experimental environment.
 Tolerances of power and luminous flux are ±10%, tolerance of color rendering index is ±5.