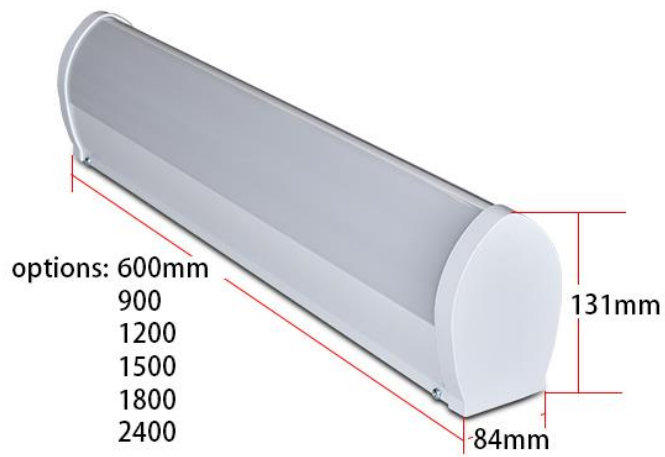




Model	Dimension(mm)	Watts	Lumens
CIP-LED210-HB	604*131*84mm	up 10W, down 10W	up 1200lm, down 1200lm
CIP-LED215-HB	930*131*84mm	up 15W, down 15W	up 1800lm, down 1800lm
CIP-LED220-HB	1214*131*84mm	up 20W, down 20W	up 2400lm, down 2400lm



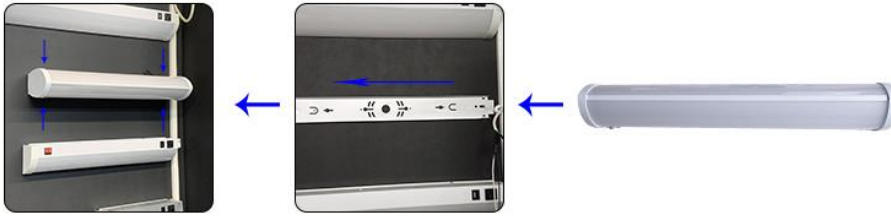
On/off switch:



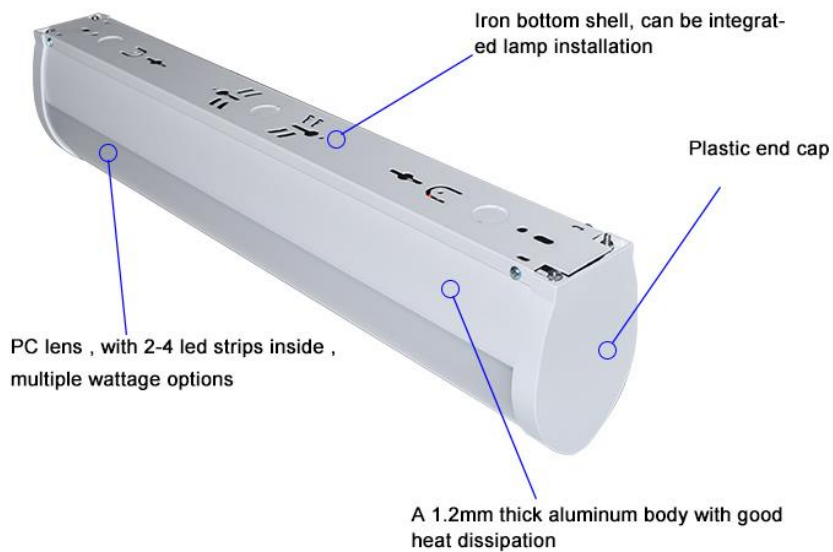
Pull chain switch:



INSTALLATION



Slide buckle installation,
slide installation, upper and
lower sides of 4 screws fixed, simple and fast



With 4 steps pull chain switches:

***First pull the top LED strip comes on.**

***Second pull the bottom strip comes on and the top shuts off.**

***Third pull they are both on.**

***Forth pull they are both off.**



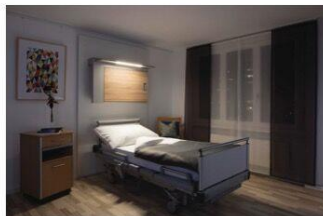
4 Step Switch Control



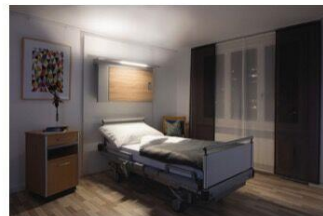
UP:OFF DOWN: OFF



UP:ON DOWN: OFF



UP:OFF DOWN: ON



UP:ON DOWN: ON

Construction:

- 1.2 mm Aluminum Body
- Poly carbonate Lens
- Isolated LED driver
- Epistar 2835 Replaceable LED chips
- 1/2/3/4/5/6/8ft
- 0-10V dimmable
- Dimming motion sensor
- 90 mins emergency battery
- on/off switch
- outlet socket
- USB port
- Pull Chain switch
- Wall/ceiling mounted, suspended
- Finish Color: white/ Silver/ black

Electrical control:

- Input voltage range: 100-277VAC/120-347VAC
- Frequency: 50/60Hz
- Power factor: >0.95
- Harmonic Distortion : THD<13%
- CRI >83
- CCT3000k/4000k/5000k/6000k
- Protection: over-voltage , over-temperature, short circuit.