

CIP-25430

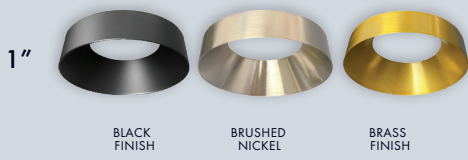
1", 2", 3" & 4" Push and Lock Trimless - CCT Selectable
 Black, White - 38°, 60°, 110° & Zoomable Options



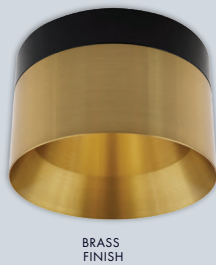
<p>1"</p> <p>25430 - 38° 25431 - 60°</p>	<p>2"</p> <p>25445 - 38° 25446 - 60°</p>	<p>3"</p> <p>25450 - 38° 25455 - 60°</p>	<p>3"</p> <p>25451 - 38°</p>
<p>3"</p> <p>25433 - 38° GIMBAL</p>	<p>3"</p> <p>25454 - 110° FLAT</p>	<p>3"</p> <p>25452 - 38° FLOATING GIMBAL</p>	<p>3"</p> <p>25453 - 24-50° ZOOMABLE</p>
<p>4"</p> <p>25434 - 36° GIMBAL</p>	<p>4"</p> <p>25462 - 38° FLOATING GIMBAL</p>	<p>4"</p> <p>25460 - 38° 25465 - 60°</p>	<p>4"</p> <p>25463 - 24-50° ZOOMABLE</p>

	<p>COLOR SELECTABLE</p> <p>2700K 3000K 3500K 4000K 5000K</p>	<p>TRIMLESS</p>	<p>PUSH AND LOCK</p>	<p>IC RATED</p>	<p>DUAL DIMMING TRIAC 0-10V</p>	<p>120-277V</p>	<p>WET LOCATION RATED</p>	<p>5 YEAR WARRANTY</p>
--	--	-----------------	----------------------	-----------------	-------------------------------------	-----------------	---------------------------	------------------------

TRIM REPLACEMENT OPTIONS AVAILABLE*

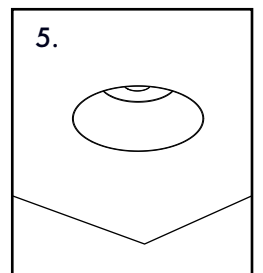
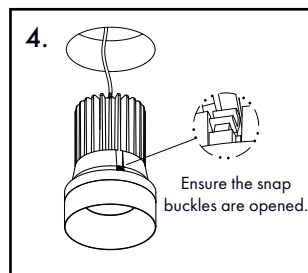
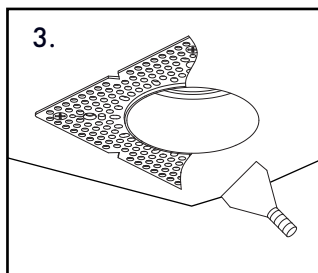
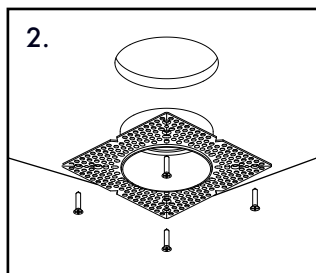
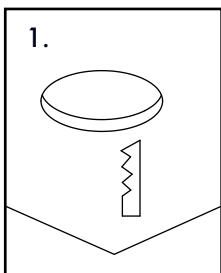


SNOOT OPTIONS AVAILABLE*



* SOLD SEPARATELY

EASY TRIMLESS INSTALLATION



ELECTRICAL

		MODEL	DESCRIPTION	POWER	INPUT VOLTS	DIMMING	EFFICACY	FLOOD	LIFETIME	COST/YR	
1"	WHITE	38° CIP-25430	LED/TLMD1/5CCT/RD/WT/D2	10	120V	TRIAC	85	38°	50,000	\$ 1.20	
		60° CIP-25431	LED/TLMD1/5CCT/RD/WT/D2/WFL	10	120V	TRIAC	85	60°	50,000	\$ 1.20	
2"	WHITE	38° CIP-25445	LED/TLMD2/5CCT/RD/WT/UNV/DD/FL	12	120-277V	TRIAC/0-10V	91	38°	50,000	\$ 1.44	
		60° CIP-25446	LED/TLMD2/5CCT/RD/WT/UNV/DD/WFL	12	120-277V	TRIAC/0-10V	91	60°	50,000	\$ 1.44	
3"	WHITE	38° CIP-25450	LED/TLMD3/5CCT/RD/WT/UNV/DD/FL	15	120-277V	TRIAC/0-10V	73	38°	50,000	\$ 1.80	
		60° CIP-25455	LED/TLMD3/5CCT/RD/WT/UNV/DD/WFL	15	120-277V	TRIAC/0-10V	73	60°	50,000	\$ 1.80	
	BLACK	38° CIP-25451	LED/TLMD3/5CCT/RD/BK/D	15	120V	TRIAC	73	38°	50,000	\$ 1.80	
4"	WHITE	38° CIP-25460	LED/TLMD4HO/5CCT/RD/WT/UNV/DD	25	120-277V	TRIAC/0-10V	80	38°	50,000	\$ 3.01	
		60° CIP-25465	LED/TLMD4HO/5CCT/RD/WT/UNV/DD/WFL	25	120-277V	TRIAC/0-10V	80	60°	50,000	\$ 3.01	
3"	WHITE	FLAT	110° CIP-25454	LED/TLMD3/FLT/5CCT/RD/WT/UNV/DD	15	120-277V	TRIAC/0-10V	73	110°	50,000	\$ 1.80
			38° CIP-25452	LED/TLMD3/FGB/5CCT/RD/WT/D	12	120V	TRIAC	75	38°	50,000	\$ 1.44
	GIMBAL & FLOATING GIMBAL	38° CIP-25433	LED/TLMD3/GB/5CCT/RD/WT/UNV/DD/FL	12	120-277V	TRIAC/0-10V	91	38°	50,000	\$ 1.44	
		36° CIP-25434	LED/TLMD4HO/GB/5CCT/RD/WT/UNV/DD/FL	20	120-277V	TRIAC/0-10V	100	36°	50,000	\$ 2.40	
4"		38° CIP-25462	LED/TLMD4HO/FGB/5CCT/RD/WT/UNV/DD	20	120-277V	TRIAC/0-10V	100	38°	50,000	\$ 2.40	
3"	ZOOMABLE	CIP-25453	LED/TLMD3/5CCT/RD/WT/UNV/DD/ZM	15	120-277V	TRIAC/0-10V	73	24-50°	50,000	\$ 1.80	
4"		CIP-25463	LED/TLMD4HO/5CCT/RD/WT/UNV/DD/ZM	25	120-277V	TRIAC/0-10V	84	24-50°	50,000	\$ 3.01	

PHOTOMETRIC

MODEL	DESCRIPTION	COLOR (CCT)	TEMP	LUMEN	CRI	ETL	PLATE (KNOCKOUT)
CIP-25430	LED/TLMD1/5CCT/RD/WT/D2	2700K/3000K /3500K/4000K/5000K	CCT SELECT	850	90	YES	41004 (#1) 41010 (#L1) 41011 (#0)
CIP-25431	LED/TLMD1/5CCT/RD/WT/D2/WFL	2700K/3000K /3500K/4000K/5000K	CCT SELECT	850	90	YES	41011 (#0)
CIP-25445	LED/TLMD2/5CCT/RD/WT/UNV/DD/FL	2700K/3000K /3500K/4000K/5000K	CCT SELECT	1000	90	YES	41006 (#1) 41010 (#R0) 41011 (#1)
CIP-25446	LED/TLMD2/5CCT/RD/WT/UNV/DD/WFL	2700K/3000K /3500K/4000K/5000K	CCT SELECT	1100	90	YES	41011 (#1)
CIP-25450	LED/TLMD3/5CCT/RD/WT/UNV/DD/FL	2700K/3000K /3500K/4000K/5000K	CCT SELECT	1100	90	YES	41004 (#2) 41006 (#2) 41010 (#R0) 41011 (#3)
CIP-25455	LED/TLMD3/5CCT/RD/WT/UNV/DD/WFL	2700K/3000K /3500K/4000K/5000K	CCT SELECT	1100	90	YES	41010 (#R0) 41011 (#3)
CIP-25451	LED/TLMD3/5CCT/RD/BK/D	2700K/3000K /3500K/4000K/5000K	CCT SELECT	1100	90	YES	41011 (#3)
CIP-25460	LED/TLMD4HO/5CCT/RD/WT/UNV/DD	2700K/3000K /3500K/4000K/5000K	CCT SELECT	2000	90	YES	41002 (#1) 41006 (#3) 41010 (#R1) 41011 (#4)
CIP-25465	LED/TLMD4HO/5CCT/RD/WT/UNV/DD/WFL	2700K/3000K /3500K/4000K/5000K	CCT SELECT	2000	90	YES	41010 (#R1) 41011 (#4)
CIP-25454	LED/TLMD3/FLT/5CCT/RD/WT/UNV/DD	2700K/3000K /3500K/4000K/5000K	CCT SELECT	1100	90	YES	41004 (#2) 41006 (#2) 41010 (#R0) 41011 (#3)
CIP-25452	LED/TLMD3/FGB/5CCT/RD/WT/D	2700K/3000K /3500K/4000K/5000K	CCT SELECT	900	90	YES	41006 (#2) 41010 (#R0) 41011 (#3)
CIP-25433	LED/TLMD3/GB/5CCT/RD/WT/UNV/DD/FL	2700K/3000K /3500K/4000K/5000K	CCT SELECT	1100	90	YES	41011 (#3)

PHOTOMETRIC

MODEL	DESCRIPTION	COLOR (CCT)	TEMP	LUMEN	CRI	ETL	PLATE (KNOCKOUT)
CIP-25434	LED/TLMD4HO/GB/5CCT/RD/WT/UNV/DD/FL	2700K/3000K /3500K/4000K/5000K	CCT SELECT	2000	90	YES	41002 (#1) 41006 (#3) 41010 (#R1) 41011 (#R4)
CIP-25462	LED/TLMD4HO/FGB/5CCT/RD/WT/UNV/DD	2700K/3000K /3500K/4000K/5000K	CCT SELECT	2000	90	YES	41004 (#2) 41006 (#2) 41010 (#R0) 41011 (#3)
CIP-25453	LED/TLMD3/5CCT/RD/WT/UNV/DD/ZM	2700K/3000K /3500K/4000K/5000K	CCT SELECT	1100	90	YES	41002 (#1) 41006 (#3) 41010 (#R1) 41011 (#4)
CIP-25463	LED/TLMD4HO/5CCT/RD/WT/UNV/DD/ZM	2700K/3000K /3500K/4000K/5000K	CCT SELECT	2100	90	YES	

AVAILABLE TRIM REPLACEMENT OPTIONS

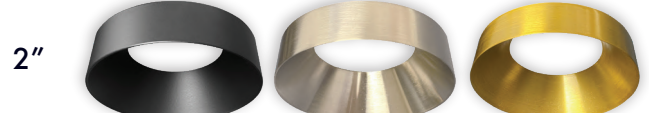
*SOLD SEPARATELY



25421
BLACK
FINISH

25422
BRUSHED
NICKEL

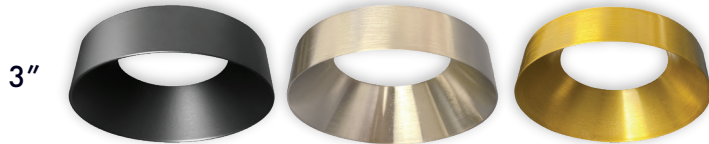
25423
BRASS
FINISH



25441
BLACK
FINISH

25442
BRUSHED
NICKEL

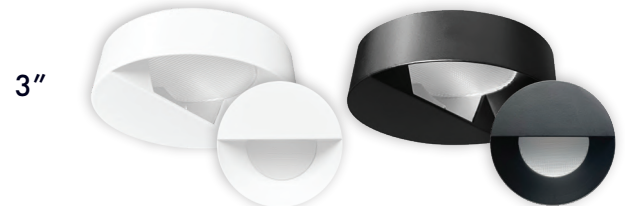
25443
BRASS
FINISH



25444
BLACK
FINISH

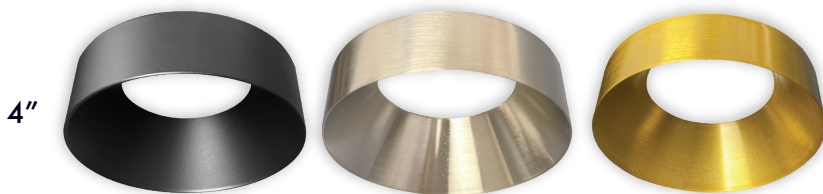
25447
BRUSHED
NICKEL

25435
BRASS
FINISH



25448
WHITE FINISH
WALL WASHER TRIM

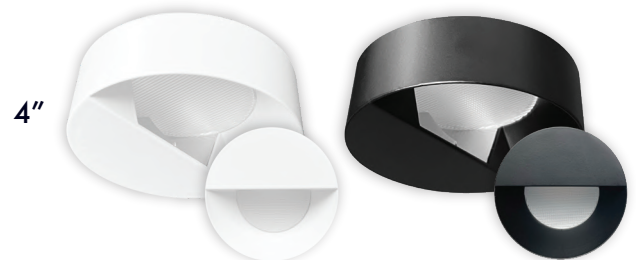
25449
BLACK FINISH
WALL WASHER TRIM



25466
BLACK
FINISH

25467
BRUSHED
NICKEL

25464
BRASS
FINISH



25468
WHITE FINISH
WALL WASHER TRIM

25469
BLACK FINISH
WALL WASHER TRIM

AVAILABLE TRIM REPLACEMENT OPTIONS

*SOLD SEPARATELY

	MODEL	DESCRIPTION	FINISH
1"	TR-25421	LED/TLMD1/5CCT/TRIM/RD/BK	ROUND BLACK
	TR-25422	LED/TLMD1/5CCT/TRIM/RD/BN	ROUND BRUSHED NICKEL
	TR-25423	LED/TLMD1/5CCT/TRIM/RD/BRS	ROUND BRASS
2"	TR-25441	LED/TLMD2/5CCT/TRIM/RD/BK	ROUND BLACK
	TR-25442	LED/TLMD2/5CCT/TRIM/RD/BN	ROUND BRUSHED NICKEL
	TR-25443	LED/TLMD2/5CCT/TRIM/RD/BRS	ROUND BRASS
3"	TR-25435	LED/TLMD3/TRIM/RD/BRS	ROUND BRASS
	TR-25444	LED/TLMD3/TRIM/RD/BK	ROUND BLACK
	TR-25447	LED/TLMD3/TRIM/RD/BN	ROUND BRUSHED NICKEL
	TR-25448	LED/TLMD3/WWTRIM/RD/WT	ROUND WHITE WALL WHASHER
	TR-25449	LED/TLMD3/WWTRIM/RD/BK	ROUND BLACK WALL WHASHER
4"	TR-25464	LED/TLMD4HO/TRIM/RD/BRS	ROUND BRASS
	TR-25466	LED/TLMD4HO/TRIM/RD/BK	ROUND BLACK
	TR-25467	LED/TLMD4HO/TRIM/RD/BN	ROUND BRUSHED NICKEL
	TR-25468	LED/TLMD4HO/WWTRIM/RD/WT	ROUND WHITE WALL WHASHER
	TR-25469	LED/TLMD4HO/WWTRIM/RD/BK	ROUND BLACK WALL WHASHER

AVAILABLE SNOOT OPTIONS

*SOLD SEPARATELY



3"

25415

FROST WHITE
SNOOT



3"

25416

BRASS FINISH
SNOOT



3"

25417

WOOD FINISH
SNOOT



3"

25418

MARBLE FINISH
SNOOT

SQUARE PLASTER FRAME OPTIONS

*SOLD SEPARATELY

MODEL	DESCRIPTION	TYPE	FINISH
SN-25415	LED/TLMD3/SNOOT/FR	3" SNOOT	FROST WHITE
SN-24516	LED/TLMD3/SNOOT/BRS	3" SNOOT	BRASS
SN-25417	LED/TLMD3/SNOOT/WOOD	3" SNOOT	WOOD
SN-25418	LED/TLMD3/SNOOT/MRBL	3" SNOOT	MARBLE

1" MULTI-HEAD PLASTER FRAME

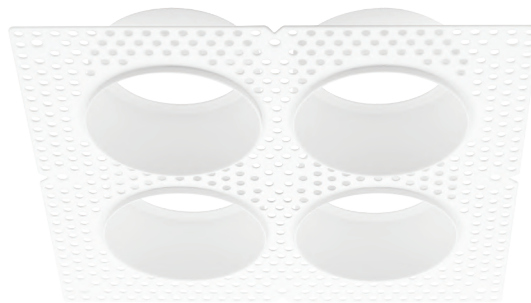
*SOLD SEPARATELY



25400
2 HEAD - PLASTER FRAME FOR 1"
CUTOUT: 5.5" x 2.5"



25401
3 HEAD - PLASTER FRAME FOR 1"
CUTOUT: 8.5" x 2.5"



25402
4 HEAD - PLASTER FRAME FOR 1"
CUTOUT: 5.5" x 5.5"

2" MULTI-HEAD PLASTER FRAME

*SOLD SEPARATELY



25403
2 HEAD - PLASTER FRAME FOR 2"
CUTOUT: 6.5" x 3"



25404
3 HEAD - PLASTER FRAME FOR 2"
CUTOUT: 10" x 3"



25405
4 HEAD - PLASTER FRAME FOR 2"
CUTOUT: 6.5" x 6.5"

3" MULTI-HEAD PLASTER FRAME

*SOLD SEPARATELY



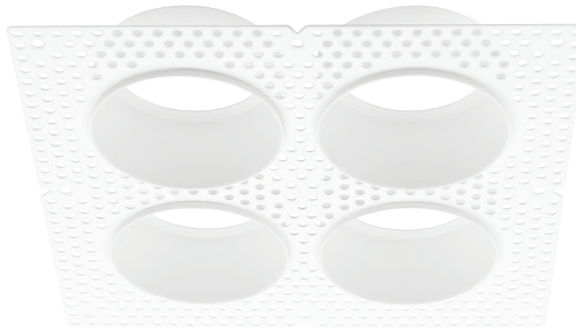
25457

2 HEAD - PLASTER FRAME FOR 3"
CUTOUT: 7" x 3.38"



25458

3 HEAD - PLASTER FRAME FOR 3"
CUTOUT: 10.62" x 3.38"



25459

4 HEAD - PLASTER FRAME FOR 3"
CUTOUT: 7" x 7"

4" MULTI-HEAD PLASTER FRAME

*SOLD SEPARATELY



25406

2 HEAD - PLASTER FRAME FOR 4"
CUTOUT: 9.5" x 4.5"



25407

3 HEAD - PLASTER FRAME FOR 4"
CUTOUT: 14.75" x 4.5"



5408

4 HEAD - PLASTER FRAME FOR 4"
CUTOUT: 9.5" x 9.5"

MULTI-HEAD PLASTER FRAME OPTIONS

* SOLD SEPARATELY

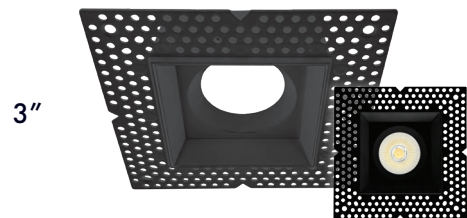
MODEL	DESCRIPTION	TYPE	FINISH
PL-25400	LED/TLMD1/PLT/2HD/WT	1" - 2 HEAD - PLASTER FRAME	WHITE
PL-25401	LED/TLMD1/PLT/3HD/WT	1" - 3 HEAD - PLASTER FRAME	WHITE
PL-25402	LED/TLMD1/PLT/4HDS/WT	1" - 4 HEAD - PLASTER FRAME	WHITE
PL-25403	LED/TLMD2/PLT/2HD/WT	2" - 2 HEAD - PLASTER FRAME	WHITE
PL-25404	LED/TLMD2/PLT/3HD/WT	2" - 3 HEAD - PLASTER FRAME	WHITE
PL-25405	LED/TLMD2/PLT/4HDS/WT	2" - 4 HEAD - PLASTER FRAME	WHITE
PL-25457	LED/TLMD3/PLT/2HD/WT	3" - 2 HEAD - PLASTER FRAME	WHITE
PL-25458	LED/TLMD3/PLT/3HD/WT	3" - 3 HEAD - PLASTER FRAME	WHITE
PL-25459	LED/TLMD3/PLT/4HDS/WT	3" - 4 HEAD - PLASTER FRAME	WHITE
PL-25406	LED/TLMD4/PLT/2HD/WT	4" - 2 HEAD - PLASTER FRAME	WHITE
PL-25407	LED/TLMD4/PLT/3HD/WT	4" - 3 HEAD - PLASTER FRAME	WHITE
PL-25408	LED/TLMD4/PLT/4HDS/WT	4" - 4 HEAD - PLASTER FRAME	WHITE

SQUARE PLASTER FRAME

* SOLD SEPARATELY



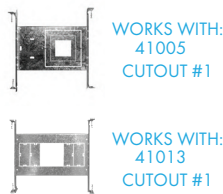
25424
SQUARE PLASTER FRAME FOR 3"
CUTOUT: 3.22" x 3.22"



25425
SQUARE PLASTER FRAME FOR 3"
CUTOUT: 3.22" x 3.22"

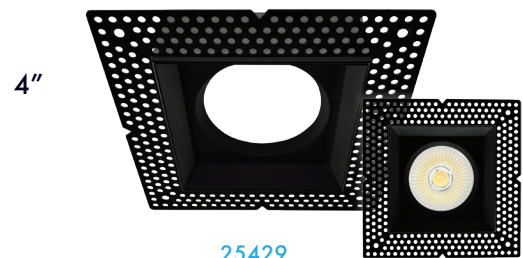


25428
SQUARE PLASTER FRAME FOR 4"
CUTOUT: 4.33" x 4.33"



WORKS WITH:
41005
CUTOUT #1

WORKS WITH:
41013
CUTOUT #1



25429
SQUARE PLASTER FRAME FOR 4"
CUTOUT: 4.33" x 4.33"

SQUARE PLASTER FRAME OPTIONS

* SOLD SEPARATELY

MODEL	DESCRIPTION	TYPE	FINISH
SP-25424	LED/TLMD3/TRIM/MESH/SQ/WT	SQUARE PLASTER FRAME	WHITE
SP-25425	LED/TLMD3/TRIM/MESH/SQ/BK	SQUARE PLASTER FRAME	BLACK
SP-25428	LED/TLMD4HO/TRIM/MESH/SQ/WT	SQUARE PLASTER FRAME	WHITE
SP-25429	LED/TLMD4HO/TRIM/MESH/SQ/BK	SQUARE PLASTER FRAME	BLACK

120-277V DRIVER

*SOLD SEPARATELY

	MODEL	DESCRIPTION	POWER	INPUT
15W	25456	LED/TLMD3/5CCT/UNV/DD/DRIVER	15	120-277V



WIRE EXTENDER

*SOLD SEPARATELY

48"

5426

LED/TLMD/48WIRE/EXT



120"

25427

LED/TLMD/120WIRE/EXT



COMPATIBILITY

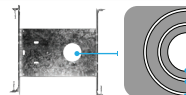
EM-35126

Emergency LED Driver



41002

New Construction Mounting Plate



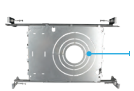
KNOCKOUTS

KNOCKOUT SIZE

#0	Ø3.14" (Ø80 mm)
#1	Ø4.33" (Ø110 mm)
#2	Ø6.29" (Ø160 mm)

41004

New Construction Mounting Plate



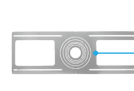
KNOCKOUTS

KNOCKOUT SIZE

#0	Ø2.125" (Ø54 mm)
#1	Ø2.83" (Ø72 mm)
#2	Ø3.75" (Ø95 mm)
#3	Ø5.19" (Ø132 mm)

41006

New Construction Mounting Plate



KNOCKOUTS

KNOCKOUT SIZE

#0	Ø2.12" (Ø54 mm)
#1	Ø3.15" (Ø80 mm)
#2	Ø3.75" (Ø95 mm)
#3	Ø4.25" (Ø108 mm)
#4	Ø5.25" (Ø132 mm)
#5	Ø6.25" (Ø159 mm)

41010

New Construction Mounting Plate



KNOCKOUT SIZE

#L0	Ø2.12" (Ø54 mm)
#L1	Ø2.83" (Ø72 mm)
#L2	Ø3.75" (Ø95 mm)

KNOCKOUTS

KNOCKOUT SIZE

#R0	Ø3.25" (Ø82 mm)
#R1	Ø4.33" (Ø110 mm)
#R2	Ø5.25" (Ø132 mm)
#R3	Ø6.25" (Ø160 mm)

41011

New Construction Mounting Plate

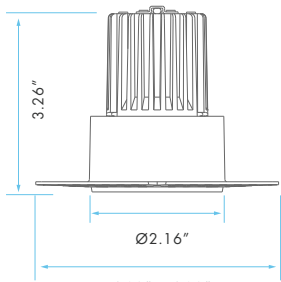


KNOCKOUTS

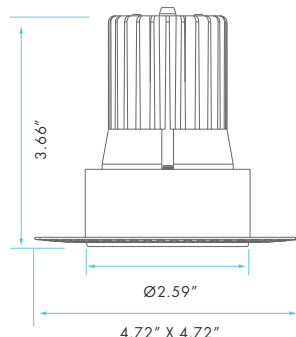
KNOCKOUT SIZE

#0	Ø2.48" (Ø63 mm)
#1	Ø2.83" (Ø72 mm)
#2	Ø3.34" (Ø85 mm)
#3	Ø3.74" (Ø95 mm)
#4	Ø4.25" (Ø108 mm)

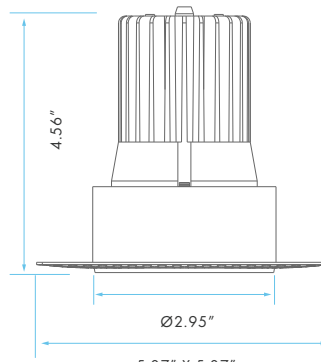
DIMENSIONS



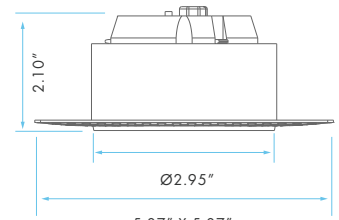
4.23" X 4.23"
1" TRIMLESS
CUTOUT: Ø 2.5"



4.72" X 4.72"
2" TRIMLESS
CUTOUT: Ø 3"

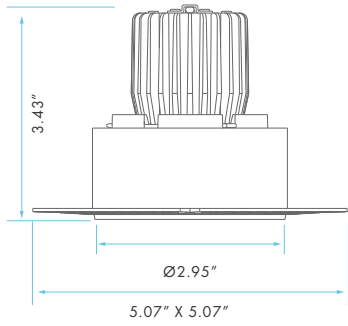


5.07" X 5.07"
3" TRIMLESS
CUTOUT: Ø 3.38"

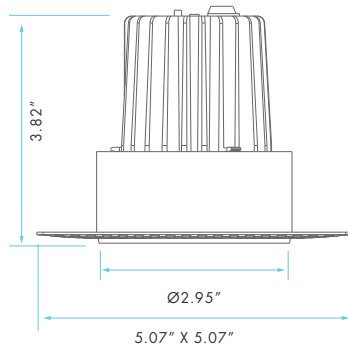


5.07" X 5.07"
3" TRIMLESS - FLOATING GIMBAL
CUTOUT: Ø 3.38"

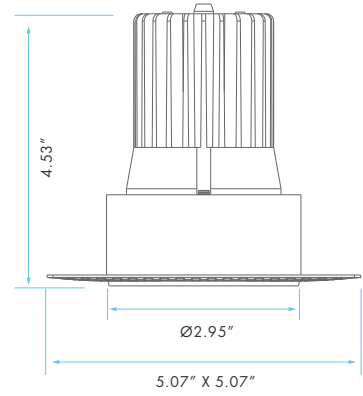
DIMENSIONS



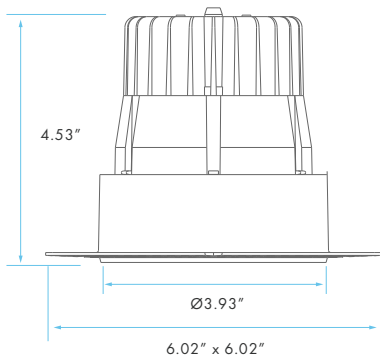
3" TRIMLESS - GIMBAL
CUTOUT: Ø 3.38"



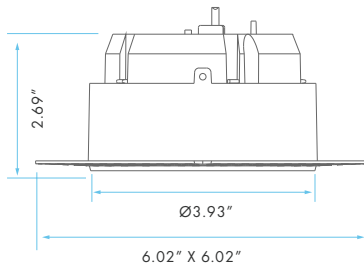
3" TRIMLESS - FLAT
CUTOUT: Ø 3.38"



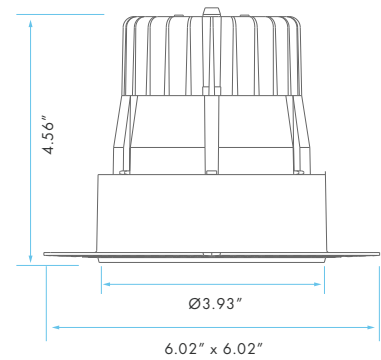
3" TRIMLESS - ZOOMABLE
CUTOUT: Ø 3.38"



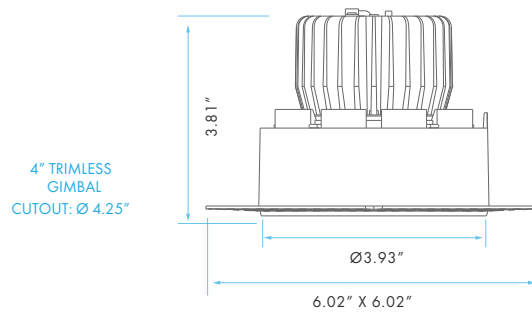
4" TRIMLESS - ZOOMABLE
CUTOUT: Ø 4.25"



4" TRIMLESS - FLOATING GIMBAL
CUTOUT: Ø 4.25"



4" TRIMLESS
CUTOUT: Ø 4.25"



4" TRIMLESS
GIMBAL
CUTOUT: Ø 4.25"