

**INTRODUCTION**

**GTE2103: LED POST TOP LIGHT**

**FEATURE**

- Modern Post Top Area Lighting
- Easy Installation and Maintenance
- Low-glare Uniform Light Distribution
- Color Rendering Index RA90
- Long Lifespan >50,000hours
- Working Temperature: -30℃~50℃

**MAIN MATERIAL**

- LED Brand: GUBO
- Driver Brand: GUBO
- Housing: Die-casted Aluminum Module
- Optics: High Efficiency White PCB Reflector
- Diffuser: Anti-UV PC Opal Diffuser

**INSTALLATION**

- Mounting Slip Fitter [FSC]: Φ78mm or Φ114mm
- Suitable for Road Light, like Street, Park.....

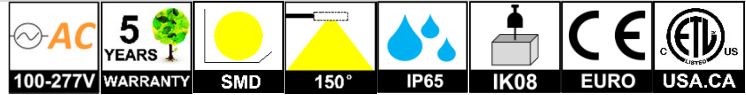
**STANDARD**

- Designed and Manufactured to Comply with CE/RoHS/CB/cETL/SAA Standard
- Withstand Voltage: 3.75KV, Surge: 6KV
- IP65 Protection, Class I Electric

**OPTION**

- LED CCT: 1,800K~10,000K/R/G/B/A
- [CRI]: [E] RA80, [G] RA90, [H] RA97
- [POST]: Height 3.5M/4.5M/6M
- Custom Housing Finish: Colors by RAL Code

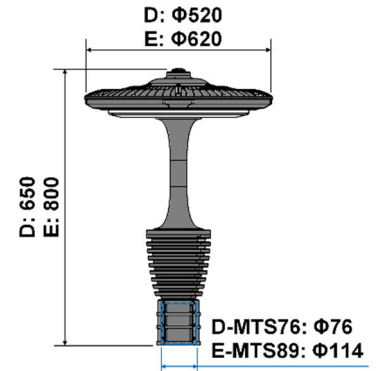
<b>WHITE</b> RAL9010P	<b>BLACK</b> RAL9005P	<b>GREY</b> RAL7042P	<b>DARK GREY</b> RAL7016P
--------------------------	--------------------------	-------------------------	------------------------------



**CASE STUDY:**



**DIMENSION: [UNIT: MM]**



MODEL	POWER [W]	LED TYPE	CCT [K]	CRI	FLUX [LM]	POWER FACTOR	BEAM ANGLE	OPTIONAL DIMMING	INPUT [V]		
GTE2103D	40W [30W]	144x2W SMD3030	G2700K	RA90	2800	>0.9	[Symmetric] T5:150°	[CDT]: TRIAC(15%) [CDV]: 0/1~10V(8%) [CDV0]: 0~10V(1%) [CDV1]: 1~10V(15%) [CDX]: DMX512(1%) [CDA]: DALI(1%) [CDP]: PWM(1%)	AC100~277V [AC100~240V] [AC100~347V] [AC180~528V] 50/60Hz		
			G3000K	RA90	3030						
			G3500K	RA90	3030						
			G4000K	RA90	3250						
			G5000K	RA90	3250						
	80W [60W]	144x2W SMD3030	G6500K	RA90	3170						
			G2700K	RA90	5620						
			G3000K	RA90	6050						
			G3500K	RA90	6050						
			G4000K	RA90	6490						
2C@80W	TWG	G2700K G6500K	RA90	4060	>0.7						
3C@80W	RGB	620nm 520nm 465nm	\	4060	>0.6						
4C@80W	RGBW	620nm 520nm 465nm 2700K	\	4060	>0.6						
4C@80W	RGBA	620nm 520nm 465nm 590nm	\	4060	>0.5						
GTE2103E	60W [40W]	192x2W SMD3030	G2700K	RA90	4210	>0.9	[Symmetric] T5:150°	[ CV DC24V ] [ CV DC48V ]			
			G3000K	RA90	4540						
			G3500K	RA90	4540						
			G4000K	RA90	4870						
			G5000K	RA90	4870						
			G6500K	RA90	4750						
	120W [80W]	192x2W SMD3030	G2700K	RA90	8420	>0.9					
			G3000K	RA90	9080						
			G3500K	RA90	9080						
			G4000K	RA90	9730						
			G5000K	RA90	9730						
			G6500K	RA90	9350						
			2C@120W	TWG	G2700K G6500K				RA90	6100	>0.7
			3C@120W	RGB	620nm 520nm 465nm				\	6100	>0.6
4C@120W	RGBW	620nm 520nm 465nm 2700K	\	6100	>0.6						
4C@120W	RGBA	620nm 520nm 465nm 590nm	\	6100	>0.5						

**NOTE:**

All parameters are measured at 25℃ ambient temperature, 35% humidity experimental environment. Tolerances of power and luminous flux are ±10%, tolerance of color rendering index is ±5.