

PROJECT \_\_\_\_\_

FIXTURE TYPE \_\_\_\_\_

Product SPECIFICATION Sheet

## **CIP CS-7 series S101-PCXX / Patented**

---

**CIP** LIGHTING

info@ciplighting.com

+1 803 766 0243

### **CIP CS-7 series S101-PCXX 360°**

#### **The Soul of the Cities**

-Creating an appealing, comfortable atmosphere with its own color signature -Coming with more energy savings and enabling Smart City management



info@ciplighting.com

www.ciplighting.com

## Product description

At a time of rapidly changing social practices, every city is looking to be more attractive, welcoming, convenient and safe. CIP CS-7 is a post-top ambient LED luminaire designed to create a comfortable and pleasant atmosphere that puts the users of public spaces at ease. A slim, discreet presence during the day, and brings urban spaces to life at night. It offers a palette of environmental lighting effects to give projects a unique contextual or aesthetic touch. The flexible, modular LED engine comes with a range of columns and a wide variety of optics and effects, enabling architects and lighting designers to create a unified, consistent lighting design that still reflects the differences in urban culture and history

CIP CS-7 series delivers a visually comfortable volume of light and gives the city its own color signature. It combines comfortable, high-efficiency lighting with a refined visual personality, and being designed for installation heights of 3.5 to 8 m, this stylish, modern fixture enhances the ambiance in any streetscape, be it historical or contemporary. CitySoft™ Amazing has an exclusive light signature with the ingenious designing of optics opal polycarbonate that delivering visual-comfort elements, 360° full beam lighting, uniform for horizontal and vertical, as well ensures glare-free illumination. It provides a comfortable and safe atmosphere to gardens, residential areas, courtyards, side streets, squares, parks & playgrounds

CIP CS-7 series also plays a role as an ideal choice for Smart City management system. It provides dimmable, DALI control, Photo control, Motion sensor control and Zigbee for not only more energy savings but also smart city managing. In addition, CitySoft™ Amazing represents a futureproof investment. The dome of the luminaire, which incorporates the LED module and the driver, is fully replaceable so you can benefit from future developments in LEDs and their associated efficiencies.

CIP CS-7 series uses the high-performance LED engine with latest LED performance and a wide range of optics to latest standards. Its highly efficient thermal system design ensures maximum heat transfer and longer LED service life. This reliable luminaire system operates well in both low and high temperature environments. It offers more than 10 years expected life, reducing maintenance frequency and cost (based on a 50,000 hours rated life and 12 hours operation per day).

## Features

- High visual comfort
- High performance optics and uniform light distribution
- High output efficacy up to 125 LPW
- Compact and ultra-thin lamp body
- Body designed to prevent fitting from water, dust, and bird droppings etc.,
- Self-cleaning
- Post-top and tool-less opening
- Easy and Fast installation and maintenance for human costs savings
- Replaceable LED units
- Replaceable driver unit and control gear
- 0-10V & 1-10V dimmable, DALI Control gear, Timing dimmable, Zigbee for Smart City management
- Photo sensor control 3P 5P 7P NEMA Socket & Twist-lock Receptacle
- Motion Sensor control with Tri-level & 3-step dimming or Daylight harvesting
- Wireless lighting control system
- Common mode surge protection 6KV and Customized achievable up to 20KV 10A
- Die-cast aluminum optical assembly, lid, body and arms, thickness 4mm
- Specialized corrosion resistant polyester Dual Powder Coating finish for outdoor
- Polycarbonate with texture for a high uniformity of the light beam from Mitsubishi
- Polycarbonate thickness 4mm, UV resistant F1 and Fire rating V0
- All external screws are in AISI 304 stainless steel
- No photobiological risk
- Pole-top installation on poles with ending part Ø60 mm and Ø50 mm

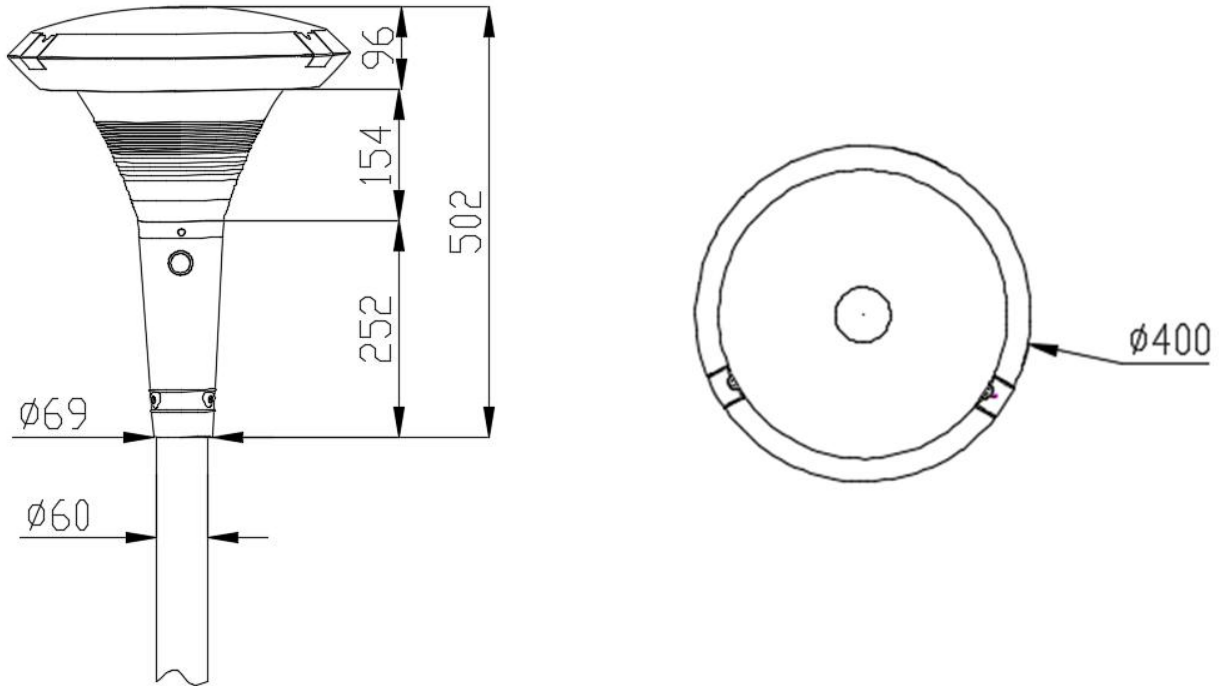
## Benefits

- City visual comfortable
- Less investment and Shorter Return on investment period
- Lower energy consumption by up to 80%, with a corresponding reduction in CO2 emissions
- Less and Easier maintenance
- Future-proof
- Smart & Intelligent lighting control comes true
- City-attractive, welcoming, convenient and safe

## Applications

Urban road, Urban landscape, Plaza lighting, Park landscape, Urban green belt lighting, Commercial street, Outdoor Parking lot, Rural road, Riverside lighting, Lakeside lighting, Residential lighting, Pathway etc.,

**Dimension drawings**



**Specification & Performance Summary**

- Die-casting Aluminum with PC Optical lens and Optics Polycarbonate diffuser
- Post-top mounting with Ø60mm pole offered as standard, Ø50mm pole offered as customized
- Specialized dual powder coating finishing for outdoor application
- Standard color Grey (RAL Pending). RAL & Customized color available with MOQ 100pcs
- Input voltage 100-277Vac and 220-240Vac for DALI version
- PF>0.92 at full load. THD<10% at full load.
- Integral 6KV surge protection offered as standard (DALI version 10KV). 10KA 20KA SPD offered as customized
- Rated IP66 IK10 UV-Resistant and Fired rated. Complies with the materials of RoHS
- Light source: Built-in Integral LED Module Replaceable
- Luminaire output efficacy up to 125 LPW. Minimum CRI 70 offered as standard. 80&90 CRI offered as customized
- CCT 2200K, 2700-3000K, 3700-4000K, 4700-5000K, 5400-5700K offered as standard
- Light distribution 360° with ingenious scattering reflection design. Visual comfortable and Glare Free. SDCM<3
- Projected L90B10>50,000 hours at Ta=25°C. 10 Years warranty
- Projected LED failure rate 0.1% ≤ 50,000 hours. Projected Driver failure rate ≤ 0.1% per 10,000 hours
- Operating temperature rated at -40°C to 50°C
- All external screws are in AISI 304 stainless steel. Screw connection block or as option an external IP connector
- 0.5m outlet Input cable offered as standard and customized cable length is acceptable

**Specification details**

**Product name: CIP CS-7 Post-top PC360**

Series No.: CIP- EW-S101PCXX-Axxx. **“A” means Non-dimmable;** “xxx” means wattage

Model No.	Input wattage	LPW	Certification			
CIP-EW-S101PCXX-A 025	24.5W	120-125	CE RoHS SAA C-tick ETL			
CIP-EW-S101PCXX-A 035	36.0W	115-120	CE RoHS SAA C-tick ETL <b>DLC</b>			
CIP-EW-S101PCXX-A 060	57.0W	120-125	CE RoHS SAA C-tick ETL <b>DLC</b>			
CIP-EW-S101PCXX-A 080	80.5W	110-115	CE RoHS SAA C-tick ETL			

Notes 1: DLC for Model 24.5W and 80.5W will be available soon

Series No.: CIP-EW-S101PCXX-Bxxx. **“B” means 1-10V & 0-10V dimmable;** “xxx” means wattage

Model No.	Input wattage	LPW	Certification			
CIP-EW-S101PCXX-B0 25	24.5W	120-125	CE RoHS SAA C-tick ETL			
CIP-EW-S101PCXX-B0 35	36.0W	115-120	CE RoHS SAA C-tick ETL <b>DLC</b>			
CIP-EW-S101PCXX-B0 60	57.0W	120-125	CE RoHS SAA C-tick ETL <b>DLC</b>			
CIP-EW-S101PCXX-B0 80	80.5W	110-115	CE RoHS SAA C-tick ETL			

Notes 1: DLC for Model 24.5W and 80.5W will be available soon

Notes 2: 1-10V & 0-10V can NOT be dim-to-off

Series No.: CIP-EW-S101PCXX-Cxxx. **“C” means Timer dimmable with 3 timer modes;** “xxx” means wattage

Model No.	Input wattage	LPW	Certification			
CIP-EW-S101PCXX-C025	24.5W	120-125	CE RoHS SAA C-tick ETL			
CIP-EW-S101PCXX-C035	36.0W	115-120	CE RoHS SAA C-tick ETL <b>DLC</b>			
CIP-EW-S101PCXX-C060	57.0W	120-125	CE RoHS SAA C-tick ETL <b>DLC</b>			
CIP-EW-S101PCXX-C080	80.5W	110-115	CE RoHS SAA C-tick ETL			

Notes 1: DLC for Model 24.5W and 80.5W will be available soon

Notes 2: Regular timing curve setting by manufacturer is: 50% as start---1 hour later 100%---5 hours later 50%---2 hours later 30%---4 hours later 100%---1 hour later 30%. Kindly advise if you have special request before ordering

Notes 3: MOQ 50pcs

Series No.: CIP-EW-S101PCXX-Dxxx. **“D” means DALI control;** “xxx” means wattage

Model No.	Input wattage	LPW	Certification			
CIP-EW-S101PCXX-D025	24.5W	120-125	CE RoHS SAA C-tick ETL			
CIP-EW-S101PCXX-D035	35.0W	115-120	CE RoHS SAA C-tick ETL			
CIP-EW-S101PCXX-D060	55.0W	120-125	CE RoHS SAA C-tick ETL			
CIP-EW-S101PCXX-D080	80.5W	110-115	CE RoHS SAA C-tick ETL			

Notes 1: DLC would be available upon request

Notes 2: Dim-to-off

Notes 3: Surge protection 10kV

Notes 4: Suitable for Insulation Class II luminaire

Notes 5: Complies with Zhaga Interface Specification Book 13

Notes 6: 220-240Vac Input only

Notes 7: MOQ 50pcs

Series No.: CIP-EW-S101PCXX-Exxx. **“E” means Photoelectric control;** “xxx” means wattage

Model No.	Input wattage	LPW	Certification			
CIP-EW-S101PCXX-E0 25-3P	24.5W	120-125	CE RoHS SAA C-tick ETL			
CIP-EW-S101PCXX-E0 25-5P	24.5W	120-125	CE RoHS SAA C-tick ETL			
CIP-EW-S101PCXX-E0 25-7P	24.5W	120-125	CE RoHS SAA C-tick ETL			
CIP-EW-S101PCXX-E0 35-3P	36.0W	115-120	CE RoHS SAA C-tick ETL <b>DLC</b>			
CIP-EW-S101PCXX-E0 35-5P	36.0W	115-120	CE RoHS SAA C-tick ETL <b>DLC</b>			
CIP-EW-S101PCXX-E0 35-7P	35.0W	115-120	CE RoHS SAA C-tick ETL			
CIP-EW-S101PCXX-E0 60-3P	57.0W	120-125	CE RoHS SAA C-tick ETL <b>DLC</b>			
CIP-ECIP-W-S101PCXX-E0 60-5P	57.0W	120-125	CE RoHS SAA C-tick ETL <b>DLC</b>			
CIP-EW-S101PCXX-E0 60-7P	55.0W	120-125	CE RoHS SAA C-tick ETL			
CIP-EW-S101PCXX-E0 80-3P	80.5W	110-115	CE RoHS SAA C-tick ETL			
CIP-EW-S101PCXX-E0 80-5P	80.5W	110-115	CE RoHS SAA C-tick ETL			
CIP-EW-S101PCXX-E0 80-7P	80.5W	110-115	CE RoHS SAA C-tick ETL			

Notes 1: 3P means 3pin NEMA Socket & Twist-lock receptacle with Photoelectric control & on and off function

Notes 2: 5P means 5pin NEMA Socket & Twist-lock receptacle with Photoelectric control & tri-level dimming

Notes 3: 7P means 7pin NEMA Socket & Twist-lock receptacle with Photoelectric control & DALI control

Notes 4: DLC for Model 24.5W and 80.5W will be available soon

Notes 5: DLC for 7P NEMA Socket & Twist-lock receptacle & DALI control would be available upon request

Notes 6: 220-240Vac Input only for 7P NEMA Socket & Twist-lock receptacle & DALI control

Notes 7: MOQ 50pcs for 7P NEMA Socket & Twist-lock receptacle & DALI control

**Accessories**

3Pin NEMA Socket & Twist-lock receptacle USD\$9.0

5Pin NEMA Socket & Twist-lock receptacle USD\$21.0 Must work with 1-10V&0-10V dimmable driver

7Pin NEMA Socket & Twist-lock receptacle USD\$25 Must work with 1-10V&0-10V dimmable or DALI driver

Shorting cap USD\$9.00

Series No.: CIP-EW-S101PCXX-Fxxx. **"F"** means Microwave motion sensor with tri-level dimming; "xxx" means wattage

Model No.	Input wattage	LPW	Certification			
CIP-EW-S101PCXX-F0 25	24.5W	120-125	CE RoHS SAA C-tick ETL			
CIP-EW-S101PCXX-F0 35	36.0W	115-120	CE RoHS SAA C-tick ETL <b>DLC</b>			
CIP-EW-S101PCXX-F0 60	57.0W	120-125	CE RoHS SAA C-tick ETL <b>DLC</b>			
CIP-EW-S101PCXX-F0 80	80.5W	110-115	CE RoHS SAA C-tick ETL			

Notes 1: Tri-level diming control based upon occupancy (also known as corridor function)

Notes 2: 24-hour daylight monitoring dawn / dusk sensor

Notes 3: Sensor and control device are built in the luminaire

Notes 4: Max mounting height 8m. >8m installation contact manufacturer for availability

Notes

1. 60mm Pole installation offered as standard. 50mm Pole installation Extra USD\$11.00 per unit
2. Customized color & RAL is available with MOQ 100pcs
3. 10KA Surge protection Extra USD\$12.0. 20KA Surge protection Extra USD\$15.0
4. Minimum CRI80 and Minimum CRI90 available upon request with MOQ 50pcs
5. IP connector Extra USD\$5.0 per unit
6. Customized input cable length available