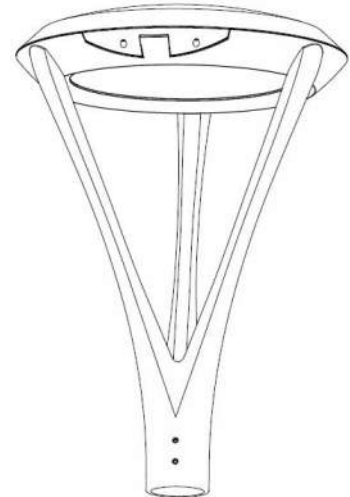
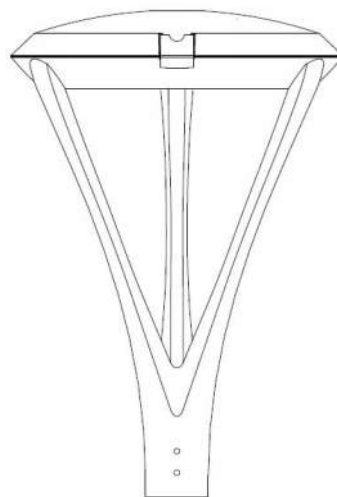
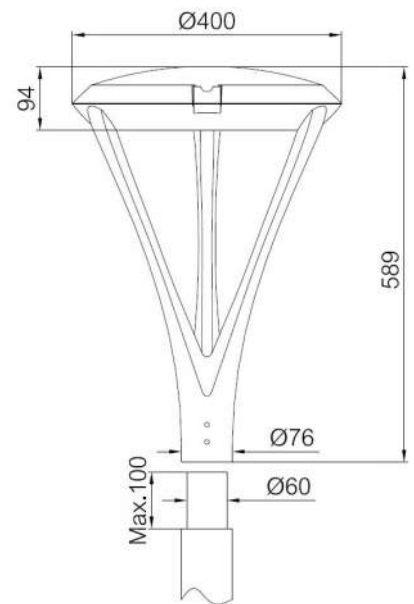


Unni 73 presents a new paradigm that takes urban street lighting mainstream to a new benchmark in Visual Comfort. It's a groundbreaking creation that delivers unparalleled design freedom, maximum energy efficiency and unrivaled optical and brightness control. In addition to the striking form of seamless construction, the fixture blends high performance optics, controls, scalability and mounting options to cover more applications and enhance the environment they occupy



Net weight: 8.8Kg

EPA: 0.83 (Sq. Ft.)



Applications

City centers, Commercial districts, Parks and Plazas, Urban landscape, Urban green belt, Rural road, Riverside, Lakeside, Residential areas, Pathway etc.,

Features

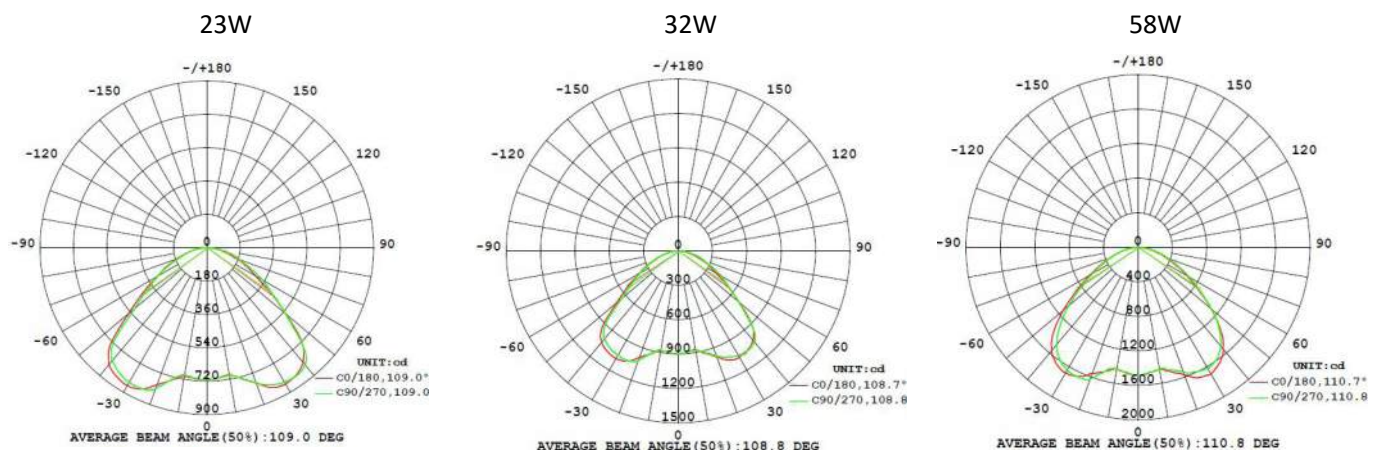
The Unni 73 is designed to the highest standards of excellence and quality with attention focused on the finest details to aid light performance and maintenance

- Uniform and Soft light distribution delivers High visual comfort
- Body designed to prevent fitting from water, dust, and bird droppings etc.,
- Self-cleaning and Tool free entry
- Replaceable driver unit and control gear
- 0-10V & 1-10V dimmable, DALI Control gear, Timer control, Zigbee control for Smart City management
- Photo sensor control 3P 5P 7P NEMA Socket & Twist-lock Receptacle
- Attached Microwave Motion Sensor available
- PIR Motion Sensor with Bi-level dimming and as option Bluetooth add-on enables remote sensor programming
- Common mode surge protection 6KV and Customized achievable up to 10KA and 20KA for option
- An integrated Urban Styling lighting toolbox designed for many different urban applications
- Future-proof
- City-attractive, welcoming, convenient and safe

Specifications

Nominal Wattage	Distribution	2700K CRI>80				4000K CRI>70				5000K CRI>70						
		Lumen	BUG Rating			lm/w	Lumen	BUG Rating			lm/w	Lumen	BUG Rating			lm/w
			B	U	G			B	U	G			B	U	G	
23.0W	Type V					2220	1	1	1	96.5						
32.0W	Type V					3216	1	1	1	100.5						
58.0W	Type V					5800	2	1	1	100.0						

Light distribution curve



Construction & Housing

- IP66 Rated housing is cast from corrosion resistant aluminum, maintaining strength and precision to sustain long term dayform appearance and service life
- IK08 rated enclosure protects electrical equipment against external mechanical impacts
- Aluminum die-casting is designed as one-piece with internal cooling fins
- Stable mechanical system prevents damage from installation generated vibration
- Molded silicone gasket throughout ensures the sealing and provides ingress protection
- Body designed to prevent fitting from water, dust, bird droppings etc., and reachable with Self-cleaning
- Tool-less opening

Finish

- Utilizes premium ultra-weatherable **AKZO** polyester powder coatings to withstand extended outdoor exposure, providing excellent resistance to corrosion, ultraviolet degradation and abrasion under **10 years lifetime**
- Good film appearance combined with excellent mechanical and exterior exposure qualities display greater than twice as much gloss retention
- **Special Seaside application finishing with 10 years guarantee** is provided at MOQ 200pcs
- Finish is compliant with 1500hrs salt spray. **3000hrs salt spray is provided** at MOQ 500pcs
- Standard color includes Dark Bronze (RAL8019), Anthracite Grey (RAL7016) and Black (RAL9005)
- RAL & Customized color available with MOQ 200pcs

Optic

- Specifically designed for pedestrian applications
 - Optical PMMA LGP plus high-degree diffusion outdoor PC lens produces symmetric Type V light distribution.
- The LGP is manufactured from precision injection molded PMMA resulting in a pixelation free optical image for
- improved glare control and visual comfort

Light Performance

- High Visual comfort and Glare Free. SDCM<3
- Soft and uniform light distribution. Symmetric 110° Soft Uniform Anti-glare
- Luminaire output efficacy up to 100 LPW
- CCT 2200K, 2700K, 4000K, 5000K and 6000K offered as standard. **Amber color offered as customized**
- 2200K and 2700K at Minimum CRI 80; 4000K, 5000K and 6000K at Minimum CRI 70. **Customized CRI is Provided**
- EPA (Effective Projected Area): 0.83 (Sq. Ft.)

Electrical

- LED driver & electric parts are directly mounted to upper housing thermal pad for optimal thermal performance
- Protection Class I offered as standard. **Class II offered as customized**
- Input voltage 100-277Vac 50/60Hz. 347V-480Vac 60Hz contact manufacturer for availability
- PF>0.92 at full load. THD<10% at full load.
- Integral 6KV surge protection offered as standard (DALI version 10KV). **10KA 20KA SPD offered as customized**
- Replaceable driver unit and control gear
- Powered off automatically when opening the fixture

Dimming and Controls

- 0-10V & 1-10V dimmable, dimming range from 10% to 100%
- DALI Control gear dim-to-off
- Timer dimmable with 3 timer modes: Self Adapting-Midnight; Self Adapting-Percentage and Traditional timer
- 3P NEMA Socket, traditional on/off photoelectric control
- 5P NEMA Socket, wireless photoelectric control for added dimming feature
- 7P NEMA Socket, wireless photoelectric control for dimming and additional I/O connections for customer use
- Wireless Controls: On-Fixture Module with 7P NEMA Socket as Zigbee communication
- Integrated Microwave Motion sensor--on/off
- Detached dimming and occupancy Microwave Motion sensor for added dimming feature
- PIR Motion Sensor with Bi-level dimming and as option Bluetooth add-on enables remote sensor programming
- **Osram OPTOTRONIC driver offered as customized 4DIM in one device (StepDIM, AstroDIM, MainsDIM, DALI)**

Mountings

- 76mm (3.0'') Post-top mount for 60mm (2-3/8'') OD Tenon
- 89mm (3.5'') Post-top mount for 76mm (3'') OD Tenon
- Flush mount 60mm (2-3/8'') O.D. Pole
- Flush mount 76mm (3.0'') O.D. Pole

Installations and Maintenance

- Operating temperature Suggested at -30°C to 35°C
- Suggested installation height 2.5m(8ft) to 6.0m(20ft)
- Pole-top installation on poles with ending part Ø60mm and Ø76mm
- Tool-less opening and Easy maintenance on-site
- All external screws are in AISI 304 stainless steel. Screw connection block or as option an external IP connector
- 0.5m outlet Input cable offered as standard and customized cable length is acceptable
- Body designed to prevent fitting from water, dust, and bird droppings etc.,
- Self-cleaning

Lumens maintenance and Warranty

Ambient temperature	TM-21 Lumen Maintenance (60,000 Hours)	Calculated L85 (Hours)	Warranty time
25°C	>93%	>60,000	5 Years
30°C	>88%	>60,000	5 Years
35°C	>80%	>50,000	3 Years

CAUTION

Fixtures must be grounded in accordance with national, state and/or local electrical codes. Failure to do so may result in serious personal injury