

## WILMAR-OFQ

L70  
25°C

187,000 Hours

### Round Bulkhead Open Frame



The WILMAR Round Bulkhead is designed to replace HID lighting systems up to 250w MH or HPS. The open door frame allows for maximum light output. Typical applications include office and public buildings, condominiums, schools, shopping malls, and hospitality. Recommended mounting heights are 8 to 20 feet.

#### Specifications and Features:

##### Housing:

Die Cast Gasketed Aluminum Open Front Frame and Housing with Integral Heat Sinking and Driver Compartment. Nickel-Plated Stainless Steel Hardware. Photocell Adaptable.

##### Listing & Ratings:

ETL: Listed for Wet Locations, ANSI/UL 1598, 8750; IP66 Sealed LED Compartment.

##### Finish:

Textured Architectural Bronze Powdercoat Finish Over a Chromate Conversion Coating. Custom Colors Available Upon Request.

##### Lens:

SoftLED LumaLens UV-Stabilized Polycarbonate Opal Vandal-Resistant Lens Eliminates LED Hot Spots

##### Mounting Options:

Surface Mount

##### EasyLED LED:

Aluminum Boards

##### Wattage:

Array: 12w,	System: 12.9w;	(100w	HID	Equivalent)
Array: 17w,	System: 18.1w;	(100w	HID	Equivalent)
Array: 25w,	System: 27.1w;	(250w HID Equivalent)		

##### Driver:

Electronic Driver, 120-277V, 50/60Hz, 347V, 50/60Hz or 480-347V, 50/60Hz; Less Than 20% THD and PF>0.90. Standard Internal Surge Protection 2kV. 0-10V Dimming Standard for a Dimming Range of 100% to 10%; Dimming Source Current is 150 Microamps.

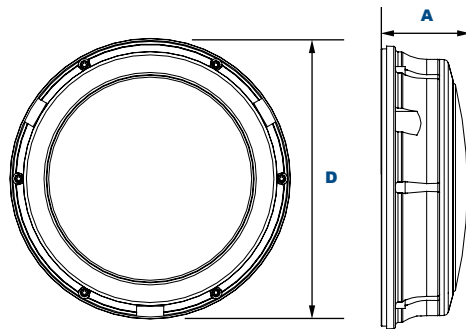
##### Controls:

Fixtures Ordered with Factory-Installed Photocell or Motion Sensor Controls are Internally Wired for Switching and/or 1-10V Dimming Within the Housing. Remote Direct Wired Interface of 1-10V Dimming is Not Implied and May Not Be Available, Please Consult Factory. Fixtures are Tested with our Controls and May Not Function Properly With Controls Supplied By Others. Fixtures are NOT Designed for Use with Line Voltage Dimmers.

##### Warranty:

5-Year Warranty for -40°C to +50°C Environment.

See Page 3 for Projected Lumen Maintenance Table.



#### Dimensions

<b>Diameter (D)</b>	12½" (318mm)
<b>Height (A)</b>	3 <sup>15</sup> / <sub>16</sub> " (100mm)

#### Project Information:

Project Name:	Fixture Type:
Complete Catalog #:	Date:
Comments:	

#### Certification & Listings:



SoftLED

**ORDER INFORMATION EXAMPLE WILMAR-OFQ-F-1X12W-U-3K-L-Z-SF**

F		L					
Model	Optics	Wattage	Driver	CCT	Lens	Color	Options
<b>WILMAR-OFQ</b> =EasyLED Excel Round Bulkhead Open Frame	F=Type V	<b>1X12</b> =12w <b>1X17</b> =17w <b>1X25</b> =25w	<b>U</b> =120-277V <b>C</b> =347V* <b>H</b> =347-480V♦  *17w Only ♦25w Only	<b>3K</b> =3000K <b>4K</b> =4000K <b>5K</b> =5000K	<b>L</b> =SoftLED LumaLens Opal UV-Stabilized Polycarbonate Array Lens	<b>Z</b> =Bronze <b>W</b> =White <b>C</b> =Custom (Consult Factory)	<b>SF</b> =Single Fuse* <b>DF</b> =Double Fuse* <b>SP</b> =Surge Protector <b>PC3</b> =Photocell, 120-277VAC <b>S2</b> =Microwave Sensor with Dimming for Mounting Heights of 8' to 40'.* <b>S4</b> =Microwave On/Off Motion Sensor for Mounting Heights of 8' to 19'.* <b>BU</b> =Battery Backup, 90 Minutes* <b>BUC</b> =Cold Start Battery Backup, -20°C, 90 Minutes*  *120-277V Models Only

**Accessories & Replacement Parts:**

Replacement Parts (Order Separately, Field Installed)	
P18103	120-277VAC Photocell
P17117	Internal Microwave Sensor with Dimming for Mounting Heights of 8 to 40'. 120-277VAC, 50/60Hz.
P17123	Internally Mounted Microwave On/Off Motion Sensor for Mounting Heights of 8' to 19', 120-277VAC, 50/60Hz
For Replacement Battery Backup, see the LEPG LED Battery Backup Specification Sheet.	



**P18103**

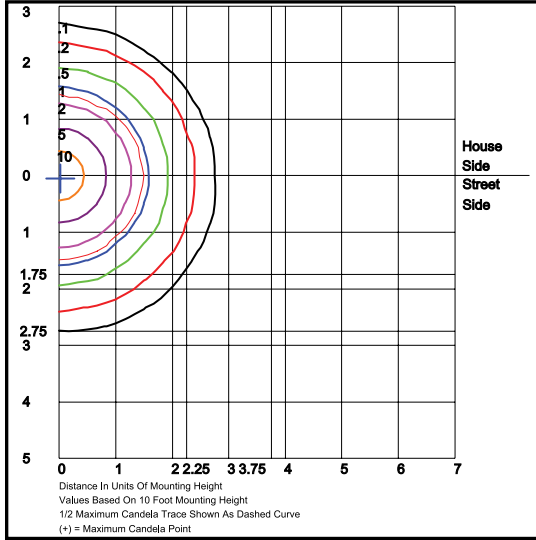


**P17117**



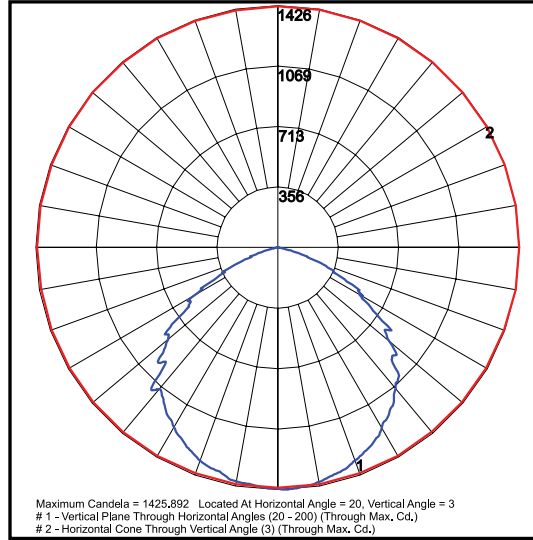
**P17123**

### Photometric Data



**WILMAR-OFQ-F-1X25-U-5K Type V**

Grid in MH  
MH=10 Feet



**WILMAR-OFQ-F-1X25-U-5K Type V**

### Photometric Performance

		Wattage (Catalog Logic)	12W (1X12)	17W (1X17)	25W (1X25)
<b>Input Watts</b>			12.9W	18.1W	27.1W
<b>F = Type V</b>	<b>Optic</b>	<b>CCT</b>	<b>Delivered Lumens</b>		
		3000K	1,586	2,220	3,330
		4000K	1,720	2,408	3,613
		5000K	1,792	2,509	3,763
	<b>BUG Rating</b>	B1-U1-G0	B1-U1-G0	B2-U1-G0	

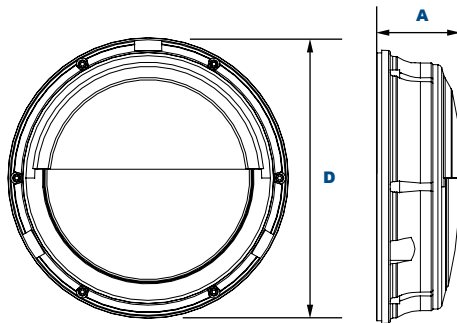
### Projected Lumen Maintenance

Data shown for 5000 CCT		Compare to MH				
TM-21-11	Input Watts	Initial	25,000 Hrs	50,000 Hrs	100,000 Hrs	Calculated LED Life
<b>L70 Lumen Maintenance @ 25°C / 77°F</b>	All wattages up to and including 27w	1.00	0.96	0.92	0.84	187,000
<b>L70 Lumen Maintenance @ 50°C / 122°F</b>		1.00	0.96	0.91	0.82	113,000
<b>L80 Lumen Maintenance @ 40°C / 104°F</b>		1.00	0.94	0.89	0.77	88,000

**NOTES:**  
 1. Projected per IESNA TM-21-11. Data references the extrapolated performance projections for the base model in a 25°C ambient, based on 10,000 hours of LED testing per IESNA LM-80-08.  
 2. Compare to MH box indicates suggested Light Loss Factor (LLF) to be used when comparing to Metal Halide (MH) systems.

## WILMAR-HCQ Round Bulkhead Half Cutoff

**L70**  
25°C **187,000 Hours**



### Dimensions

<b>Diameter (D)</b>	12½" (318mm)
<b>Height (A)</b>	4¾" (111mm)

### Project Information:

Project Name:	Fixture Type:
Complete Catalog #:	Date:
Comments:	

The WILMAR Round Bulkhead is designed to replace HID lighting systems up to 250w MH or HPS. The half-cutoff frame helps protect the UV-Stabilized Polycarbonate lens and adds a decorative appearance. Typical applications include office and public buildings, condominiums, schools, shopping malls, and hospitality. Recommended mounting heights are 8 to 20 feet.

### Specifications and Features:

#### Housing:

Die Cast Gasketed Aluminum Half Cutoff Front Frame and Housing with Integral Heat Sinking and Driver Compartment. Nickel-Plated Stainless Steel Hardware. Photocell Adaptable.

#### Listing & Ratings:

ETL: Listed for Wet Locations, ANSI/UL 1598, 8750; IP66 Sealed LED Compartment.

#### Finish:

Textured Architectural Bronze Powdercoat Finish Over a Chromate Conversion Coating. Custom Colors Available Upon Request.

#### Lens:

SoftLED LumaLens UV-Stabilized Polycarbonate Opal Vandal-Resistant Lens Eliminates LED Hot Spots

#### Mounting Options:

Surface Mount

#### EasyLED LED:

Aluminum Boards

#### Wattage:

Array: 12w,	System: 12.9w;	(100w	HID	Equivalent)
Array: 17w,	System: 18.1w;	(100w	HID	Equivalent)
Array: 25w,	System: 27.1w;	(250w	HID	Equivalent)

#### Driver:

Electronic Driver, 120-277V, 50/60Hz, 347V, 50/60Hz or 480-347V, 50/60Hz; Less Than 20% THD and PF>0.90. Standard Internal Surge Protection 2kV. 0-10V Dimming Standard for a Dimming Range of 100% to 10%; Dimming Source Current is 150 Microamps.

#### Controls:

Fixtures Ordered with Factory-Installed Photocell or Motion Sensor Controls are Internally Wired for Switching and/or 1-10V Dimming Within the Housing. Remote Direct Wired Interface of 1-10V Dimming is Not Implied and May Not Be Available, Please Consult Factory. Fixtures are Tested with our Controls and May Not Function Properly With Controls Supplied By Others. Fixtures are NOT Designed for Use with Line Voltage Dimmers.

#### Warranty:

5-Year Warranty for -40°C to +50°C Environment.

See Page 3 for Projected Lumen Maintenance Table.

### Certification & Listings:



SoftLED

## Round Bulkhead Half Cutoff

### ORDER INFORMATION EXAMPLE WILMAR-HCQ-F-1X12W-U-3K-L-Z-SF

Model	Optics	Wattage	Driver	CCT	Lens	Color	Options
WILMAR-HCQ=EasyLED Excel Round Bulkhead Half Cutoff	F=Type V	1X12=12w 1X17=17w 1X25=25w	U=120-277V C=347V* H=347-480V♦  *17w Only ♦25w Only	3K=3000K 4K=4000K 5K=5000K	L=SoftLED LumaLens Opal UV-Stabilized Polycarbonate Array Lens	Z=Bronze W=White C=Custom (Consult Factory)	SF=Single Fuse* DF=Double Fuse* SP=Surge Protector PC3=Photocell, 120-277VAC S2=Microwave Sensor with Dimming for Mounting Heights of 8' to 40'.* S4=Microwave On/Off Motion Sensor for Mounting Heights of 8' to 19'.* BU=Battery Backup, 90 Minutes* BUC=Cold Start Battery Backup, -20°C, 90 Minutes*  *120-277V Models Only

### Accessories & Replacement Parts:

#### Replacement Parts (Order Separately, Field Installed)

P18103	120-277VAC Photocell
P17117	Internal Microwave Sensor with Dimming for Mounting Heights of 8 to 40'. 120-277VAC, 50/60Hz.
P17123	Internally Mounted Microwave On/Off Motion Sensor for Mounting Heights of 8' to 19', 120-277VAC, 50/60Hz

For Replacement Battery Backup, see the LEPG LED Battery Backup Specification Sheet.



P18103



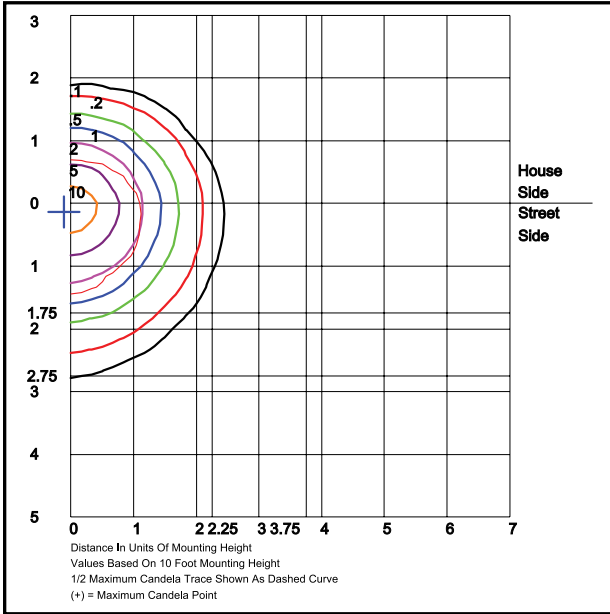
P17117



P17123

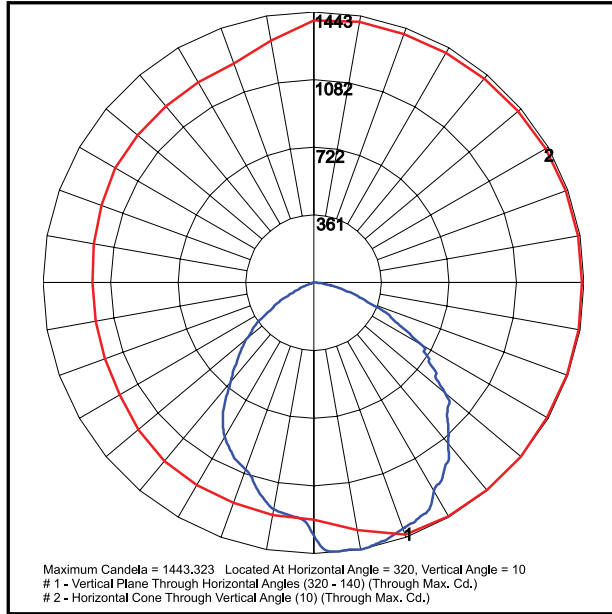
## Round Bulkhead Half Cutoff

### Photometric Data



WILMAR-HCQ-F-1X25-U-5K Type V

Grid in MH  
MH=10 Feet



WILMAR-HCQ-F-1X25-U-5K Type V

### Photometric Performance

		Wattage (Catalog Logic)	12W (1X12)	17W (1X17)	25W (1X25)
Input Watts			12.9W	18.1W	27.1W
Optic	CCT	Delivered Lumens			
F = Type V	3000K	1,321	1,850	2,775	
	4000K	1,433	2,007	3,010	
	5000K	1,493	2,090	3,135	
	BUG Rating	B1-U1-G0	B1-U1-G1	B1-U1-G1	

### Projected Lumen Maintenance

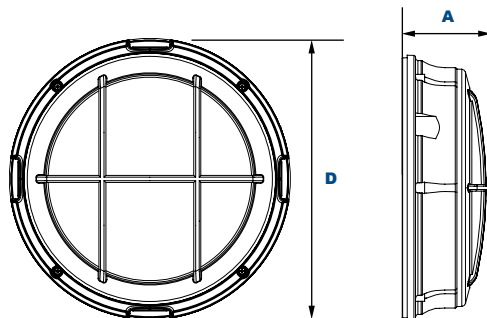
Data shown for 5000 CCT		Compare to MH				
TM-21-11	Input Watts	Initial	25,000 Hrs	50,000 Hrs	100,000 Hrs	Calculated LED Life
L70 Lumen Maintenance @ 25°C / 77°F	All wattages up to and including 27w	1.00	0.96	0.92	0.84	187,000
L70 Lumen Maintenance @ 50°C / 122°F		1.00	0.96	0.91	0.82	113,000
L80 Lumen Maintenance @ 40°C / 104°F		1.00	0.94	0.89	0.77	88,000

**NOTES:**

- Projected per IESNA TM-21-11. Data references the extrapolated performance projections for the base model in a 25°C ambient, based on 10,000 hours of LED testing per IESNA LM-80-08.
- Compare to MH box indicates suggested Light Loss Factor (LLF) to be used when comparing to Metal Halide (MH) systems.

## WILMAR-GRQ L70 25°C 187,000 Hours

### Round Bulkhead Grid Frame



#### Dimensions

<b>Diameter (D)</b>	12½" (318mm)
<b>Height (A)</b>	4¾" (111mm)

#### Project Information:

Project Name:	Fixture Type:
Complete Catalog #:	Date:
Comments:	

The WILMAR Round Bulkhead is designed to replace HID lighting systems up to 250w MH or HPS. The grid frame helps protect the UV-Stabilized Polycarbonate lens and adds a decorative appearance. Typical applications include office and public buildings, condominiums, schools, shopping malls, and hospitality. Recommended mounting heights are 8 to 20 feet.

#### Specifications and Features:

##### Housing:

Die Cast Gasketed Aluminum Grid Front Frame and Housing with Integral Heat Sinking and Driver Compartment. Nickel-Plated Stainless Steel Hardware. Photocell Adaptable.

##### Listing & Ratings:

ETL: Listed for Wet Locations, ANSI/UL 1598, 8750; IP66 Sealed LED Compartment.

##### Finish:

Textured Architectural Bronze Powdercoat Finish Over a Chromate Conversion Coating. Custom Colors Available Upon Request.

##### Lens:

SoftLED LumaLens UV-Stabilized Polycarbonate Opal Vandal-Resistant Lens Eliminates LED Hot Spots

##### Mounting Options:

Surface Mount

##### EasyLED LED:

Aluminum Boards

##### Wattage:

Array: 12w, System: 12.9w; (100w HID Equivalent)  
 Array: 17w, System: 18.1w; (100w HID Equivalent)  
 Array: 25w, System: 27.1w; (250w HID Equivalent)

##### Driver:

Electronic Driver, 120-277V, 50/60Hz, 347V, 50/60Hz or 480-347V, 50/60Hz; Less Than 20% THD and PF>0.90. Standard Internal Surge Protection 2kV. 0-10V Dimming Standard for a Dimming Range of 100% to 10%; Dimming Source Current is 150 Microamps.

##### Controls:

Fixtures Ordered with Factory-Installed Photocell or Motion Sensor Controls are Internally Wired for Switching and/or 1-10V Dimming Within the Housing. Remote Direct Wired Interface of 1-10V Dimming is Not Implied and May Not Be Available, Please Consult Factory. Fixtures are Tested with our Controls and May Not Function Properly With Controls Supplied By Others. Fixtures are NOT Designed for Use with Line Voltage Dimmers.

##### Warranty:

5-Year Warranty for -40°C to +50°C Environment.

See Page 3 for Projected Lumen Maintenance Table.

#### Certification & Listings:



SoftLED

**ORDER INFORMATION EXAMPLE**

**WILMAR-GRQ-F-1X12W-U-3K-L-Z-SF**

F		L					
Model	Optics	Wattage	Driver	CCT	Lens	Color	Options
WILMAR-GRQ=EasyLED Excel Round Bulkhead Grid Frame	F=Type V	1X12=12w 1X17=17w 1X25=25w	U=120-277V C=347V* H=347-480V♦  *17w Only ♦25w Only	3K=3000K 4K=4000K 5K=5000K	L=SoftLED LumaLens Opal UV-Stabilized Polycarbonate Array Lens	Z=Bronze W=White C=Custom (Consult Factory)	SF=Single Fuse* DF=Double Fuse* SP=Surge Protector PC3=Photocell, 120-277VAC S2=Microwave Sensor with Dimming for Mounting Heights of 8' to 40'.* S4=Microwave On/Off Motion Sensor for Mounting Heights of 8' to 19'.* BU=Battery Backup, 90 Minutes* BUC=Cold Start Battery Backup, -20°C, 90 Minutes*  *120-277V Models Only

**Accessories & Replacement Parts:**

**Replacement Parts  
(Order Separately, Field Installed)**

P18103	120-277VAC Photocell
P17117	Internal Microwave Sensor with Dimming for Mounting Heights of 8 to 40'. 120-277VAC, 50/60Hz.
P17123	Internally Mounted Microwave On/Off Motion Sensor for Mounting Heights of 8' to 19', 120-277VAC, 50/60Hz

For Replacement Battery Backup, see the LEPG LED Battery Backup Specification Sheet.



P18103

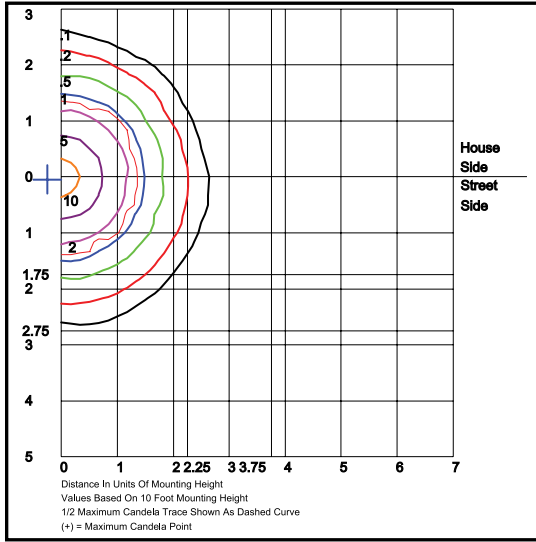


P17117



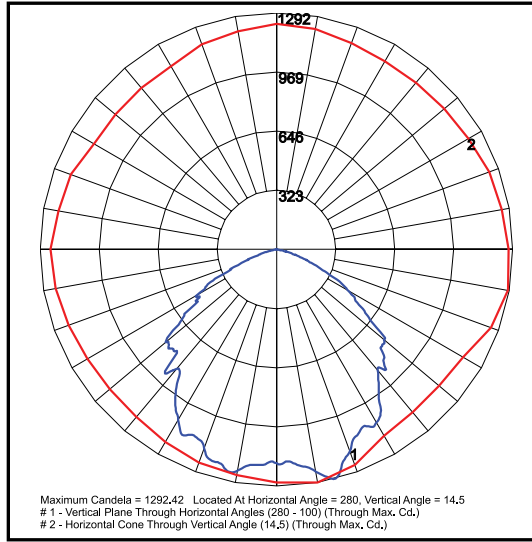
P17123

## Photometric Data



**WILMAR-GRQ-F-1X25-U-5K Type V**

Grid in MH  
MH=10 Feet



**WILMAR-GRQ-F-1X25-U-5K Type V**

## Photometric Performance

	Wattage (Catalog Logic)	12W (1X12)	17W (1X17)	25W (1X25)
<b>Input Watts</b>		12.9W	18.1W	27.1W
<b>Optic</b>	<b>CCT</b>	<b>Delivered Lumens</b>		
<b>F = Type V</b>	3000K	1,349	1,888	2,832
	4000K	1,463	2,048	3,073
	5000K	1,524	2,134	3,201
	BUG Rating	B1-U1-G0	B1-U1-G0	B1-U1-G0

## Projected Lumen Maintenance

Data shown for 5000 CCT		Compare to MH				
TM-21-11	Input Watts	Initial	25,000 Hrs	50,000 Hrs	100,000 Hrs	Calculated LED Life
<b>L70 Lumen Maintenance @ 25°C / 77°F</b>	All wattages up to and including 27w	1.00	0.96	0.92	0.84	187,000
<b>L70 Lumen Maintenance @ 50°C / 122°F</b>		1.00	0.96	0.91	0.82	113,000
<b>L80 Lumen Maintenance @ 40°C / 104°F</b>		1.00	0.94	0.89	0.77	88,000

**NOTES:**

- Projected per IESNA TM-21-11. Data references the extrapolated performance projections for the base model in a 25°C ambient, based on 10,000 hours of LED testing per IESNA LM-80-08.
- Compare to MH box indicates suggested Light Loss Factor (LLF) to be used when comparing to Metal Halide (MH) systems.