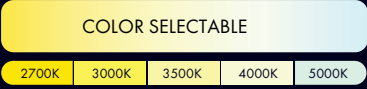


# CIP-43870 Series

2", 2.5", 3" H-Track System Zoomable  
LED Head - 5 CCT Selectable



UNIVERSAL COMPONENTS AVAILABLE\*

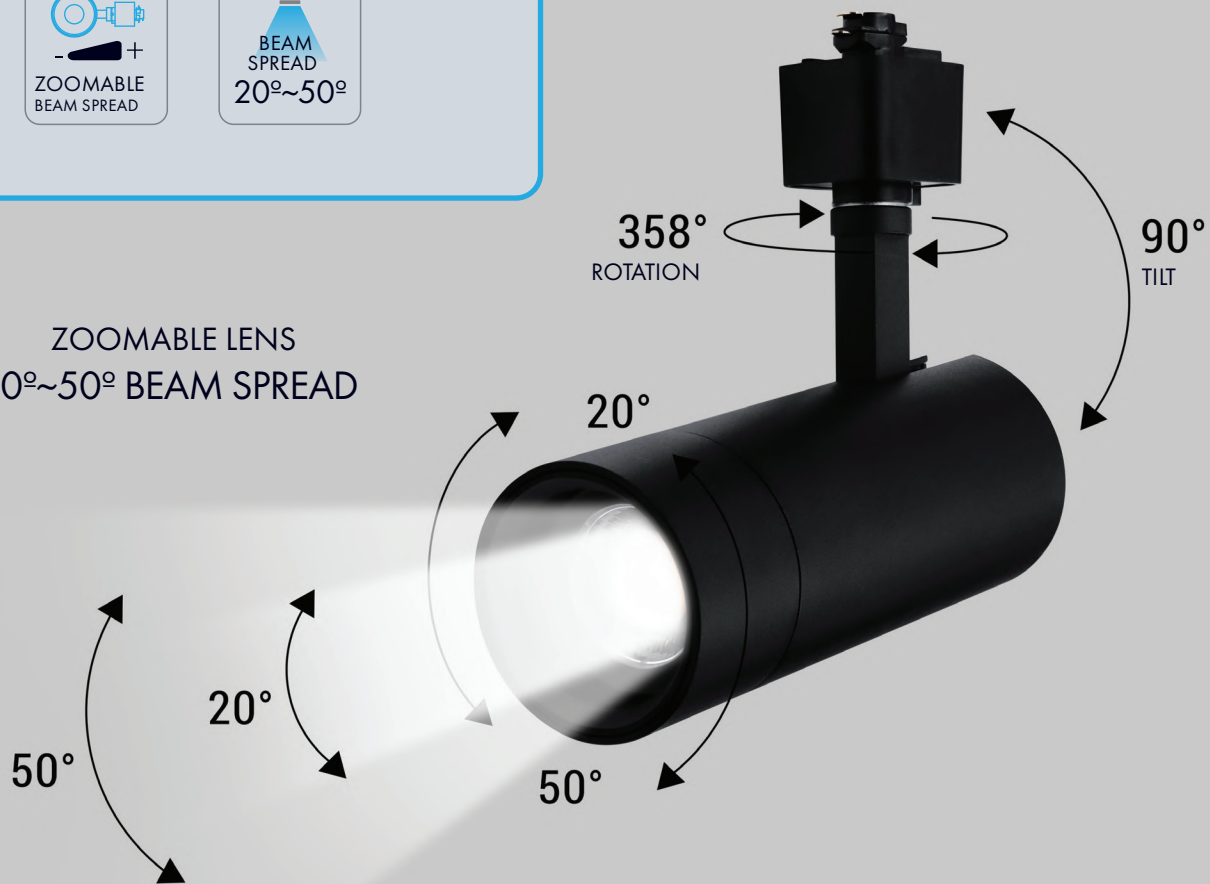


\*ALL ACCESSORIES ARE SOLD SEPARATELY

FEATURING  
ZOOMABLE LENS  
20°~50° BEAM  
SPREAD



ZOOMABLE LENS  
20°~50° BEAM SPREAD



## ELECTRICAL

		MODEL	DESCRIPTION	POWER	INPUT VOLTS	EFFICACY	DIMMABLE	LIFETIME	COST/YR
2"	BLACK	CIP-43870	LEDTR/ZM2/H/10W/5CCT/D/BK	10	120V	80	TRIAC	50,000	\$ 1.20
	WHITE	CIP-43871	LEDTR/ZM2/H/10W/5CCT/D/WT	10	120V	80	TRIAC	50,000	\$ 1.20
2.5"	BLACK	CIP-43872	LEDTR/ZM2.5/H/15W/5CCT/D/BK	15	120V	86	TRIAC	50,000	\$ 1.80
	WHITE	CIP-43873	LEDTR/ZM2.5/H/15W/5CCT/D/WT	15	120V	86	TRIAC	50,000	\$ 1.80
3"	BLACK	CIP-43874	LEDTR/ZM3/H/30W/5CCT/D/BK	30	120V	73	TRIAC	50,000	\$ 3.61
	WHITE	CIP-43875	LEDTR/ZM3/H/30W/5CCT/D/WT	30	120V	73	TRIAC	50,000	\$ 3.61

## PHOTOMETRIC

MODEL	DESCRIPTION	COLOR (CCT)	TEMP	LUMEN	FLOOD	CRI	ETL LISTED
CIP-43870	LEDTR/ZM2/H/10W/5CCT/D/BK	2700K/3000K/3500K/4000K/5000K	CCT SELECT	700	20° ~ 50°	90	YES
CIP-43871	LEDTR/ZM2/H/10W/5CCT/D/WT	2700K/3000K/3500K/4000K/5000K	CCT SELECT	700	20° ~ 50°	90	YES
CIP-43872	LEDTR/ZM2.5/H/15W/5CCT/D/BK	2700K/3000K/3500K/4000K/5000K	CCT SELECT	1050	20° ~ 50°	90	YES
CIP-43873	LEDTR/ZM2.5/H/15W/5CCT/D/WT	2700K/3000K/3500K/4000K/5000K	CCT SELECT	1050	20° ~ 50°	90	YES
CIP-43874	LEDTR/ZM3/H/30W/5CCT/D/BK	2700K/3000K/3500K/4000K/5000K	CCT SELECT	2100	20° ~ 50°	90	YES
CIP-43875	LEDTR/ZM3/H/30W/5CCT/D/WT	2700K/3000K/3500K/4000K/5000K	CCT SELECT	2100	20° ~ 50°	90	YES

## DIMENSIONS

