



Item No.

CIP-2216-N-P-6x12mm-5/10w-120-24-W/R/G/B/A/P

4040

5/10w

96

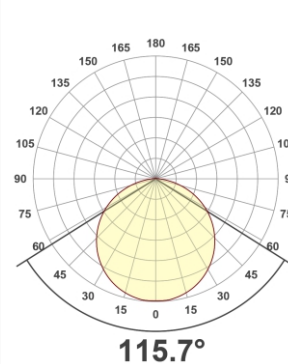
RGB

- Color Option
- LED Qty
- Power Option
- LED Type

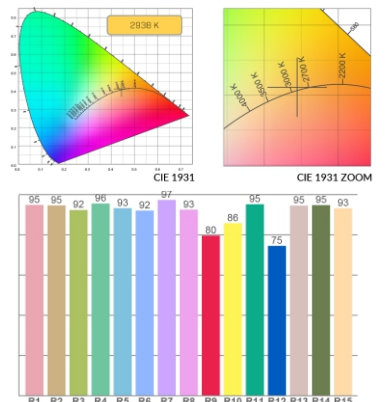
**Description**

Simply divide into two categories - horizontal & vertical bending  
 40mm-300mm bending radius. R/G/B/W/ multiple color  
 and digital colors. Standard 24VDC, 12VDC option. The material  
 of housing and body are made by silicone material which is special  
 designed used in harsh environment. Various shapes (flat, dome or  
 rounded surfaces) are available in this series, and they are also  
 waterproof (Ip67), ideal for lighting up interior and exterior.

**Beam angle**



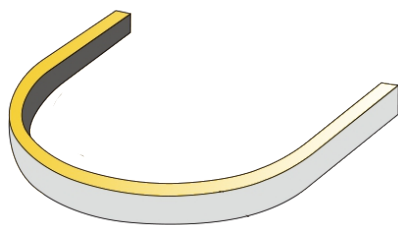
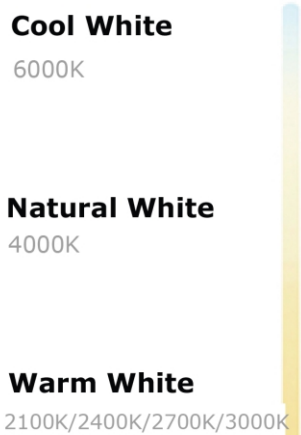
**Colour details**



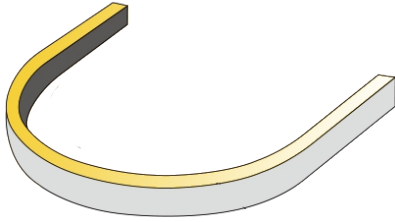
CIP-2835NP-6x12mm10W-12024-30K



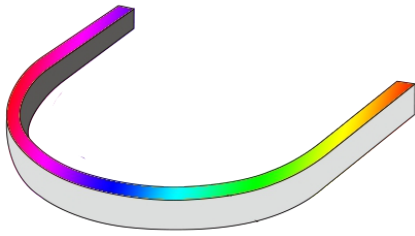
# LIGHT COLOR MODE



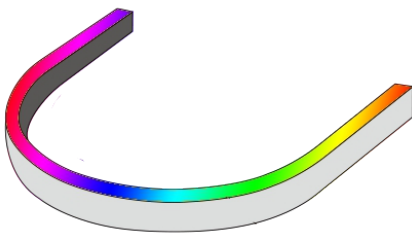
Model:	CIP-2835NP-6x12mm5W-12024-W	Color & Output
Input voltage:	DC24V	<ul style="list-style-type: none"> <li>● 2100K 145LM/M</li> <li>● 2400K 173LM/M</li> </ul>
Power/m:	5W	<ul style="list-style-type: none"> <li>● 2700K 178LM/M</li> <li>● 3000K 154LM/M</li> </ul>
LED Type:	EPISTAR SMD2835	<ul style="list-style-type: none"> <li>● 3500K 169LM/M</li> <li>● 4000K 186LM/M</li> </ul>
LED Qty / meter:	120LEDs	<ul style="list-style-type: none"> <li>● 5000K 187LM/M</li> <li>● 6000K 190LM/M</li> </ul>
Working Mode:	PWM CV/CC	<ul style="list-style-type: none"> <li>● Red 82LM/M</li> <li>● Green 240LM/M</li> <li>● Blue 30LM/M</li> <li>● Amber 61LM/M</li> <li>● Pink 78LM/M</li> </ul>
Max Length:	CV 5m; CC 15m	
Cut Length:	50mm	



Model:	CIP-2835NP-6x12mm10W-12024-W	Color & Output
Input voltage:	DC24V	● 2100K 246LM ● 2400K 312LM
Power/m:	10W	● 2700K 353LM ● 3000K 299LM
LED Type:	EPISTAR SMD2835	● 3500K 327LM ● 4000K 360LM
LED Qty / meter:	120LEDs	● 5000K 360LM ● 6000K 359LM
Working Mode:	PWM CV/CC	● Red 160LM ● Green 398LM
Max Length:	CV 5m; CC 10m	● Blue 51.6LM ● Amber 125LM/M
Cut Length:	50mm	● Pink 144LM/M



Model:	CIP-4040NP-6x12mm5W-9624-RGB	Color & Output
Input voltage:	DC24V	● RGB 16.5LM
Power/m:	5W	● RGB 46.6LM
LED Type:	SMD4040	● RGB 6.1LM
LED Qty / meter:	96LEDs	● RGB 73LM
Working Mode:	PWM	
Max Length:	CV 5m	
Cut Length:	50mm	



Model:	CIP-4040NP-6x12mm10W-9624-RGB	Color & Output
Input voltage:	DC24V	● RGB 32.5LM
Power/m:	10W	● RGB 79.7LM
LED Type:	SMD4040	● RGB 15.3LM
LED Qty / meter:	96LEDs	● RGB 126.6LM
Working Mode:	PWM	
Max Length:	CV 5m	
Cut Length:	50mm	

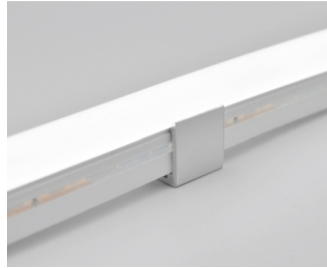
---

# PROFILES (FIXTURES)



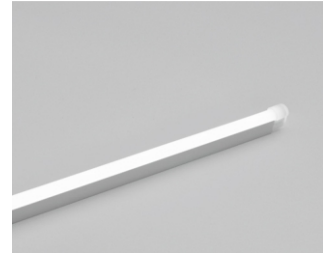
Stainless steel mounting clips  
19.7x8x13mm

**-SS**



Aluminium Profile  
1000x8x13mm

**-AL**

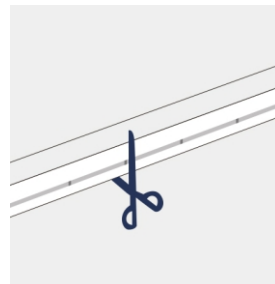


---

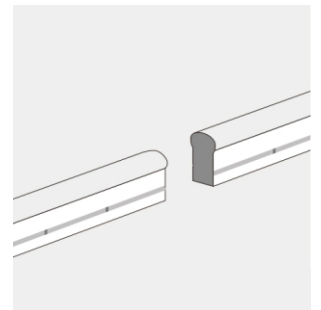
# END CAP -EC



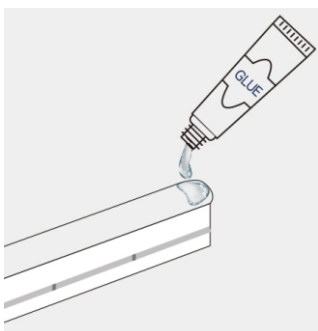
It is feasible to cut along the black point on the side of led strip. Do not cut optionally to avoid damage to led strip..



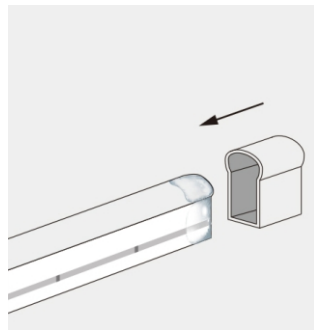
Cut the appropriate place



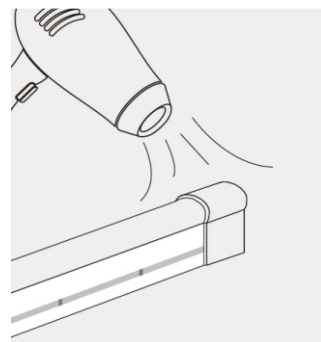
Finished the cutting



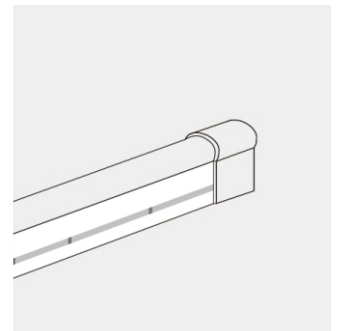
Coat the section with glue uniformly after cutting



Insert the section into the plug according to direction of arrow



Dry the plug with hot wind or natural wind until make sure the installation is firm



The effect of finished plug installation