

INTRODUCTION

GTG1610A-MRA152A: LED BULKHEAD LIGHT

FEATURE

Durable Optimized LED Lighting
 Long Lifespan >50,000hours
 Working Temperature: -30°C~50°C

MAIN MATERIAL

LED Brand: GUBO
 Driver Brand: GUBO
 Housing: Aluminum Profile
 Diffuser: Antiglare Opal PC Diffuser

INSTALLATION

[FFS] Surface Mounted: Ceiling, Wall, Pillar-top
 [FJP]: Mounting on Outlet Box (TP7126/Custom)
 Suitable for Architecture Illumination, Like Balcony, Veranda, External Wall...

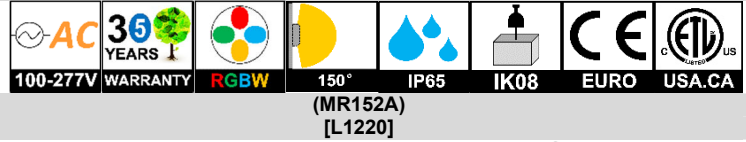
STANDARD

Designed and Manufactured to Comply with
 TUV/CB/CE/RoHS/SAA/Erp/cETL/FCC
 IP65 Protection, Class I Electrical

CUSTOM OPTION

LED CCT: 1,800K~10,000K/R/G/B/Y
 [CRI]: [E] RA80, [G] RA90, [H] RA97
 [SFH]: Custom Housing Finish Colors by RAL Code

WHITE RAL9010P	BLACK RAL9005P	DARK GREY RAL7016P	GREY RAL7043P	PEARL GREY RAL9022P
--------------------------	--------------------------	------------------------------	-------------------------	-------------------------------



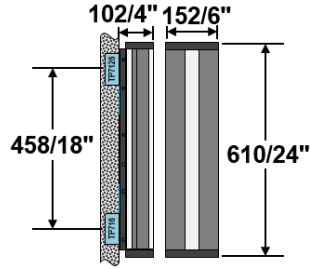
MODEL	POWER [W]	LED TYPE	CCT [K]	CRI	FLUX [LM]	POWER FACTOR	BEAM ANGLE	CUSTOM DIMMING	INPUT [V]
GTG1610A-MRA152A-L610	15W	240x0.5W SMD2835	H2700K	RA97	770	>0.9	150°	[CDN]:Non-Dim [CDT]:TRIAC(10%) [CDV]:0/1~10V(8%) [CDV0]:0~10V(1%) [CDV1]:1~10V(15%) [CDX]:DMX512(1%) [CDA]:DALI(1%) [CDP]:PWM(1%)	AC100~277V [AC100~240V] [AC100~347V] 50/60Hz
			H3000K	RA97	830				
			H3500K	RA97	830				
			H4000K	RA97	890				
			H5000K	RA97	890				
			H6500K	RA97	890				
	2C@12W	TWH	H2700K	H6500K	RA90	770			
3C@12W	RGB	620nm 520nm 460nm	H2700K	\	770	>0.9			
4C@12W	RGBW	620nm 520nm 460nm	H2700K	\	770	>0.9			
5C@12W	RGBTW	620nm 520nm 460nm 2700K 6500K	\	770	>0.9				
GTG1610A-MRA152A-L915	25W	360x0.5W SMD2835	H2700K	RA97	930	>0.9	150°	[CSL]: Photocell Lux Sensor [CSM]: Micro Motion Sensor [CSMD]: Bi-level Microwave Motion Sensor	[CV DC12V] [CV DC24V] [CV DC42V]
			H3000K	RA97	1000				
			H3500K	RA97	1000				
			H4000K	RA97	1060				
			H5000K	RA97	1060				
			H6500K	RA97	1060				
	2C@25W	TWH	H2700K	H6500K	RA90	930			
3C@25W	RGB	620nm 520nm 460nm	H2700K	\	930	>0.9			
4C@25W	RGBW	620nm 520nm 460nm	H2700K	\	930	>0.9			
5C@25W	RGBTW	620nm 520nm 460nm 2700K 6500K	\	930	>0.9				
GTG1610A-MRA152A-L1220	30W	480x0.5W SMD2835	H2700K	RA97	1080	>0.9	150°	[EM Backup] Battery:5W 90min Battery:15W 90min Battery:25W 90min	[CBE]: Emergency [CBESMD]:EM+Sensor
			H3000K	RA97	1160				
			H3500K	RA97	1160				
			H4000K	RA97	1250				
			H5000K	RA97	1250				
			H6500K	RA97	1250				
	2C@36W	TWH	H2700K	H6500K	RA90	1080			
3C@36W	RGB	620nm 520nm 460nm	H2700K	\	1080	>0.9			
4C@36W	RGBW	620nm 520nm 460nm	H2700K	\	1080	>0.9			
5C@36W	RGBTW	620nm 520nm 460nm 2700K 6500K	\	1080	>0.9				
GTG1610A-MRA152A-L1525	40W	600x0.5W SMD2835	H2700K	RA97	1540	>0.9	150°	[EM Backup] Battery:5W 90min Battery:15W 90min Battery:25W 90min	[CBE]: Emergency [CBESMD]:EM+Sensor
			H3000K	RA97	1660				
			H3500K	RA97	1660				
			H4000K	RA97	1780				
			H5000K	RA97	1780				
			H6500K	RA97	1780				
	2C@48W	TWH	H2700K	H6500K	RA90	1540			
3C@48W	RGB	620nm 520nm 460nm	H2700K	\	1540	>0.9			
4C@48W	RGBW	620nm 520nm 460nm	H2700K	\	1540	>0.9			
5C@48W	RGBTW	620nm 520nm 460nm 2700K 6500K	\	1540	>0.9				

NOTE:

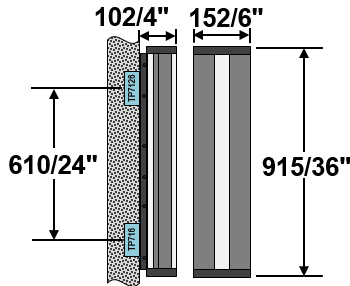
All parameters are measured at 25°C ambient temperature, 35% humidity experimental environment.
 Tolerances of power and luminous flux are ±10%, tolerance of color rendering index is ±5.

(MRA152A)-[FFS] Flush Surface Mounted Light

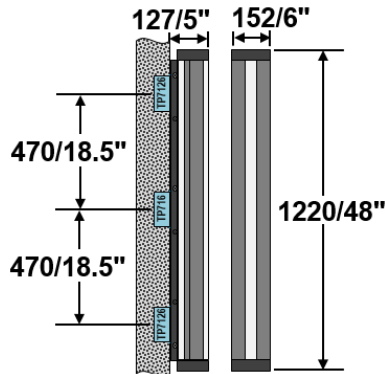
NOTES:	Custom Installation and Accessories Referred to Another Catalogue of Fixing Kits.	CASE STUDY:
(MRA152A) [L610]	DIMENSION: [UNIT: MM] [FFS]-[FJP2A-TP7126]	



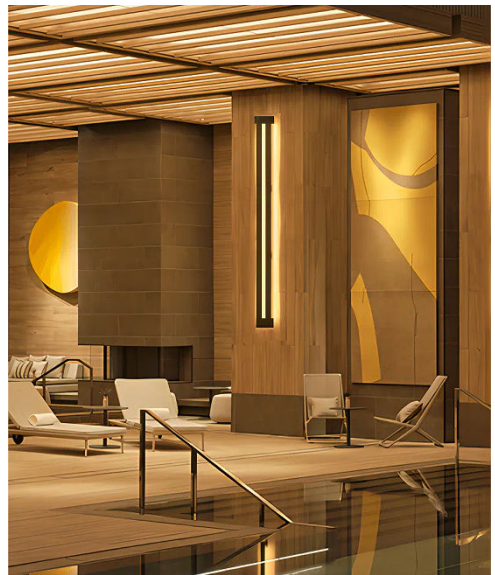
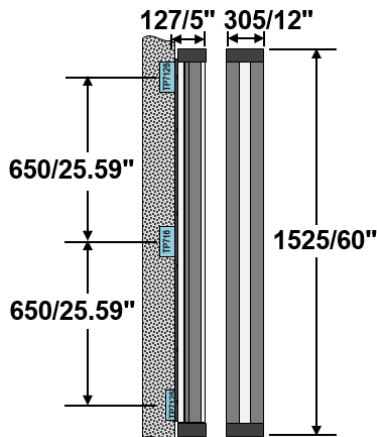
(MRA152A) [L915]	DIMENSION: [UNIT: MM] [FFS]-[FJP2A-TP7126]
---------------------	---



(MRA152A) [L1220]	DIMENSION: [UNIT: MM] [FFS]-[FJP3A-TP7126]
----------------------	---



(MRA152A) [L1525]	DIMENSION: [UNIT: MM] [FFS]-[FJP3A-TP7126]
----------------------	---



INTRODUCTION

GTG1610A-MRA305A: LED BULKHEAD LIGHT

FEATURE

Durable Optimized LED Lighting
 Long Lifespan >50,000hours
 Working Temperature: -30°C~50°C

MAIN MATERIAL

LED Brand: GUBO
 Driver Brand: GUBO
 Housing: Aluminum Profile
 Diffuser: Antiglare Opal PC Diffuser

INSTALLATION

[FFS] Surface Mounted: Ceiling, Wall, Pillar-top
 [FJP]: Mounting on Outlet Box (TP7126/Custom)
 Suitable for Architecture Illumination, Like Balcony, Veranda, External Wall...






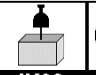


STANDARD

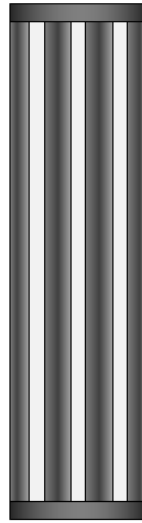
Designed and Manufactured to Comply with
 TUV/CB/CE/RoHS/SAA/Erp/cETL/FCC
 IP65 Protection, Class I Electrical

CUSTOM OPTION

LED CCT: 1,800K~10,000K/R/G/B/Y
 [CRI]: [E] RA80, [G] RA90, [H] RA97
 [SFH]: Custom Housing Finish Colors by RAL Code

WHITE	BLACK	DARK GREY	GREY	PEARL GREY
RAL9010P	RAL9005P	RAL7016P	RAL7043P	RAL9022P
				

							
(MRA305A) [L1220]							



MODEL	POWER [W]	LED TYPE	CCT [K]	CRI	FLUX [LM]	POWER FACTOR	BEAM ANGLE	CUSTOM DIMMING	INPUT [V]
GTG1610A-MRA305A-L610	20W [30W] [12W]	240x0.5W SMD2835	H2700K	RA97	1220	>0.9	150°	[CDN]:Non-Dim [CDT]:TRIAC(10%) [CDV]:0/1~10V(8%) [CDV0]:0~10V(1%) [CDV1]:1~10V(15%) [CDX]:DMX512(1%) [CDA]:DALI(1%) [CDP]:PWM(1%)	AC100~277V [AC100~240V] [AC100~347V] 50/60Hz
			H3000K	RA97	1320				
			H3500K	RA97	1320				
			H4000K	RA97	1410				
			H5000K	RA97	1410				
			H6500K	RA97	1410				
2C@20W	TWH	H2700K H6500K	RA90	1220	>0.9				
3C@20W	RGB	620nm 520nm 460nm	\	1220	>0.9				
4C@20W	RGBW	620nm 520nm 460nm H2700K	\	1220	>0.9				
5C@20W	RGBTW	620nm 520nm 460nm 2700K 6500K	\	1220	>0.9				
GTG1610A-MRA305A-L915	30W [45W] [20W]	360x0.5W SMD2835	H2700K	RA97	1710	>0.9	150°	[CSL]: Photocell Lux Sensor [CSM]: Micro Motion Sensor [CSMD]: Bi-level Microwave Motion Sensor	[CV DC12V] [CV DC24V] [CV DC42V]
			H3000K	RA97	1850				
			H3500K	RA97	1850				
			H4000K	RA97	1980				
			H5000K	RA97	1980				
			H6500K	RA97	1980				
2C@40W	TWH	H2700K H6500K	RA90	1710	>0.9				
3C@40W	RGB	620nm 520nm 460nm	\	1710	>0.9				
4C@40W	RGBW	620nm 520nm 460nm H2700K	\	1710	>0.9				
5C@40W	RGBTW	620nm 520nm 460nm 2700K 6500K	\	1710	>0.9				
GTG1610A-MRA305A-L1220	40W [60W] [30W] [20W]	480x0.5W SMD2835	H2700K	RA97	2450	>0.9	150°	[EM Backup] Battery:5W 90min Battery:15W 90min Battery:25W 90min	[CBE]: Emergency [CBESMD]:EM+Sensor
			H3000K	RA97	2630				
			H3500K	RA97	2630				
			H4000K	RA97	2820				
			H5000K	RA97	2820				
			H6500K	RA97	2820				
2C@40W	TWH	H2700K H6500K	RA90	2450	>0.9				
3C@40W	RGB	620nm 520nm 460nm	\	2450	>0.9				
4C@40W	RGBW	620nm 520nm 460nm H2700K	\	2450	>0.9				
5C@40W	RGBTW	620nm 520nm 460nm 2700K 6500K	\	2450	>0.9				
GTG1610A-MRA305A-L1525	50W [75W] [60W] [40W]	600x0.5W SMD2835	H2700K	RA97	2940	>0.9	150°	[CBE]: Emergency [CBESMD]:EM+Sensor	
			H3000K	RA97	3160				
			H3500K	RA97	3160				
			H4000K	RA97	3390				
			H5000K	RA97	3390				
			H6500K	RA97	3390				
2C@50W	TWH	H2700K H6500K	RA90	2940	>0.9				
3C@50W	RGB	620nm 520nm 460nm	\	2940	>0.9				
4C@50W	RGBW	620nm 520nm 460nm H2700K	\	2940	>0.9				
5C@50W	RGBTW	620nm 520nm 460nm 2700K 6500K	\	2940	>0.9				

NOTE:

All parameters are measured at 25°C ambient temperature, 35% humidity experimental environment.
 Tolerances of power and luminous flux are ±10%, tolerance of color rendering index is ±5.

INTRODUCTION

GTG1610A-MRA305A: LED BULKHEAD LIGHT

(MRA305A)-[FFS] Flush Surface Mounted Light

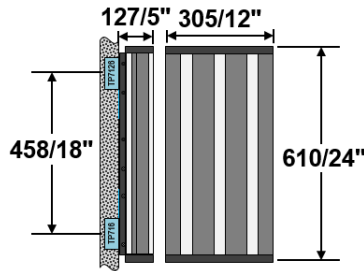
NOTES:

Custom Installation and Accessories Referred to Another Catalogue of Fixing Kits.

(MRA305A)
[L610]

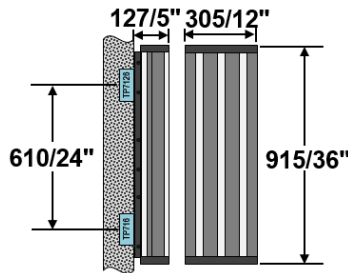
DIMENSION: [UNIT: MM]
[FFS]-[FJP2A-TP7126]

CASE STUDY:



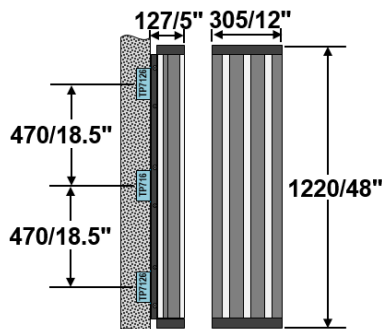
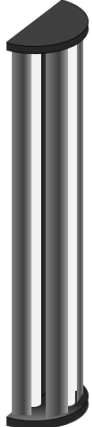
(MRA305A)
[L915]

DIMENSION: [UNIT: MM]
[FFS]-[JP2A-TP7126]



(MRA305A)
[L1220]

DIMENSION: [UNIT: MM]
[FFS]-[FJP3A-TP7126]



(MRA305A)
[L1525]

DIMENSION: [UNIT: MM]
[FFS]-[FJP3A-TP7126]

