

INTRODUCTION

FEATURE

- Low-glare Hardscape Lighting
- Create a Variety of Landscape Lighting
- Fantastic Architecture Decoration
- Long Lifespan > 50,000hours

MAIN MATERIAL

- LED Brand: GUBO
- Driver Brand: GUBO
- Housing: Die-casted Aluminum Housing
- Optics: High Efficiency PC Lens

INSTALLATION

- Trim Recessed Mounted
- Suitable for External Wall, Staircase.....

STANDARD

- Designed and Manufactured to Comply with CE/RoHS/ETL/FCC/SAA
- IP65 Protection, Class III Electric

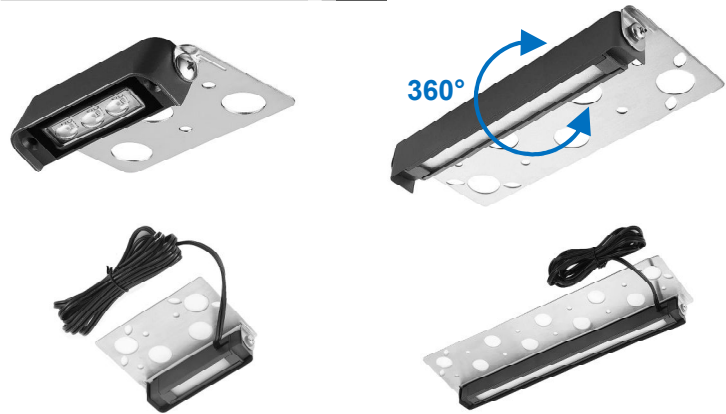
CUSTOM OPTION

- LED CCT: 1,800K~10,000K/R/G/B/Y
- [CRI]: [E] RA80, [G] RA90, [H] RA97
- Custom Finish Color: Painted Color by RAL code

WHITE	BLACK	DARK GREY	PEARL GREY
RAL9010P	RAL9005P	RAL7016P	RAL7043P

GTG4591A: HARDSCAPE LED WALL LIGHT

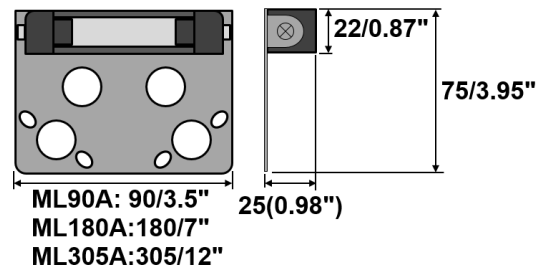
(ML90A) L3.5"			(ML180A) L7" [BDF: Forsted Diffuser]				



CASE STUDY:



DIMENSION: [UNIT: MM]



Power Cord Feeds Position at Side Position		ACCESSORIES	
Power Cord Feeds	MALE CONNECTOR	Power cord with female and male connector	"Y" Power cord with 2pcs female and one male connector
[ACS-L560A]	[ACS-M12A-L360A]	[ACFM12A-L1000A]	[ACY12A-L280A]
1830/6" [CUSTOM]	35/1.4" M12/0.5" 1830/6" [CUSTOM]	F12/0.5" 35/1.4" 35/1.4" M12/0.5" 1000/39.4" [CUSTOM]	F12/0.5" 35/1.4" 130/5" 35/1.4" M12/0.5" 280/11" [CUSTOM]

MODEL	POWER [W]	LED TYPE	CCT [K]	CRI	FLUX [LM]	POWER FACTOR	BEAM ANGLE	REMOTE CONTROL	INPUT [V]
GTG4591A-ML90A	2W [1W]	3x1.5W SMD3030	G2700K	RA90	140	> 0.5	[Symmetric] BL30D:30° BL60D:60° BL90D:90° BL120D:120°	[Following by Remote Driver] [CDT]:TRIAC(15%) [CDV]:0~10V(8%) [CDV0]:0~10V(1%) [CDV1]:1~10V(15%) [CDX]:DMX512(1%) [CDA]:DALI(1%) [CRZ]:Zigbee(1%) [CRB]:Bluetooth(1%) [CRF]:2.4G RF(1%)	+CV DC12V [+CV DC24V] [+CV DC36V] [+CV DC42V]
			G3000K	RA90	150				
			G3500K	RA90	150				
			G4000K	RA90	180				
			G5000K	RA90	180				
			G5700K	RA90	180				
	G6500K	RA90	175						
2C@2W	TWG	G2700K	G6500K	RA90	140	> 0.4			
3C@2W	RGB	620nm	520nm	455nm	\	140	> 0.4		
4C@2W	RGBW	620nm	520nm	455nm	2700K	140	> 0.4		
4C@2W	RGBA	620nm	520nm	455nm	590nm	140	> 0.4		
GTG4562A-ML180A	5W [3W] [2W]	9x1.5W SMD3030	G2700K	RA90	280	> 0.5	[BDF] BDF:120°	[Following by Remote Driver] [CDT]:TRIAC(15%) [CDV]:0~10V(8%) [CDV0]:0~10V(1%) [CDV1]:1~10V(15%) [CDX]:DMX512(1%) [CDA]:DALI(1%) [CRZ]:Zigbee(1%) [CRB]:Bluetooth(1%) [CRF]:2.4G RF(1%)	[Following by Remote Driver] [AC100~277V] [AC100~240V] [AC100~347V] [AC180~528V] 50/60Hz
			G3000K	RA90	300				
			G3500K	RA90	300				
			G4000K	RA90	360				
			G5000K	RA90	360				
			G5700K	RA90	360				
	G6500K	RA90	350						
2C@6W	TWG	G2700K	G6500K	RA90	280	> 0.4			
3C@6W	RGB	620nm	520nm	455nm	\	280	> 0.4		
4C@6W	RGBW	620nm	520nm	455nm	2700K	280	> 0.4		
4C@6W	RGBA	620nm	520nm	455nm	590nm	280	> 0.4		
GTG4562A-ML300A	8W [5W] [3W]	18x1.5W SMD3030	G2700K	RA90	520	> 0.5	[BDF] BDF:120°	[Following by Remote Driver] [CDT]:TRIAC(15%) [CDV]:0~10V(8%) [CDV0]:0~10V(1%) [CDV1]:1~10V(15%) [CDX]:DMX512(1%) [CDA]:DALI(1%) [CRZ]:Zigbee(1%) [CRB]:Bluetooth(1%) [CRF]:2.4G RF(1%)	[Following by Remote Driver] [AC100~277V] [AC100~240V] [AC100~347V] [AC180~528V] 50/60Hz
			G3000K	RA90	550				
			G3500K	RA90	550				
			G4000K	RA90	580				
			G5000K	RA90	580				
			G5700K	RA90	580				
	G6500K	RA90	560						
2C@8W	TWG	G2700K	G6500K	RA90	520	> 0.4			
3C@8W	RGB	620nm	520nm	455nm	\	520	> 0.4		
4C@8W	RGBW	620nm	520nm	455nm	2700K	520	> 0.4		
4C@8W	RGBA	620nm	520nm	455nm	590nm	520	> 0.4		

NOTE:

All parameters are measured at 25°C ambient temperature, 35% humidity experimental environment. Tolerances of power and luminous flux are ±10%, tolerance of color rendering index is ±5.