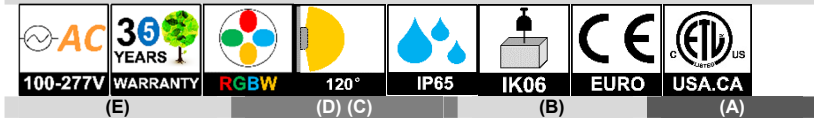


**GTG1101: LED BULKHEAD LIGHT**

**INTRODUCTION**



**FEATURE**  
 Durable Optimized LED Lighting  
 Classical Uniform Garden Illumination  
 Long Lifespan > 50,000hours  
 Working Temperature: -30°C~50°C

**MAIN MATERIAL**  
 LED Brand: GUBO  
 Driver Brand: GUBO  
 Housing: Die-casted Aluminum  
 Diffuser: Anti-UV Opal PC Diffuser

**INSTALLATION**  
 Surface Mounted: Ceiling, Wall, Pillar-top  
 Suitable for Architecture Illumination, Like Balcony, Veranda, External Wall...

**STANDARD**  
 Designed and Manufactured to Comply with TUV/CB/CE/RoHS/SAA/Erp/cETL/FCC  
 IP65 Protection, Class I Electrical

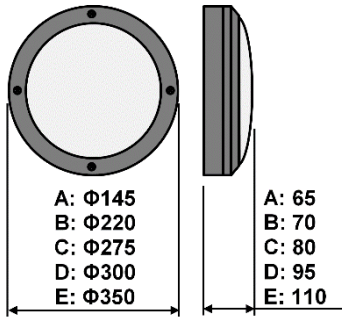
**OPTION**  
 LED CCT: 1,800K~10,000K/R/G/B/Y  
 [CRI]: [E] RA80, [G] RA90, [H] RA97  
 [FJP]: Mounting Plate on Outlet Box  
 [CBE] Emergency: 90min 5W  
 [CSL]: Photocell Lux Sensor  
 [CSMD]: Bi-level Daylight Harvest Microwave Sensor  
 Custom Housing Finish: Colors by RAL Code



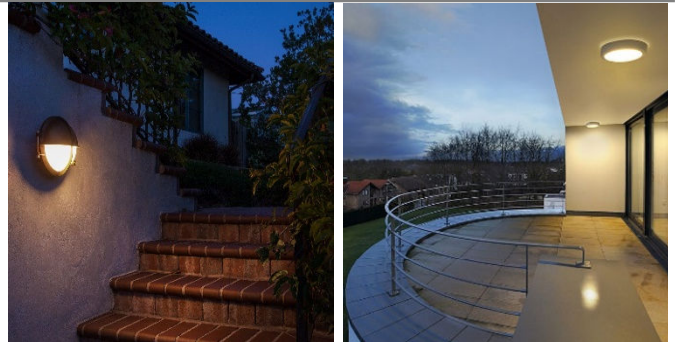
[MPT01] MASK CROSS [MPT02] MASK GRID [MPT03] MASK CAP [MPT04] MASK FAN3B (3-BLAKDE)



**DIMENSION: [UNIT: MM]**



**CASE STUDY**



MODEL	POWER [W]	LED TYPE	CCT [K]	CRI	FLUX [LM]	POWER FACTOR	BEAM ANGLE	OPTIONAL DIMMING	INPUT [V]
GTG1101A GTG1101A-MPT01 GTG1101A-MPT02 GTG1101A-MPT03	6W [3W]	48x0.5W SMD2835	G2700K	RA90	500	> 0.9	120°	[CDT]: TRIAC(10%) [CDV]: 0/1~10V(8%) [CDV0]: 0~10V(1%) [CDV1]: 1~10V(15%) [CDX]: DMX512(1%) [CDA]: DALI(1%) [CRZ]: ZIGBEE(1%) [CRF]: 2.4G RF (1%) [CDP]: PWM(1%)	AC100~277V [AC220~240V] [AC110~130V] [AC100~240V] [AC100~347V] 50/60Hz
			G3000K	RA90	530				
			G3500K	RA90	530				
			G4000K	RA90	560				
			G6500K	RA90	560				
GTG1101B GTG1101B-MPT01 GTG1101B-MPT02 GTG1101B-MPT03	20W [15W] [12W] [10W]	96x0.5W SMD2835	G2700K	RA90	1680	> 0.9	120°	[CDT]: TRIAC(10%) [CDV]: 0/1~10V(8%) [CDV0]: 0~10V(1%) [CDV1]: 1~10V(15%) [CDX]: DMX512(1%) [CDA]: DALI(1%) [CRZ]: ZIGBEE(1%) [CRF]: 2.4G RF (1%) [CDP]: PWM(1%)	AC100~277V [AC220~240V] [AC110~130V] [AC100~240V] [AC100~347V] 50/60Hz
			G3000K	RA90	1780				
			G3500K	RA90	1780				
			G4000K	RA90	1860				
			G6500K	RA90	1860				
GTG1101C GTG1101C-MPT01 GTG1101C-MPT02 GTG1101C-MPT03	30W [24W] [20W] [15W]	144x0.5W SMD2835	G2700K	RA90	2370	> 0.9	120°	[CDT]: TRIAC(10%) [CDV]: 0/1~10V(8%) [CDV0]: 0~10V(1%) [CDV1]: 1~10V(15%) [CDX]: DMX512(1%) [CDA]: DALI(1%) [CRZ]: ZIGBEE(1%) [CRF]: 2.4G RF (1%) [CDP]: PWM(1%)	AC100~277V [AC220~240V] [AC110~130V] [AC100~240V] [AC100~347V] 50/60Hz
			G3000K	RA90	2480				
			G3500K	RA90	2480				
			G4000K	RA90	2610				
			G6500K	RA90	2610				
GTG1101D GTG1101D-MPT01 GTG1101D-MPT02 GTG1101D-MPT03	30W [40W] [20W] [15W]	192x0.5W SMD2835	G2700K	RA90	2370	> 0.9	120°	[CDT]: TRIAC(10%) [CDV]: 0/1~10V(8%) [CDV0]: 0~10V(1%) [CDV1]: 1~10V(15%) [CDX]: DMX512(1%) [CDA]: DALI(1%) [CRZ]: ZIGBEE(1%) [CRF]: 2.4G RF (1%) [CDP]: PWM(1%)	AC100~277V [AC220~240V] [AC110~130V] [AC100~240V] [AC100~347V] 50/60Hz
			G3000K	RA90	2480				
			G3500K	RA90	2480				
			G4000K	RA90	2610				
			G6500K	RA90	2610				
GTG1101E GTG1101E-MPT01 GTG1101E-MPT02 GTG1101E-MPT03 GTG1101E-MPT04	50W [40W] [30W] [20W]	240x0.5W SMD2835	G2700K	RA90	4000	> 0.9	120°	[CDT]: TRIAC(10%) [CDV]: 0/1~10V(8%) [CDV0]: 0~10V(1%) [CDV1]: 1~10V(15%) [CDX]: DMX512(1%) [CDA]: DALI(1%) [CRZ]: ZIGBEE(1%) [CRF]: 2.4G RF (1%) [CDP]: PWM(1%)	AC100~277V [AC220~240V] [AC110~130V] [AC100~240V] [AC100~347V] 50/60Hz
			G3000K	RA90	4230				
			G3500K	RA90	4230				
			G4000K	RA90	4570				
			G6500K	RA90	4570				

**NOTE:**

All parameters are measured at 25°C ambient temperature, 35% humidity experimental environment.  
 Tolerances of power and luminous flux are ±10%, tolerance of color rendering index is ±5.