

# FL225

## Mini LED Flood Light

30W/50W/80W/100W



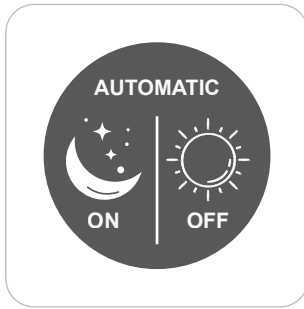
### Specifications

Part # CIP-FL225-(wattage)-(mounting type)

Note: We try to keep stock of the 30/50/100W, 5K/3CCT(3/4/5K), 120°, Knuckle/trunnion/u-bracket), AC100-277V

Wattage	30W / 50W / 80W / 100W
LED Chip	SMD 2835,Samsung or other LED Brand
Driver Brand	SOSEN / ZHIHE or other Brand Power Supply
Efficacy	130lm/w-140lm/w
AC Input Voltage	120~277Vac / 120-347Vac
Light Distribution	60° / 120° / 90°x140°for options
Ambient Temperature	-40°C ~ 45°C(-40°F~113°F)
Additional Feature	CCT / Power Switch Optional
Total Harmonic Distortion	<20%
Lifetime	50,000H
Mount	Knuckle Mount / Trunnion Mount / U-Bracket
Warranty	5 years

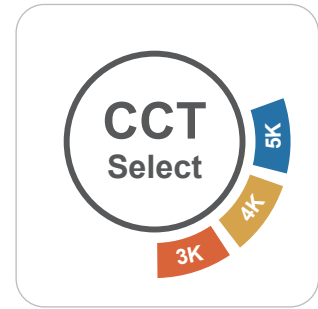
## Features



Photocell sensor

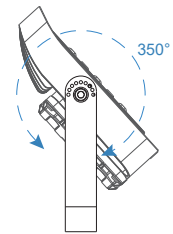
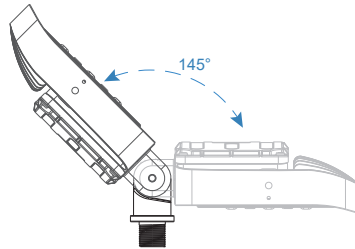
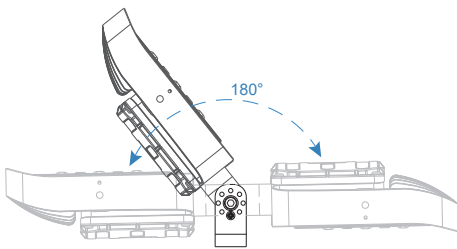


ADC12 Die casting

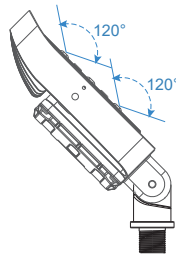
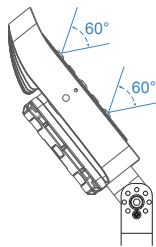


CCT Select

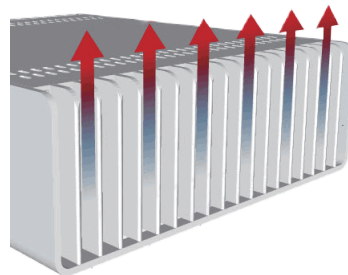
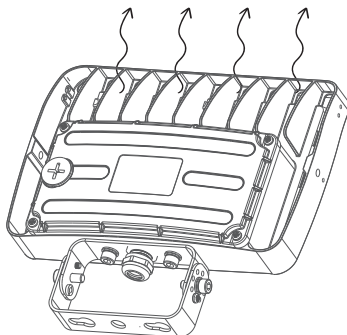
### Installation Angle Adjustable



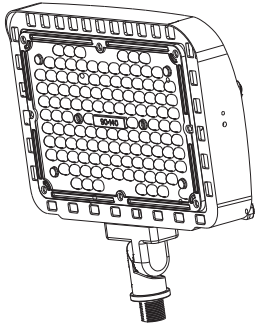
### Multiple beam angle: 60° / 120°



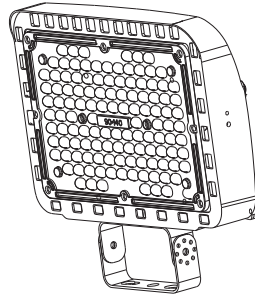
### Hollow out heat sink design, better for heat dissipation



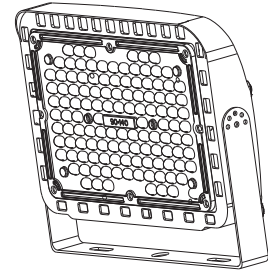
3 Different mount brackets



Knuckle mount



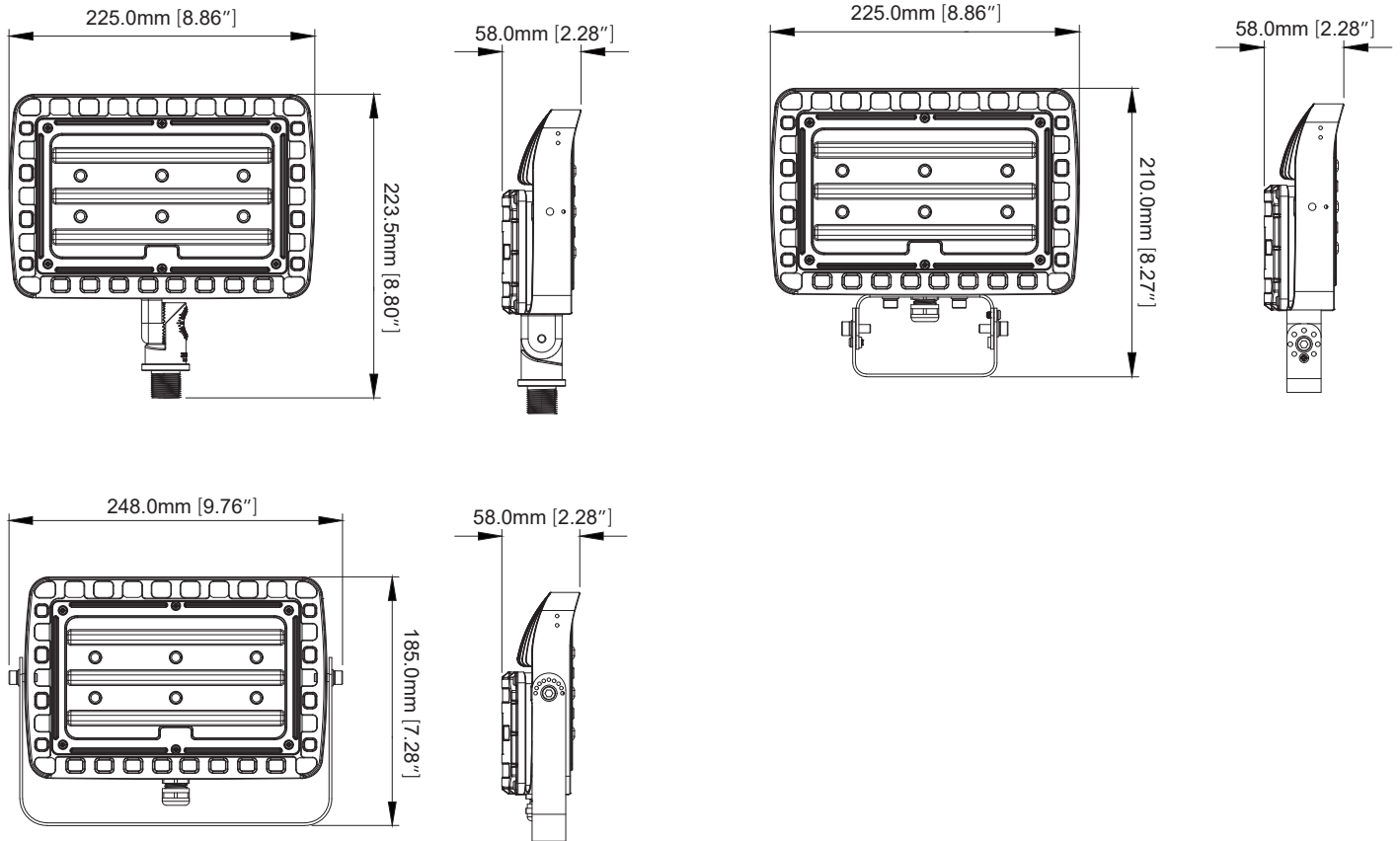
Trunnion Mount



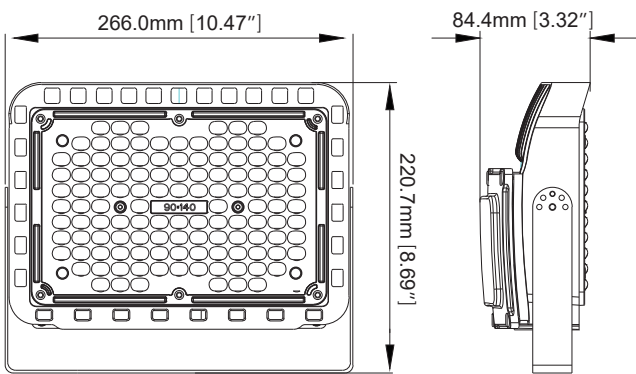
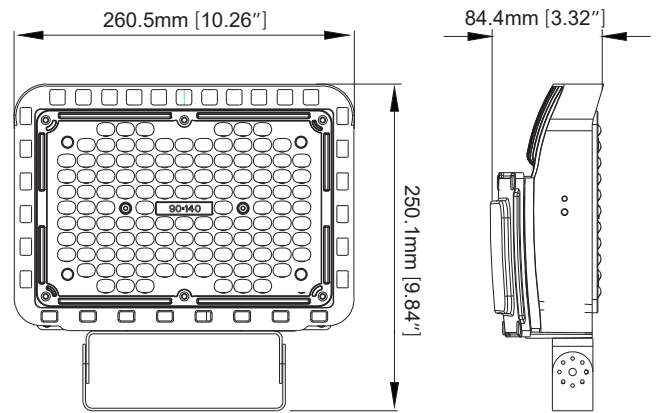
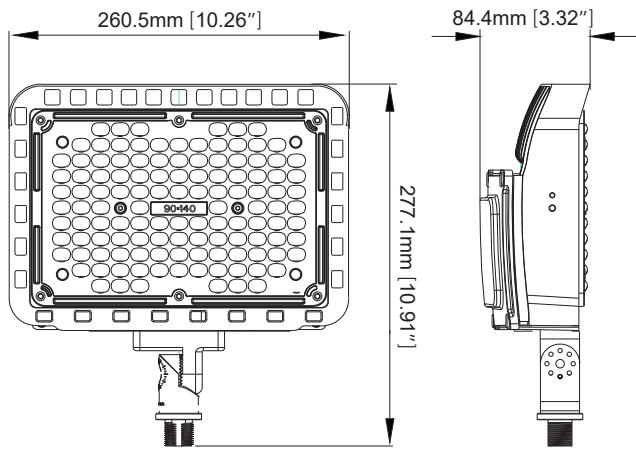
U Bracket

**Dimension**

30W&50W



**80W&100W**



**Applications**



Building wall



Yard



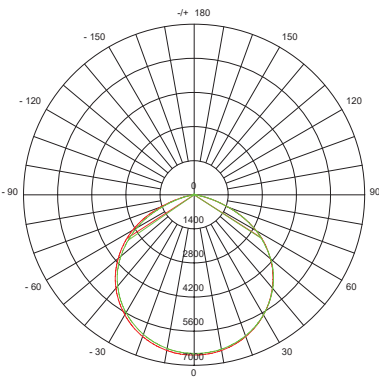
Billboard



Garden

## Light Distribution

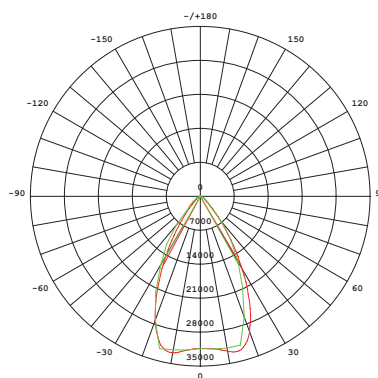
120°



UNIT:cd  
 — V 0.0DEG PLAN 114.4deg  
 — H 0.0DEG PLAN 112.5deg

AVERAGE BEAM ANGLE(50%):113.5 DEG

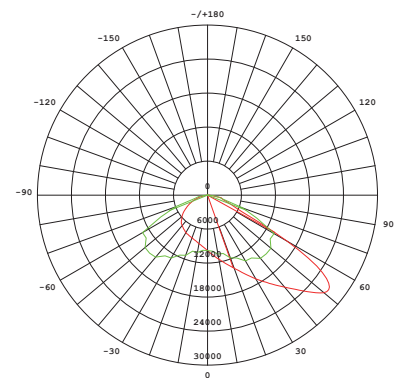
60°



UNIT:cd  
 — V 0.0DEG PLAN 58.8deg  
 — H 0.0DEG PLAN 59.3deg

AVERAGE BEAM ANGLE(50%):59.1 DEG

90\*140°

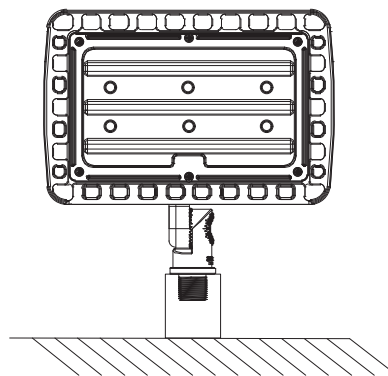
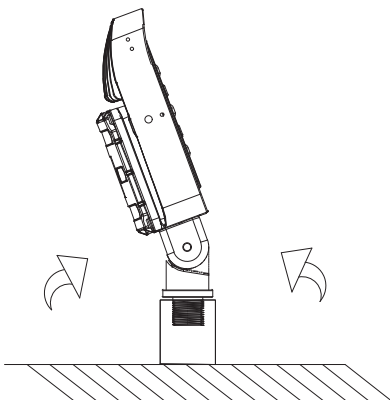


UNIT:cd  
 — V 0.0DEG PLAN 41.5deg  
 — H 0.0DEG PLAN 136.6deg

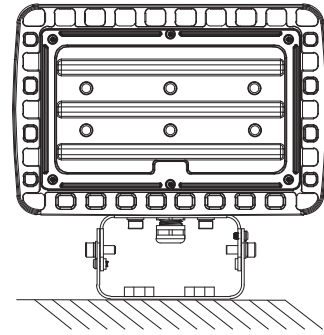
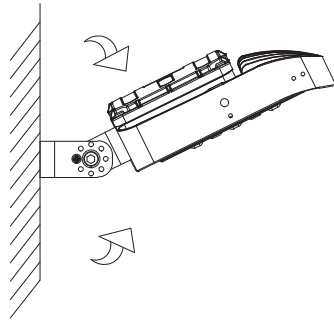
AVERAGE BEAM ANGLE(50%):89.1 DEG

## Installation

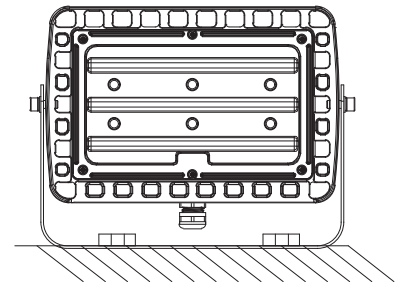
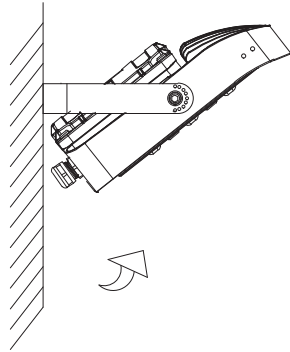
### 1.Knuckle Mount



## 2.Trunnion Mount



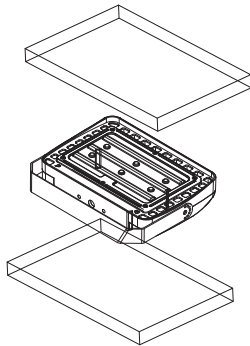
## 3.U Bracket Mount



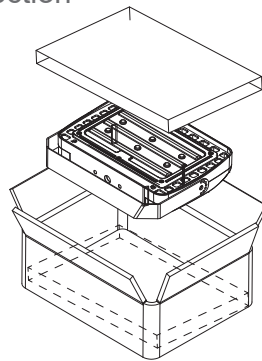
## Packaging information

Wattage	Product Size(mm/in)	Inner Box Size(mm/in)	Carton Box Size(mm/in)	N.W (Kg/lb)	G.W (Kg/Lbs)	QTY
30W/50W	225 x 210.0 x 58 mm 8.86 x 8.27 x 2.28 in	260 x 200 x 95 mm 10.24 x 7.87 x 3.74 in	535 x 420 x 305 mm 21.06 x 16.54 x 12.01 in	1.4Kg(3.09lb)	19.35kg(42.66lb)	12 PCS
80W/100W	260 x 278 x 85 mm 10.24 x 10.95 x 3.35 in	240 x 280 x 95 mm 9.45 x 10.03 x 3.75 in	520 x 610 x 340 mm 20.47 x 24.02 x 13.39 in	2.4Kg(5.30lb)	32.40kg(71.43lb)	12 PCS

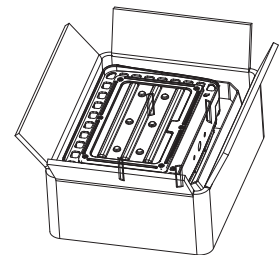
### Lamp



### Protection



### Package



CIP Lighting

803-766-0243

info@ciplighting.com

www.ciplighting.com