

Installation Instruction

Cautions:

1. Can not use the electric generator to test the LED lamp.
2. Please abide by related country, regional and local law and regulations when install this fixture.
3. Please turn off the power before installation or maintenance.
4. Proper earth grounding is required to ensure safety.

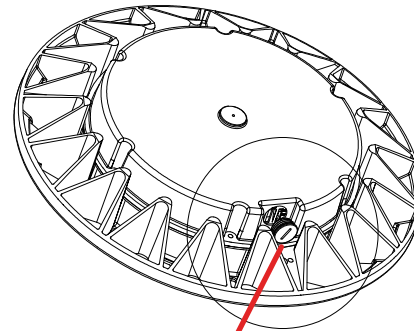
Notice:

1. To avoid possibility of electrical shock or fire, the installation personnel must have professional electric knowledge.
2. Please wear gloves to avoid injury before installation.
3. If any smoke or spark of the wire happened, please turn off the power immediately and notify relevant personnel.

Special functions instruction:

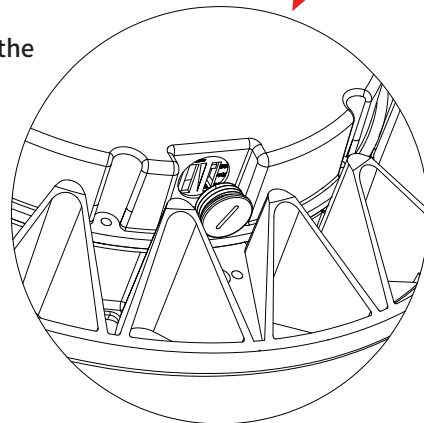
1. CCT adjustable

1. The color temperature of the lamp turns to 3000K when the DIP switch is set to 3K.
2. The color temperature of the lamp turns to 4000K when the DIP switch is set to 4K.
3. The color temperature of the lamp turns to 5000K when the DIP switch is set to 5K.

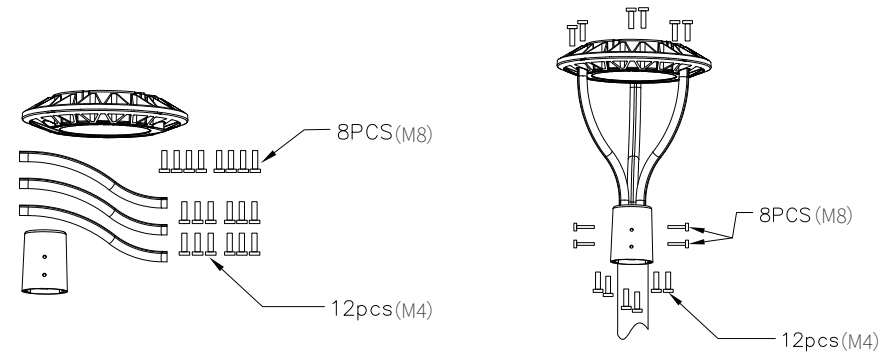


2. Wattage adjustable

Turn the DIP switch to different position, the power of the lamp will change to the corresponding wattage.



3. Components after opening the box



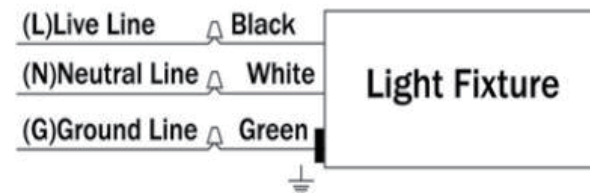
Attention

1. Please check if there is any damage during shipping. If so, please contact manufacturer timely.
2. Please read the installation instruction carefully to check whether all the accessories are complete. After confirmation, then install the fixture according to installation steps.

4. Wiring Diagram:

Universal voltage driver permits operation at 100V to 277VAC, 50 or 60Hz

1. Connect the black fixture line to the (L) Live line supply wire.
2. Connect the white fixture line to the (N) Neutral line supply wire.
3. Connect the green fixture line to the (G) Ground line supply ground

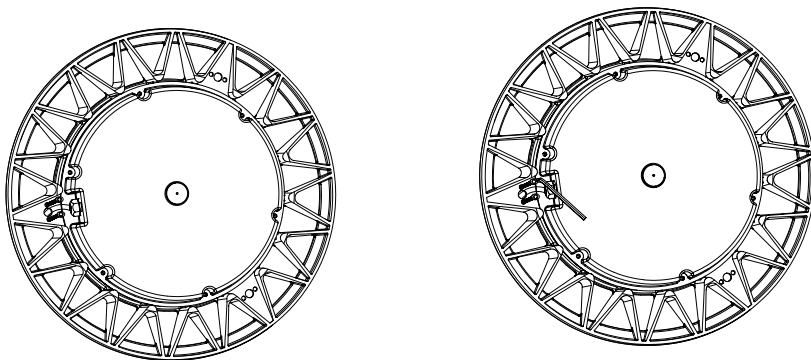


Installation Method:

- I、 Input Wire Cable get through the hole and wire pipe (3 holes & 3 wire pipes in total)



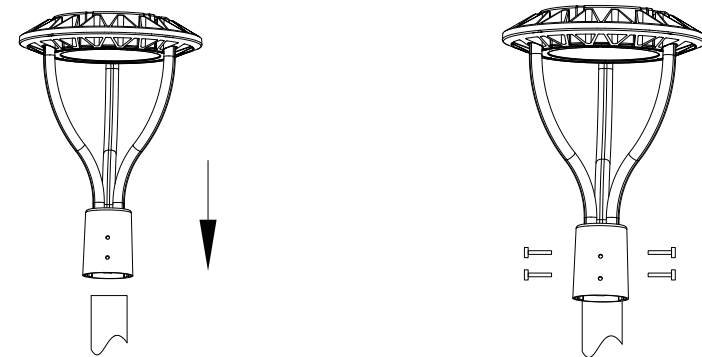
- II、 Use 2 pcs M4x12mm locking screws for each hole to fix the wire pipe, and fix all 3 pipes. (4mm allen wrench suggested for choice)



- III、 Input the three pipes into the tenon base, and tighten M4x12mm locking screw with 4mm allen wrench



- IV、 Put the fixture onto the pole directly, and tighten the screws. (3" or 2 3/8" Round Pole for choice)



Warning / Avertissement

Warning / Avertissement

MIN 75°C SUPPLY CONDUCTORS

THIS PRODUCT MUST BE INSTALLED IN ACCORDANCE WITH THE APPLICABLE INSTALLATION CODE BY A PERSON FAMILIAR WITH THE CONSTRUCTION AND OPERATION OF THE PRODUCT AND THE HAZARDS INVOLVED.

LES FILS D'ALIMENTATION 75°C MIN

CE PRODUIT DOIT ÊTRE INSTALLÉ SELON LE CODE D'INSTALLATION PERTINENT, PAR UNE PERSONNE QUI CONNAÎT BIEN LE PRODUIT ET SON FONCTIONNEMENT AINSI QUE LES RISQUES INHÉRENTS.