

Landscape Flood Light

Installation Guide



PLEASE READ ALL INSTRUCTIONS BEFORE ATTEMPTING INSTALLATION

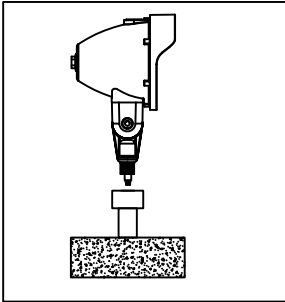
- To prevent personal injury or product damage only licensed electricians should install.
- To avoid electric shock or component damage disconnect power before attempting installation or servicing.
- This product must be installed in accordance with the national electric code (NEC) and all applicable federal, state and local electric codes and safety standards.
- Disconnect product and allow cooling prior to servicing.
- Any alteration or modification of this product is expressly forbidden as it may cause serious personal injury, death, property damage and/or product malfunction.
- To prevent product malfunction and/or electrical shock this product must be properly grounded.
- This luminaire is designed to operate in ambient temperatures ranging from -30°C to 40°C.

1、Unpacking

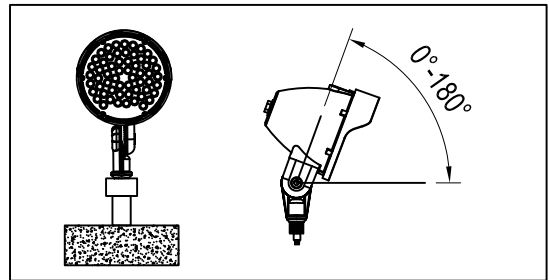
Thoroughly inspect the fixture for freight damage. Freight damage should be reported to the delivery carrier.

2、Install

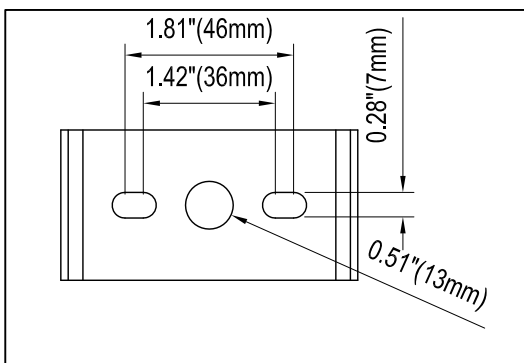
A 1.Connect AC power wire,then twist the light into fixed 1/2 pipe.



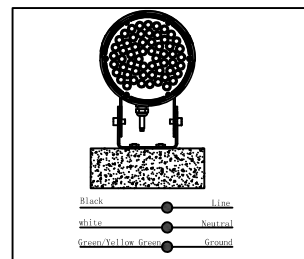
2.After the angle of the light set ,fasten the screw in the middle of adjustable arm.Make sure all connection is fine, the installation is done



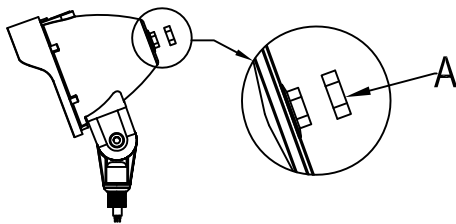
B 1.Drill 8mm hole on the wall or ground,please make sure the position of the crew hole match with the following dawing



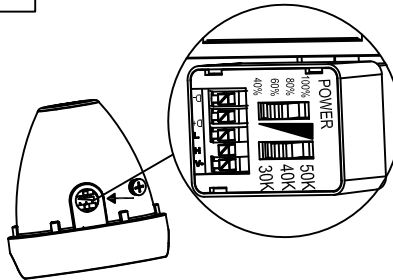
2.fixed the bracket on the crew hole,and adjust the angle of light according to your application, fasten the crew in the middle of adjustable arm,then Connect AC power wire.make sure all connection is fine,



B:CCT & Wattage Adjustable



TIP:If you need the light photocell function, remove the light control cover A



2) .Like picture B, Unscrew the plug, adjust wattage and cct as desired, and tighten the plug .

3、Checking

- 1). Does all the wires connect in a correct way as the pictures show below?
- 2). Is the ground lead installed appropriately?
- 3). make sure the photocell function well.

