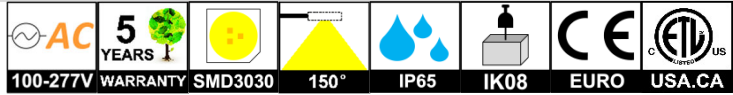


**INTRODUCTION**

**GTE2101D: LED POST TOP LIGHT**

**FEATURE**

- Patent LED Lighting Design
- Easy Installation and Maintenance
- Low-glare Uniform Light Distribution
- Elegance Daytime Appearance
- Long Lifespan > 50,000hours
- Working Temperature: -30°C~50°C



**MAIN MATERIAL**

- LED Brand: GUBO
- Driver Brand: GUBO
- Housing: Die-casted Aluminum
- Optics: High Efficiency Lens
- Diffuser: Anti-UV PC Opal Diffuser

**INSTALLATION**

- Mounting Slip Fitter [MSC]: Φ76mm
- Suitable for Road Light, like Street, Park.....

**STANDARD**

- Designed and Manufactured to Comply with CE/RoHS/CB/cETL/SAA Standard
- Withstand Voltage: 3.75KV, Surge: 6KV
- IP65 Protection, Class I Electric

**OPTION**

- LED CCT: 1,800K~10,000K/R/G/B/A
- [CRI]: [E] RA80, [G] RA90, [H] RA97
- [POST]: Height 3.5M/4.5M/6M
- Custom Housing Finish: Colors by RAL Code

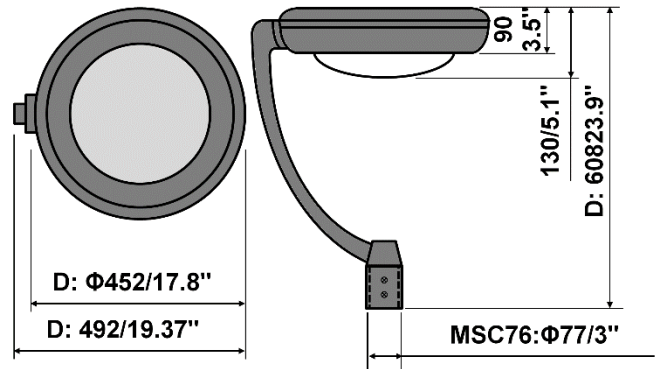
<b>WHITE</b>	<b>BLACK</b>	<b>GREY</b>	<b>DARK GREY</b>
RAL9010P	RAL9005P	RAL7042P	RAL7016P



**CASE STUDY**



**DIMENSION: [UNIT: MM]**

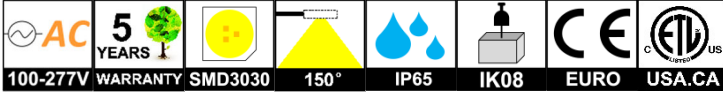


MODEL	POWER [W]	LED TYPE	CCT [K]	CRI	FLUX [LM]	POWER FACTOR	BEAM ANGLE	OPTIONAL DIMMING	INPUT [V]
GTE2101D	40W [30W]	144x2W SMD3030	G2700K	RA90	3000	>0.9	[Symmetric] T5:150°	[CDT]: TRIAC(15%) [CDV]: 0/1~10V(8%) [CDV0]: 0~10V(1%) [CDV1]: 1~10V(15%) [CDX]: DMX512(1%) [CDA]: DALI(1%) [CDP]: PWM(1%)	AC100~277V [AC100~240V] [AC100~347V] [AC180~528V] 50/60Hz
			G3000K	RA90	3240				
			G3500K	RA90	3240				
			G4000K	RA90	3480				
			G5000K	RA90	3480				
			G6000K	RA90	3400				
	60W	144x2W SMD3030	G2700K	RA90	4510	>0.9			
			G3000K	RA90	4860				
			G3500K	RA90	4860				
			G4000K	RA90	5210				
			G5000K	RA90	5210				
			G6000K	RA90	5100				
	80W	144x2W SMD3030	G2700K	RA90	6010	>0.9			
			G3000K	RA90	6480				
			G3500K	RA90	6480				
			G4000K	RA90	6950				
			G5000K	RA90	6950				
			G6000K	RA90	6800				
2C@80W	TWG	G2700K	G6000K	RA90	5760	>0.7			
3C@80W	RGB	620nm	520nm	465nm	\	5760	>0.6		
4C@80W	RGBWG	620nm	520nm	465nm	G2700K	\	5760	>0.6	
4C@80W	RGBA	620nm	520nm	465nm	590nm	\	5760	>0.5	

**NOTE:**

All parameters are measured at 25°C ambient temperature, 35% humidity experimental environment. Tolerances of power and luminous flux are ±10%, tolerance of color rendering index is ±5.

**GTE2101DS: LED POST TOP LIGHT**



**INTRODUCTION**

**FEATURE**  
 Patent LED Lighting Design  
 Easy Installation and Maintenance  
 Low-glare Uniform Light Distribution  
 Long Lifespan > 50,000hours  
 Working Temperature: -30°C~50°C

**MAIN MATERIAL**  
 LED Brand: GUBO  
 Driver Brand: GUBO  
 Housing: Die-casted Aluminum  
 Optics: High Efficiency Lens  
 Diffuser: Anti-UV PC Opal Diffuser

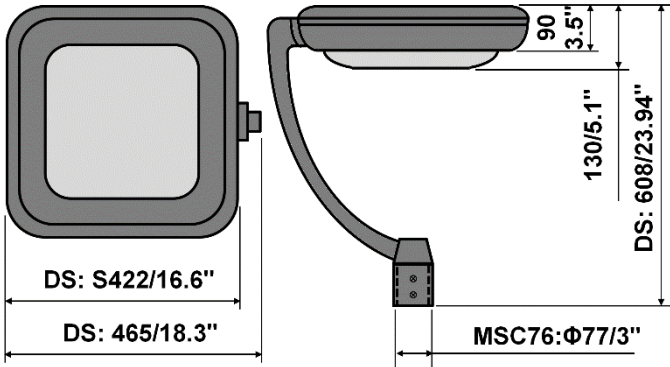
**INSTALLATION**  
 Mounting Slip Fitter [MSC]: Φ76mm  
 Suitable for Road Light, like Street, Park.....

**STANDARD**  
 Designed and Manufactured to Comply with  
 CE/RoHS/CB/cETL/SAA Standard  
 Withstand Voltage: 3.75KV, Surge: 6KV  
 IP65 Protection, Class I Electric

**OPTION**  
 LED CCT: 1,800K~10,000K/R/G/B/A  
 [CRI]: [E] RA80, [G] RA90, [H] RA97  
 [POST]: Height 3.5M/4.5M/6M  
 Custom Housing Finish: Colors by RAL Code

<b>WHITE</b> RAL9010P	<b>BLACK</b> RAL9005P	<b>GREY</b> RAL7042P	<b>DARK GREY</b> RAL7016P
--------------------------	--------------------------	-------------------------	------------------------------

**DIMENSION: [UNIT: MM]**



**CASE STUDY**



MODEL	POWER [W]	LED TYPE	CCT [K]	CRI	FLUX [LM]	POWER FACTOR	BEAM ANGLE	OPTIONAL DIMMING	INPUT [V]		
GTE2101DS	40W [30W]	144x2W SMD3030	G2700K	RA90	3000	>0.9	[Symmetric] T5:150°	[CDT]: TRIAC(15%) [CDV]: 0/1~10V(8%) [CDV0]: 0~10V(1%) [CDV1]: 1~10V(15%) [CDX]: DMX512(1%) [CDA]: DALI(1%) [CDP]: PWM(1%)	AC100~277V [AC100~240V] [AC100~347V] [AC180~528V] 50/60Hz		
			G3000K	RA90	3240						
			G3500K	RA90	3240						
			G4000K	RA90	3480						
			G5000K	RA90	3480						
	60W	144x2W SMD3030	G6000K	RA90	3400	>0.9					
			G2700K	RA90	4510						
			G3000K	RA90	4860						
			G3500K	RA90	4860						
			G4000K	RA90	5210						
	80W	144x2W SMD3030	G5000K	RA90	5210	>0.9					
			G6000K	RA90	5100						
			G2700K	RA90	6010						
			G3000K	RA90	6480						
			G3500K	RA90	6480						
	2C@80W	TWG	G2700K	G6000K	RA90	5760				>0.7	
	3C@80W	RGB	620nm	520nm	465nm	\				5760	>0.6
	4C@80W	RGBWG	620nm	520nm	465nm	G2700K				\	5760
4C@80W	RGBA	620nm	520nm	465nm	590nm	\	5760	>0.5			

**NOTE:**  
 All parameters are measured at 25°C ambient temperature, 35% humidity experimental environment.  
 Tolerances of power and luminous flux are ±10%, tolerance of color rendering index is ±5.