



| Electrical Information      |  |                          |                          |                          |                           |
|-----------------------------|--|--------------------------|--------------------------|--------------------------|---------------------------|
| <b>Model No.</b>            | CP07-25L   | CP07-40L                 | CP07-60L                 | CP07-80L                 | CP07-100L                 |
| <b>Power Consumption(W)</b> | 25/19/13/7.5 (Selectable)  | 40/30/20/12 (Selectable) | 60/45/30/18 (Selectable) | 80/60/40/24 (Selectable) | 100/75/50/30 (Selectable) |
| <b>Power Supply</b>         |  |                          |                          |                          |                           |
| <b>Input Voltage</b>        | 120-277 Vac, 120-347Vac, 50 / 60 Hz                                      |                          |                          |                          |                           |
| <b>Power Factor</b>         | >0.9   |                          |                          |                          |                           |
| <b>Surge Protection</b>     | 4kV line-line, 6kV line-earth  |                          |                          |                          |                           |
| <b>Driver Type</b>          | Constant current (CC)  |                          |                          |                          |                           |
| <b>Control</b>              | Dimmable, Microwave sensor, PIR sensor, 8W1.5H emergency backup optional |                          |                          |                          |                           |
| <b>Note</b>                 | NA   |                          |                          |                          |                           |

\* The tolerance for power is ±5%.

| Optic Information                    |                           |      |      |                 |       |
|--------------------------------------|---------------------------|------|------|-----------------|-------|
| <b>LED Type</b>                      | LED 2835                  |      |      |                 |       |
| <b>Luminous Flux@4000K Ra70 (lm)</b> | 4125                      | 6600 | 9900 | 13200           | 16500 |
| <b>Efficacy@3000K Ra70(lm/W)</b>     | 150                       |      |      |                 |       |
| <b>Efficacy@4000K Ra70(lm/W)</b>     | 165                       |      |      |                 |       |
| <b>Efficacy@5000K Ra70(lm/W)</b>     | 155                       |      |      |                 |       |
| <b>Correlated Color Temperature</b>  | CCT (3000K, 4000K, 5000K) |      |      |                 |       |
| <b>Color Rendering Index</b>         | Ra70 (Ra80 optional)      |      |      |                 |       |
| <b>Beam Angle</b>                    | U00C09 (Type V)           |      |      | U00C07 (Type V) |       |
| <b>UGR level</b>                     | NA                        |      |      |                 |       |

\* The tolerance for luminous flux is ±10%.

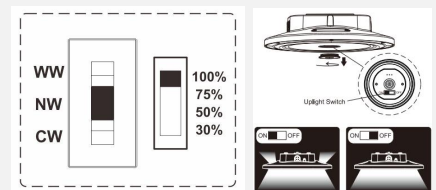
| Dimensions and Mount                 |  |                              |
|--------------------------------------|--|------------------------------|
| <b>Product Dimension (mm/inch)</b>   | φ272x78/φ10.7x3                              | φ322x84/φ12.7x3.3            |
| <b>Luminaire Net Weight (kg/lbs)</b> | 2.1/4.63                                     | 2.6/5.73                     |
| <b>Export Carton Size (mm/inch)</b>  | 330x330x130/13x13x5.12                       | 375x375x140/14.76x14.76x5.51 |
| <b>Gross Weight (kg/lbs)</b>         | 2.8/6.1                                      | 3.8/8.4                      |
| <b>Mounting Option</b>               | Surface mounting, Conduit mounting           |                              |
| <b>Material</b>                      | Aluminum alloy<br>Polycarbonate optical lens |                              |
| <b>Finish</b>                        | Powder coating                               |                              |
| <b>Fixture Color</b>                 | White (RAL9016)                              |                              |
| <b>EPA</b>                           | NA   |                              |
| <b>IK Rating</b>                     | IK08   |                              |
| <b>IP Rating</b>                     | IP65   |                              |
| <b>Category of corrosion</b>         | C3   |                              |

\* The tolerance for weight is ±6%.

| Lifespan and Warranty                                     |                            |                            |
|---|----------------------------|----------------------------|
| <b>Operating Temperature(°C/°F)</b>                       | -30 to +50 / (-22 to +122) | -30 to +45 / (-22 to +113) |
| <b>Operating Temperature of Emergency Solution(°C/°F)</b> | 0 to +40 / (32 to +104)    |                            |
| <b>Lifespan of LED @Ta=25°C(hours)</b>                    | L80-91000<br>L70-153000    |                            |
| <b>Warranty (years)</b>                                   | 5                          |                            |

### New Features

- 3 CCT available.
- Power selectable, available for 30%, 50%, 75% and 100%.
- External emergency back up optional.
- Up light switch as standard.
- PIR / microwave sensor only work for lighting fixture with 100% power output



### Description

Terse design of appearance, simple and light structure, more in line with the modern aesthetic. Uplight is a standard design feature, which eliminates the "cave effect" often caused by traditional parking garage light, making them ideal for applications that require more attention to the ambiance.

### Key Features

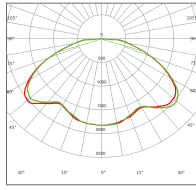
- ADC12 die-casting aluminum, which has excellent heat dissipation effect.
- High output efficiency up to 165lm/W.
- PIR/microwave sensor are optional.
- 3CCT & 4 power adjustable.
- Up light switch as standard.
- The uplight flux accounts for 5%-10% of the total fixture light flux.
- Emergency backup available.
- 3/4"NPT mount and ceiling mount are available.
- IP65 & IK08.

### Applications

- Indoor parking area
- Garage
- Basement

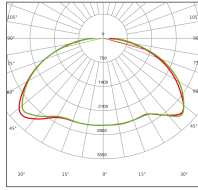
### Photometry

25W/40W/60W beam angle



U00C09

80W/100W beam angle



U00C07

### Mounting Options



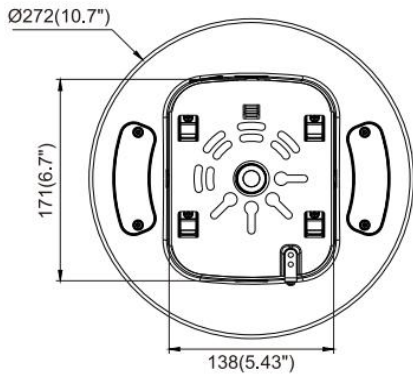
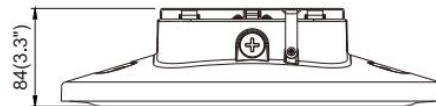
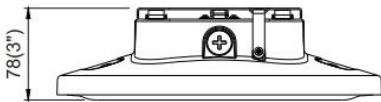
Surface mounting



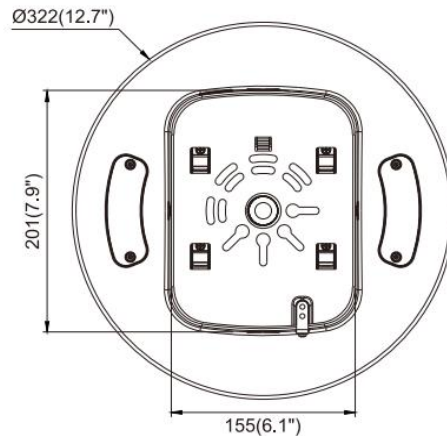
Conduit mounting

### Dimensions

Unit:mm/inch



25W/40W/60W



80W/100W

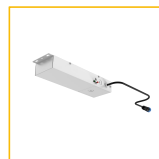
### Accessories



**Motion sensor**  
PC  
Φ52\*20mm  
Code: SR-H30-01



**PIR sensor**  
PC  
Φ61\*28mm  
Code: HN074-01VRPH



**Emergency kit**  
SPCC  
8W1.5H emergency backup  
Operating Voltage: 120-277V  
IP Rating:IP20  
Code: EM-C02-01



**Emergency kit**  
SPCC  
8W1.5H emergency backup  
Operating Voltage: 120-347V  
IP Rating:IP20  
Code: EM-C02-02