

WARNING	<p>IMPORTANT: Read carefully before installing fixture. Retain for future reference.</p> <p>GENERAL: Upon receipt of the fixture, thoroughly inspect for any freight damage which should be brought to the attention of the delivery carrier. Compare the catalog description listed on the packing slip with the fixture label on the housing to assure you have received the correct material.</p> <p>SAFETY: This fixture must be wired in accordance with the National Electrical Code and applicable local codes and ordinances. Proper grounding is required to insure personal safety. Carefully observe grounding procedure under installation section.</p> <p>APPLICATIONS: This lighting fixture is designed for outdoor lighting services, and should not be used in area of limited ventilation or inside high ambient temperature enclosures. It must be stored in a dry location prior to installation. Do not expose lighting fixture to rain, dust or other environmental condition prior to installation and insertion of photo control or shorting cap (if so equipped). Do not install the fixture near combustible materials or locate next to airflow blocking surfaces. Best results will be obtained if installed and maintained according to the following recommendation</p>
<p>Customer is responsible for engineering analysis to confirm pole and fixture compatibility for all applications. Serious bodily injury or property damage may occur if the pole mounted luminaire is not installed to a compatible new or existing pole specific to the conditions of your installation and physical location</p>	
WARNING	
<p>Make certain power is OFF before starting installation or attempting any maintenance</p>	
WARNING	
<p>Risk of fire/electric shock. If not qualified, consult an electrician</p>	
WARNING	
<p>Risk of Electric Shock – Disconnect power at fuse or circuit breaker before installing or servicing</p>	
WARNING	
<p>Risk of Burn – Disconnect power and allow fixture to cool before servicing</p>	
WARNING	
<p>Risk of Personal Injury – Fixture may become damaged and/or unstable if not installed properly</p>	

Installation Instruction

S101 CitySoft® Site、Area & Roadway Luminaire 3F

Specifications <ul style="list-style-type: none">● Materials: Casting Aluminum with Tempered glass● Finishing: Powder coating / Bronze、Grey and Black● Input: 100-277Vac 50/60Hz Class I & Class II● PF>0.92 at full load. THD<10% at full load● Minimum 6KV surge protection● Minimum 70CRI and 2700K/4000K/5000K/6000K● Dimmable、Timer control、DALI、Photo-sensor● Rated IP66 and IK09; CE SAA EMC ETL CB Approval● Complies with the material restrictions of RoHS● L80 average lifespan: >60,000 hours● 5 Years warranty	Model	N.W.	Dimension	Pole Dia.	EPA
	PG3F 36W	11.2	400*589*658*76	60&76mm	0.83
	PG3F 60W	11.4	400*589*658*76	60&76mm	0.83
	PG3F 80W	11.6	400*589*658*76	60&76mm	0.83
	PG3F 98W	12.0	400*589*658*76	60&76mm	0.83
	MB3F 25W	10.2	400*589*658*76	60&76mm	0.83
	MB3F 35W	10.4	400*589*658*76	60&76mm	0.83
	MB3F 60W	10.6	400*589*658*76	60&76mm	0.83

Unit 1 (N.W.): Kg / Unit 2 (Size): mm / Unit 3 (EPA): Sq. Ft.

Note: Care must be taken not to set lighting fixture down on optical lenses or lift the fixture in the lens area

Mountings & Installation

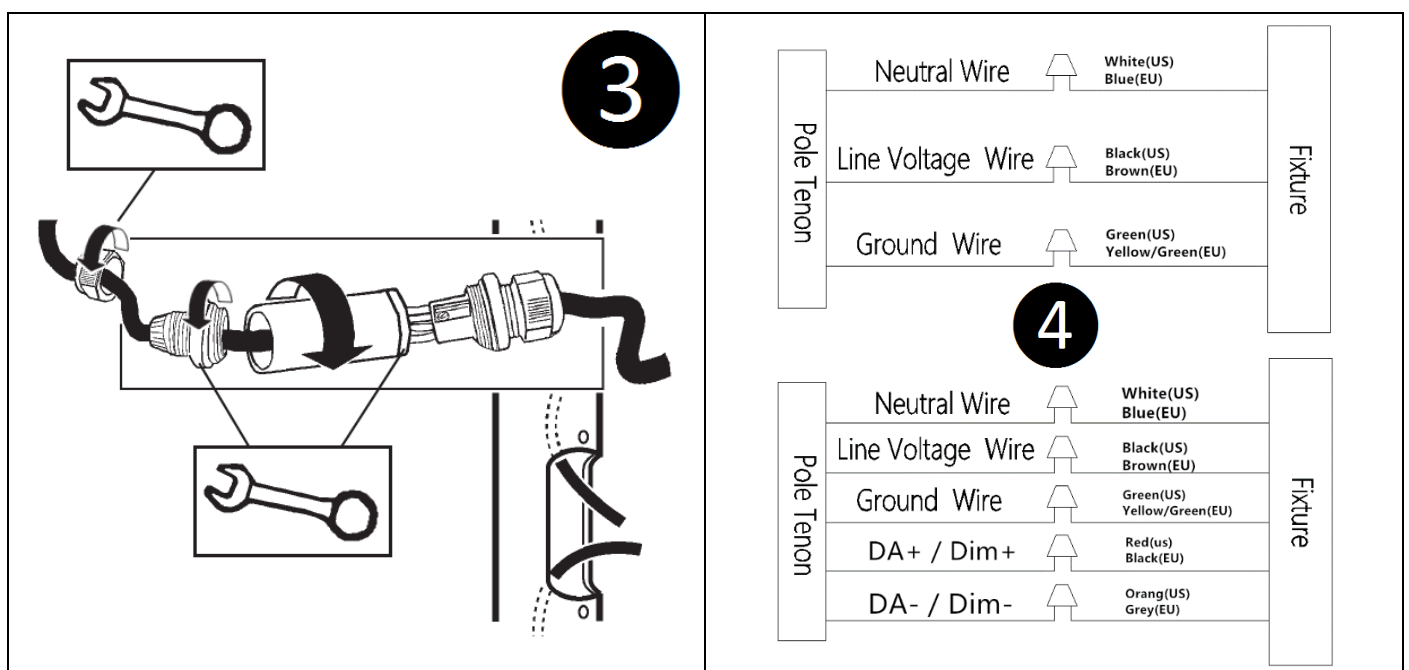
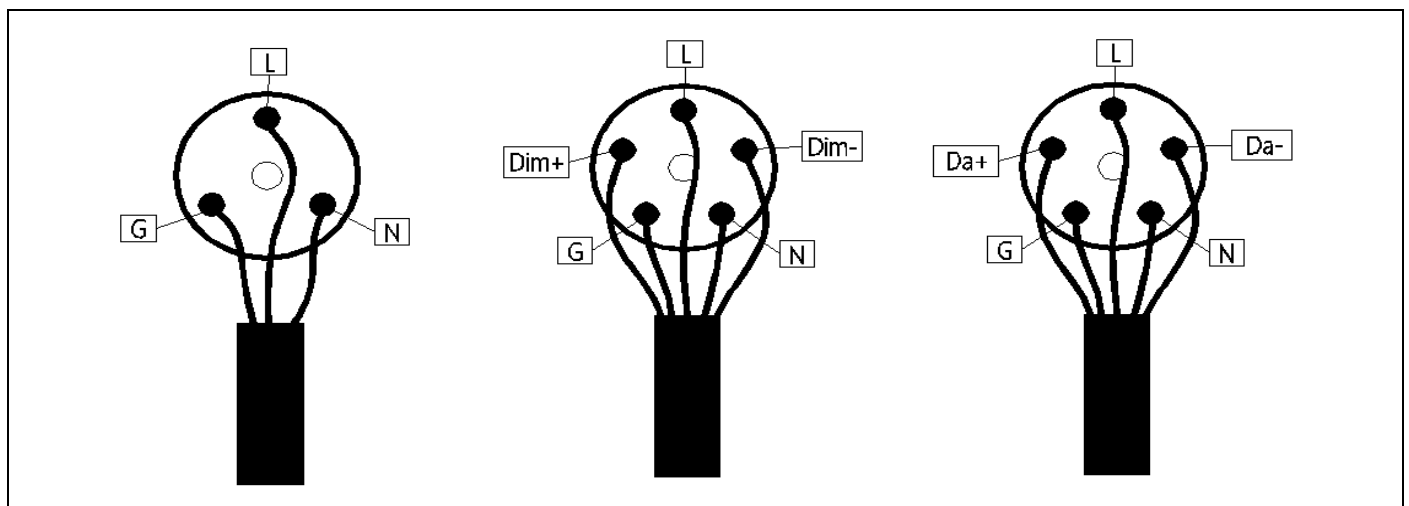
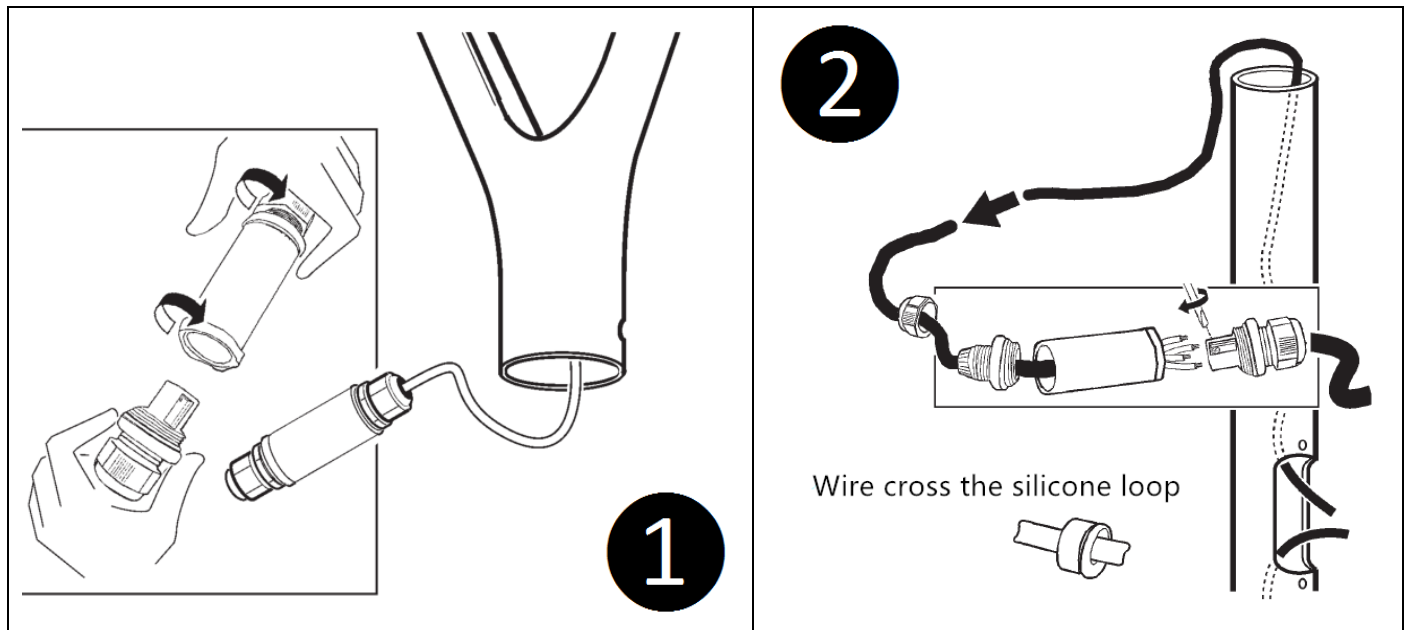
- Suggested installation height 2.5m(8ft) to 6.0m(20ft)
- Pole-top installation on poles with ending part Ø76mm (3.0") O.D. and or Ø60mm (2-3/8") O.D.
- Pole Top with 76mm (3.0") and or 60mm (2-3/8") O.D. Tenon, Tenon length range 100mm-130mm
- 0.5m outlet Input cable offered as standard and customized cable length is acceptable

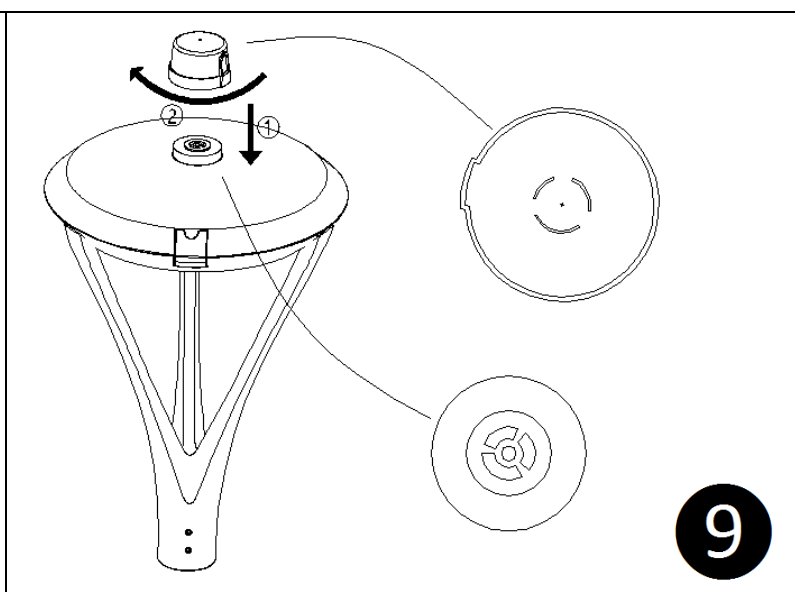
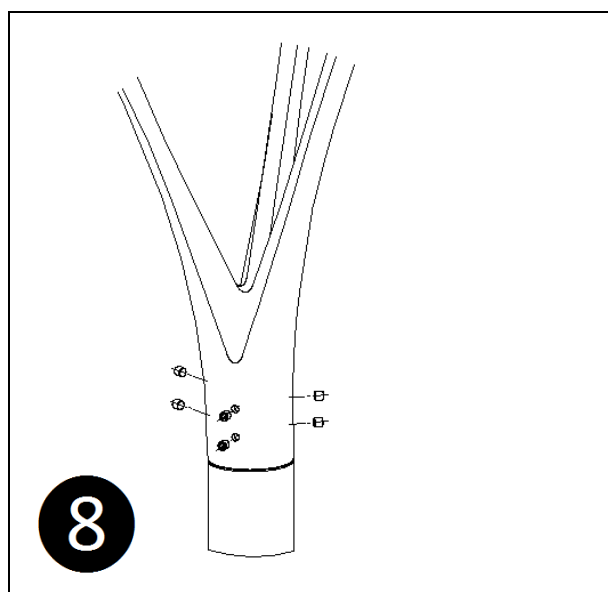
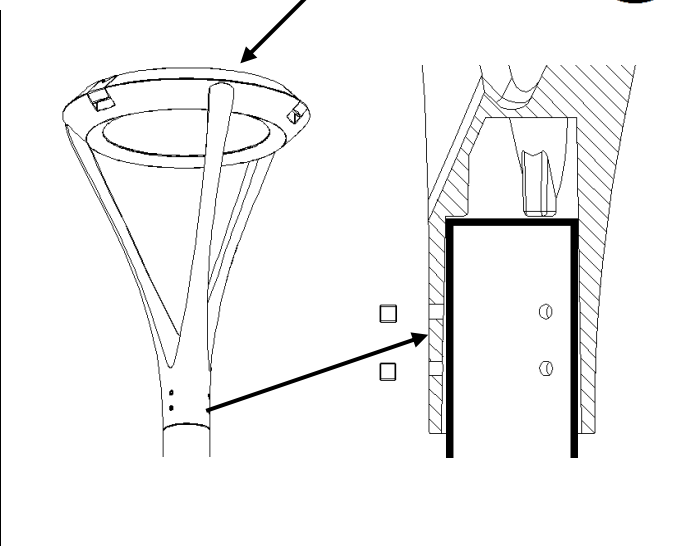
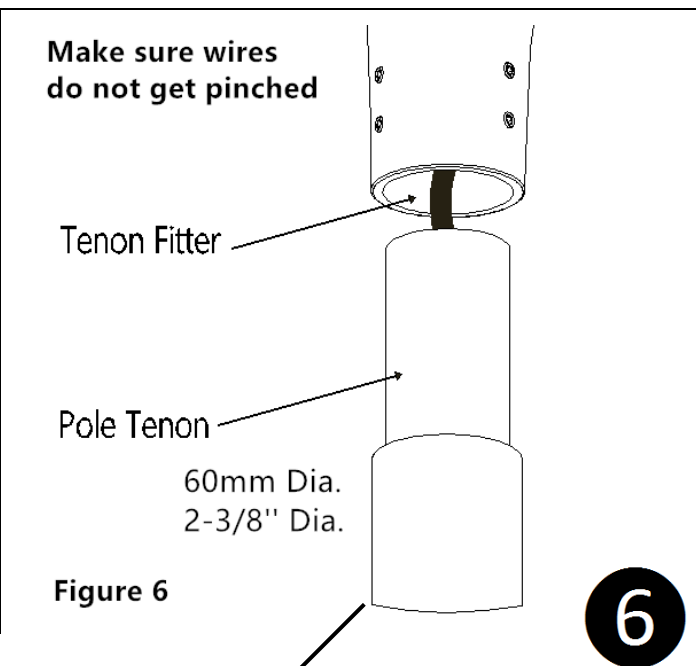
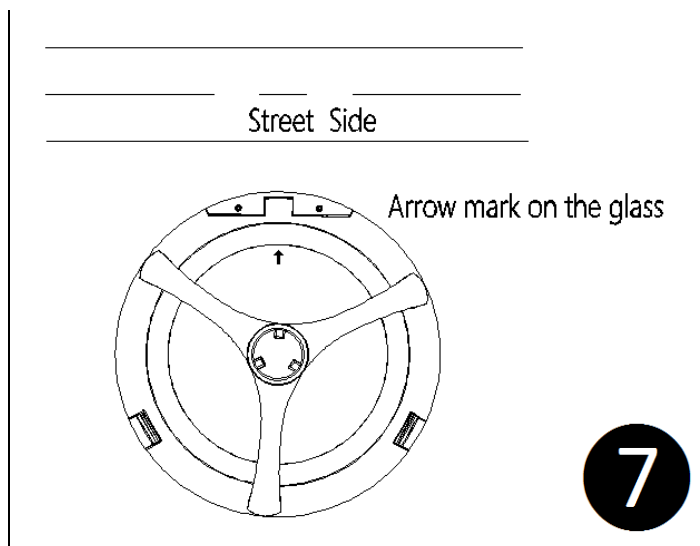
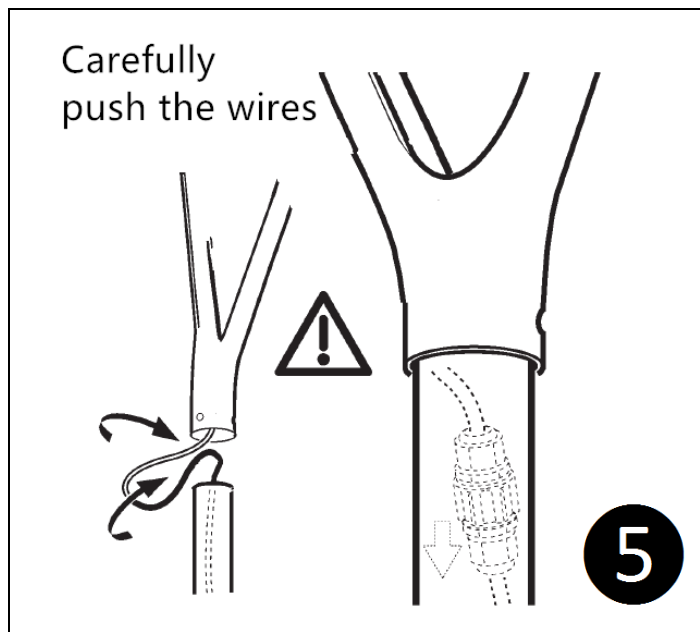
Installation method

1. Switch the power supply and take out the luminaire from the package carefully
2. Pull three leads from luminaire tenon fitter and supply leads from the pole tenon
3. Connect the luminaire leads to one side of a waterproof connector (Provided upon ordering) (Figure 1)
4. Connect the supply side wire to the other side of the waterproof connector (Figure 2)
5. Lock well the waterproof connector (Figure 3)
6. Wiring methods as below (Figure 4)
 - Supply side ground wire to Green luminaire lead (US); to Yellow/Green luminaire lead (EU)
 - Supply side neutral wire to White luminaire lead (US); to Blue luminaire lead (EU)
 - Supply side line voltage wire to Black luminaire lead (US); to Brown luminaire lead (EU)
 - Red luminaire lead Dim+/DALI+ (US); Black luminaire lead Dim+/DALI+ (EU)
 - Orange luminaire lead Dim-/DALI- (US); Grey luminaire lead Dim-/DALI- (EU)
7. Once connections are completely made, carefully push all wires down into the tenon (Figure 5)
8. Slip fit the fixture onto the tenon. Note: Make sure wires do not get pinched (Figure 6)
9. For luminaire with asymmetric optics, rotate the fixture according to arrow mark on the glass towards the street side. (Figure 7)
10. Install six set screws and tighten to the pole. (Figure 8)
11. Install the Photosensor if needed, rotate the sensor clockwise at approx. 30° to lock it (Figure 9)

Installation Instruction

S101 CitySoft® Site、Area & Roadway Luminaire 3F





WARNING

1. To avoid damage, falling, electric shock or fire, please do not modify the lamp or replace accessories without confirming with the supplier first
2. Please authorize only qualified personnel to install the lamp and ensure they follow the instruction manual. Any improper installation might cause falling, electric shock, fire, or other injury, damage or hazard
3. Please disconnect power before installation or any maintenance of the lamp
4. Please disconnect power if it begins to smoke or emit odors, since fire or electric shock may occur. Ask qualified person to inspect and maintain the luminaire
5. Please do not dismantle the lamp without the supplier's authorization
6. Please do not touch the power supply when the lamp is operating
7. If the external flexible cable or cord of the luminaire is damaged, it should only be replaced by the supplier, a service agent or qualified person
8. Terminal block not included. Installation may require advice from a qualified person
9. The light source contained in this luminaire shall only be replaced by the manufacturer or his service agent or a similar qualified person
10. Only to be installed outside arms reach
11. For use in environments where an accumulation of non-conductive dust on the luminaire may be expected