

INTRODUCTION

FEATURE

Optimized Professional Architecture Lighting
 Superior Durable Outdoor Lighting
 Modular Structure For Various Installation Location
 Long Lifespan Design>50,000hours
 Working Temperature: -30℃~50℃

MAIN MATERIAL

LED Brand: GUBO
 Driver Brand: GUBO
 Housing: Die-casted Aluminum Radiator
 Optics: High Efficiency PC Lens
 Diffuser: Clear Tempered Glass Diffuser

INSTALLATION

Stake Mount or Surface Mounted
 Suitable for Exterior Illumination, Like Architecture.....

STANDARD

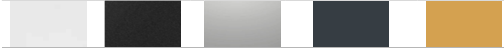
Designed and Manufactured to Comply with CE/RoHS/CB/cETL/SAA/SASO Standard

IP67 Protection, Class III Electric

OPTIONS

LED CCT: 1,800K~10,000K/R/G/B/Y
 LED Grown Light: **Full Spectrum** 380nm~840nm
 [CRI]: [E] Ra80, [G] Ra90, [H] Ra97
 [BGL]: Anti-glare Louver
 [CCB-FM]: Female and Male waterproof Connector
 [F1] Custom Housing Finish: Colors by RAL Code

WHITE	BLACK	GREY	DARK GREY	BRASS
RAL9010P	RAL9005P	RAL7042P	RAL7016P	RAL1024P

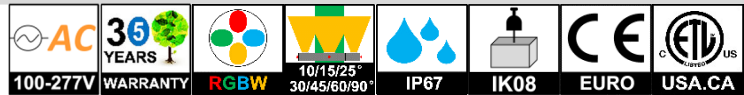


CASE STUDY:

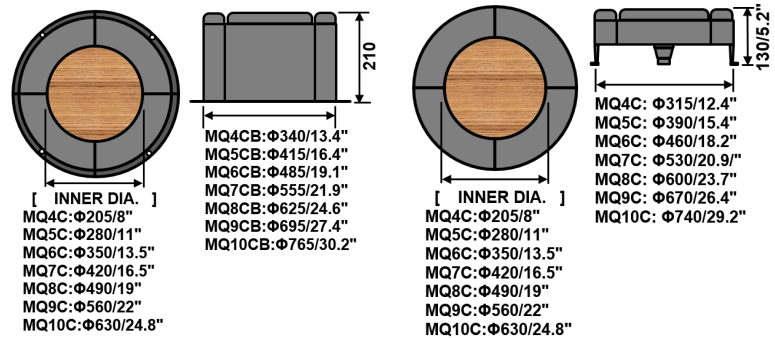


Notes: Custom Installation and Accessories Referred to Another Specification Catalogue of Fixing Kits.

GTE6606A: LED RING LIGHT



DIMENSION: [UNIT: MM]



NOTE:

- The Smallest Ring is 205mm(8") and Made Up of Four Modules.
- Extend Ring Diameter Freely by Module Unit
- Each Module Can Extend the Ring Diameter up to 70mm (2.75")

MODEL	Parameter of Only One Modular LS1					POWER FACTOR	BEAM ANGLE	REMOTE DRIVER	INPUT [V]			
	POWER [W]	LED TYPE	CCT [K]	CRI	FLUX [LM]							
GTE6606A- MQ1SA MQ1SB	6W	12x2W SMD3030	G2500K	RA90	360	>0.9	[Symmetric] BL15D:15° BL25D:25° BL30D:30° BL45D:45° BL60D:60° BL90D:90° BL120D:120°					
			G2700K	RA90	450							
			G3000K	RA90	490							
			G3500K	RA90	490							
			G4000K	RA90	520							
			G5000K	RA90	520							
			G5700K	RA90	520							
	G6500K	RA90	520									
	2C@6W	TWG	G2700K	G6500K	RA90	350	>0.9	[Oval] BLV10x45° BLV10x65° BLV30x70°	[CDT]:TRIAC(10%) [CDV]:0~10V(8%) [CDV0]:0~10V(1%) [CDV1]:1~10V(10%) [CDX]:DMX512(1%) [CDA]:DALI(1%) [CDP]:PWM(1%)			
	3C@6W	RGB	620nm	520nm	460nm	\	350			>0.7		
	4C@6W	RGBW	620nm	520nm	460nm	G2700K	\			350	>0.5	
	4C@6W	RGBA	620nm	520nm	460nm	590nm	\			350	>0.5	
	12W	12x5W SMD3535	G2500K	RA90	720	>0.9	[BGS] Shield [BDF] LM-20% BDF:120° [BGL] LM-20% Louver					
			G2700K	RA90	910							
			G3000K	RA90	980							
G3500K			RA90	980								
G4000K			RA90	1030								
G5000K			RA90	1030								
G5700K			RA90	1030								
G6500K			RA90	1030								
2C@12W			TWG	G2700K	G6500K					RA90	700	>0.9
3C@12W			RGB	620nm	520nm					460nm	\	700
4C@12W	RGBW	620nm	520nm	460nm	G2700K	\	700	>0.5				
4C@12W	RGBA	620nm	520nm	460nm	590nm	\	700	>0.5				

NOTE:

All parameters are measured at 25℃ ambient temperature, 35% humidity experimental environment. Tolerances of power and luminous flux are ±10%, tolerance of color rendering index is ±5.