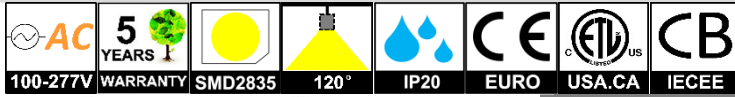


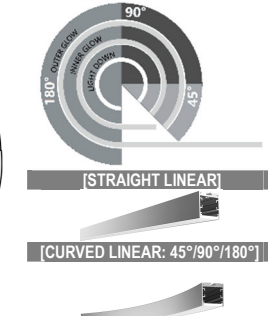
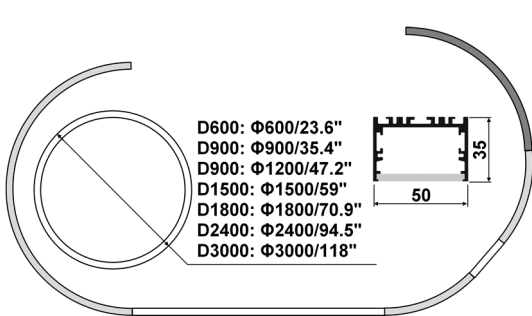
LED CURVED LINEAR LIGHT



SPLICER			[CLIP-P]	CEILING SLIM CANOPY ON JBOX		
[SP180H]	[SPR45]	[SPR90]	PANDENT	MODEL:	CRJ125A	CSJ125A
				DIMENSION(MM)	D125xH5	D125xH5
IMAGE				IMAGE		

MODEL: DIMENSION(MM) APPLICATION: IMAGE	CEILING CIRCULAR CANOPY: LED DRIVE PLACEABLE				CEILING RECTANGLE CANOPY: LED DRIVE PLACEABLE			
	D6": CRA150 D150xH40 UP TO 60W	D10": CRA250 D250xH40 UP TO 200W	D14": CCD350 D350xH40 UP TO 200W	D20": CCD500 D500xH40 UP TO 500W	L12": CRD300 D305xW140xH40 UP TO 200W	L24": CRD600 D610xW140xH40 UP TO 400W	L36": CRD900 D915xW140xH40 UP TO 600W	L48": CRD1200 D1220xW140xH40 UP TO 800W

DIMENSION: [UNIT: MM]	PROFILE	CASE STUDY
-----------------------	---------	------------



INTRODUCTION

FEATURE

Freedom Combination of LED Circular Linear Lighting
 Skilled Manufacturing to Keep Durable Uniform Quality
 Long Lifespan > 50,000hours
 Working Temperature -30°C~50°C

MATERIAL & FINISH

LED Brand: GUBO [LM80]
 Remote Flicker-free Driver Brand: GUBO
 Housing: Anodized Aluminum Profile Housing
 Diffuser: Opal PC Diffuser

INSTALLATION

Surface Mounted or Pendant
 Widely Application for Ceiling Light, Like Office, Home, Hotel, Shop.....

STANDARD

Designed and Manufactured to Comply with
 CE/ROHS/EMF/GS/CB/cETL/SAA/SASO Standard
 IP20 and IK06 Protection, Class II Electrical

OPTION

LED CCT: 1,800K~10,000K/R/G/B/Y
 [CRI]: RA80, [G] RA90, [H] RA97
 Personal Eye Protection Standard: RG0 (EN166:2001)
 Custom Housing Finish: Colors by RAL Code

WHITE [HMWT]	BLACK [HMBK]	SILVER [HMSV]	DARK GREY [HMGRD]	BRASS [HMBS]
--------------	--------------	---------------	-------------------	--------------



MODEL	POWER [W]	LED TYPE	CCT [K]	CRI	LUMEN [LM]	POWER FACTOR	BEAM ANGLE	OPTIONAL DIMMING	INPUT [V]		
GTR7703A-DD-D600	48W [24W/M]	240x0.5W SMD2835	G3000K	RA90	3300	> 0.9	[Symmetric] 120°	[CDT]:TRIAC(10%) [CDV]:0/1~10V(8%) [CDV0]:0~10V(1%) [CDV1]:1~10V(10%) [CDX]:DMX512(1%) [CDA]:DALI(1%) [CDZ]:ZIGBEE(1%) [CDP]:PWM(1%)	AC100~240V [AC100~277V] [AC180-528V] 50/60Hz		
			G4000K	RA90	3740						
			G6000K	RA90	3960						
GTR7703A-DN-D600	2C@48W	120TGW	G2700K	G6000K	RA90	2880				> 0.6	
			4C@48W	120RGB	620nm 520nm 465nm	/				1920	> 0.5
			4C@48W	120RGBW	620nm 520nm 465nm G2700K	RA90				2400	> 0.5
			4C@48W	120RGBW	620nm 520nm 465nm G2700K	RA90				2400	> 0.5
GTR7703A-DD-D900	72W [24W/M]	360x0.5W SMD2835	G3000K	RA90	4940	> 0.9					
			G4000K	RA90	5620						
			G6000K	RA90	5940						
			2C@72W	180TGW	G2700K		G6000K	RA90	4320	> 0.6	
GTR7703A-DN-D900	4C@72W	180RGB	620nm 520nm 465nm	/	2880	> 0.5					
			4C@72W	180RGBW	620nm 520nm 465nm G2700K	RA90	3600	> 0.5			
			4C@72W	180RGBW	620nm 520nm 465nm G2700K	RA90	3600	> 0.5			
			4C@72W	180RGBW	620nm 520nm 465nm G2700K	RA90	3600	> 0.5			
GTR7703A-DD-D1200	96W [24W/M]	960x0.5W SMD2835	G3000K	RA90	6600	> 0.9					
			G4000K	RA90	7480						
			G6000K	RA90	7920						
			2C@96W	240TGW	G2700K		G6000K	RA90	5760	> 0.6	
GTR7703A-DN-D1200	4C@96W	240RGBW	620nm 520nm 465nm	/	3840	> 0.5					
			4C@96W	240RGBW	620nm 520nm 465nm G2700K	RA90	4800	> 0.5			
			4C@96W	240RGBW	620nm 520nm 465nm G2700K	RA90	4800	> 0.5			
			4C@96W	240RGBW	620nm 520nm 465nm G2700K	RA90	4800	> 0.5			
GTR7703A-DD-D1500	120W [24W/M]	1200x0.5W SMD2835	G3000K	RA90	8250	> 0.9					
			G4000K	RA90	9350						
			G6000K	RA90	9890						
			2C@120W	300TGW	G2700K		G6000K	RA90	7200	> 0.6	
GTR7703A-DN-D1500	4C@120W	300RGBW	620nm 520nm 465nm	/	4800	> 0.5					
			4C@120W	300RGBW	620nm 520nm 465nm G2700K	RA90	6000	> 0.5			
			4C@120W	300RGBW	620nm 520nm 465nm G2700K	RA90	6000	> 0.5			
			4C@120W	300RGBW	620nm 520nm 465nm G2700K	RA90	6000	> 0.5			
GTR7703A-DD-D1800	144W [24W/M]	1440x0.5W SMD2835	G3000K	RA90	9880	> 0.9					
			G4000K	RA90	11240						
			G6000K	RA90	11880						
			2C@144W	360TGW	G2700K		G6000K	RA90	8640	> 0.6	
GTR7703A-DN-D1800	4C@144W	360RGB	620nm 520nm 465nm	/	5760	> 0.5					
			4C@144W	360RGBW	620nm 520nm 465nm G2700K	RA90	7200	> 0.5			
			4C@144W	360RGBW	620nm 520nm 465nm G2700K	RA90	7200	> 0.5			
			4C@144W	360RGBW	620nm 520nm 465nm G2700K	RA90	7200	> 0.5			
GTR7703A-DD-D2400	200W [24W/M]	1920x0.5W SMD2835	G3000K	RA90	13740	> 0.9					
			G4000K	RA90	15560						
			G6000K	RA90	16500						
			2C@200W	480TGW	G2700K		G6000K	RA90	12000	> 0.6	
GTR7703A-DN-D2400	4C@200W	480RGBW	620nm 520nm 465nm	/	8000	> 0.5					
			4C@200W	480RGBW	620nm 520nm 465nm G2700K	RA90	10000	> 0.5			
			4C@200W	480RGBW	620nm 520nm 465nm G2700K	RA90	10000	> 0.5			
			4C@200W	480RGBW	620nm 520nm 465nm G2700K	RA90	10000	> 0.5			
GTR7703A-DD-D3000	240W [24W/M]	2400x0.5W SMD2835	G3000K	RA90	16480	> 0.9					
			G4000K	RA90	18680						
			G6000K	RA90	19800						
			2C@240W	600TGW	G2700K		G6000K	RA90	14400	> 0.6	
GTR7703A-DN-D3000	4C@240W	600RGBW	620nm 520nm 465nm	/	9600	> 0.5					
			4C@240W	600RGBW	620nm 520nm 465nm G2700K	RA90	12000	> 0.5			
			4C@240W	600RGBW	620nm 520nm 465nm G2700K	RA90	12000	> 0.5			
			4C@240W	600RGBW	620nm 520nm 465nm G2700K	RA90	12000	> 0.5			

NOTE:

All parameters are measured at 25°C ambient temperature, 35% humidity experimental environment.

Tolerances of power and luminous flux are ±10%, tolerance of color rendering index is ±3.

CIP Lighting T: 1-803-766-0243 W.: www.ciplighting.com E: info@ciplighting.com