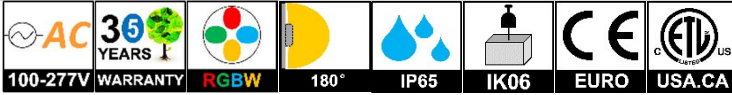


**GTG1208A-MCA95A: LED BULKHEAD LIGHT**

**INTRODUCTION**



**FEATURE**

Durable Optimized LED Lighting  
 Skilled Manufacturing Technology  
 Long Lifespan >50,000hours  
 Working Temperature: -30°C~50°C

**MAIN MATERIAL**

LED Brand: SMD (LM80)  
 Driver Brand: GUBO  
 Housing: Pure Aluminum Profile  
 Diffuser: Antiglare Opal PC Diffuser

**INSTALLATION**

[FFS] Surface Mounted: Ceiling, Wall  
 [FPW]: Wire Pendant  
 Suitable for Architecture Illumination, Like  
 Balcony, Veranda, External Wall...

**STANDARD**

Designed and Manufactured to Comply with  
 TUV/CB/CE/RoHS/SAA/Erp/cETL/FCC  
 IP65 Protection, Class I & II Electrical

**OPTION**

LED CCT: 1,800K~10,000K/R/G/B/Y  
 [CRI]: [E] Ra80, [G] Ra90, [H] Ra97

**[SFH]:Custom Housing Finish Colors by RAL Code**

White RAL9003P	Black RAL9005P	Anthracite Grey RAL7016P	Dusty Grey RAL7037P	Traffic Grey RAL7042P	White Aluminum RAL9006P	Grey Brown RAL8019P	Telegrey RAL7047P	Graphite Grey RAL7043P	Pearl Grey RAL9022P
-------------------	-------------------	-----------------------------	------------------------	--------------------------	----------------------------	------------------------	----------------------	---------------------------	------------------------

MODEL	POWER [W]	LED TYPE	CCT [K]				CRI	FLUX [LM]	POWER FACTOR	BEAM ANGLE	OPTIONAL DIMMING	INPUT [V]
GTG1208A-MCA95A-L305	12W [20W]	180x0.5W SMD2835	H2700K				Ra97	980	> 0.9	180°	[CDN]: Non-Dim [CDT]: TRIAC(15%) [CDV]: 0/1~10V(8%) [CDV0]: 0~10V(1%) [CDV1]: 1~10V(15%) [CDX]: DMX512(1%) [CDA]: DALI(1%) [CRZ]: ZIGBEE(1%) [CRF]: 2.4G RF (1%) [CDP]: PWM(1%)	AC100~277V [AC220~240V] [AC100~240V] [AC100~347V] 50/60Hz
			H3000K				Ra97	1020				
			H4000K				Ra97	1080				
			H5000K				Ra97	1080				
			2C@12W	TW	H2700K	H6000K	Ra97	980				
4C@12W	RGBW	620nm	520nm	460nm	H2700K	\	980	> 0.9				
GTG1208A-MCA95A-L458	20W [12W]	180x0.5W SMD2835	H2700K				Ra97	1640	> 0.9	[BDM] 180°	[CSL]: Photocell Lux Sensor [CSM]: Micro Motion Sensor [CSMD]: Bi-level Microwave Motion Sensor	[CV DC12V] [CV DC24V] [CV DC48V]
			H3000K				Ra97	1700				
			H4000K				Ra97	1800				
			H5000K				Ra97	1800				
			2C@20W	TW	H2700K	H6000K	Ra97	1640				
4C@20W	RGBW	620nm	520nm	460nm	H2700K	\	1640	> 0.9				
GTG1208A-MCA95A-L600	30W [20W] [40W]	240x0.5W SMD2835	H2700K				Ra97	2430	> 0.9	[BDM] 180°	[CSL]: Photocell Lux Sensor [CSM]: Micro Motion Sensor [CSMD]: Bi-level Microwave Motion Sensor	[CV DC12V] [CV DC24V] [CV DC48V]
			H3000K				Ra97	2520				
			H4000K				Ra97	2660				
			H5000K				Ra97	2660				
			2C@30W	TW	H2700K	H6000K	Ra97	2430				
4C@30W	RGBW	620nm	520nm	460nm	H2700K	\	2430	> 0.9				
GTG1208A-MCA95A-L915	40W [30W] [50W]	300x0.5W SMD2835	H2700K				Ra97	3480	> 0.9	[BDM] 180°	[CSL]: Photocell Lux Sensor [CSM]: Micro Motion Sensor [CSMD]: Bi-level Microwave Motion Sensor	[CV DC12V] [CV DC24V] [CV DC48V]
			H3000K				Ra97	3600				
			H4000K				Ra97	3800				
			H5000K				Ra97	3800				
			2C@40W	TW	H2700K	H6000K	Ra97	3480				
4C@40W	RGBW	620nm	520nm	460nm	H2700K	\	3480	> 0.9				
GTG1208A-MCA95A-L1220	60W [40W] [80W]	480x0.5W SMD2835	H2700K				Ra97	5220	> 0.9	[BDM] 180°	[CSL]: Photocell Lux Sensor [CSM]: Micro Motion Sensor [CSMD]: Bi-level Microwave Motion Sensor	[CV DC12V] [CV DC24V] [CV DC48V]
			H3000K				Ra97	5400				
			H4000K				Ra97	5720				
			H5000K				Ra97	5720				
			2C@60W	TW	H2700K	H6000K	Ra97	5220				
4C@60W	RGBW	620nm	520nm	460nm	H2700K	\	5220	> 0.9				
GTG1208A-MCA95A-L1524	60W [80W]	480x0.5W SMD2835	H2700K				Ra97	5220	> 0.9	[BDM] 180°	[CSL]: Photocell Lux Sensor [CSM]: Micro Motion Sensor [CSMD]: Bi-level Microwave Motion Sensor	[CV DC12V] [CV DC24V] [CV DC48V]
			H3000K				Ra97	5400				
			H4000K				Ra97	5720				
			H5000K				Ra97	5720				
			2C@60W	TW	H2700K	H6000K	Ra97	5220				
4C@60W	RGBW	620nm	520nm	460nm	H2700K	\	5220	> 0.9				
GTG1208A-MCA95A-L1830	80W [100W]	600x0.5W SMD2835	H2700K				Ra97	7000	> 0.9	[BDM] 180°	[CSL]: Photocell Lux Sensor [CSM]: Micro Motion Sensor [CSMD]: Bi-level Microwave Motion Sensor	[CV DC12V] [CV DC24V] [CV DC48V]
			H3000K				Ra97	7200				
			H4000K				Ra97	7600				
			H6000K				Ra97	7600				
			2C@80W	TW	H2700K	H6000K	Ra97	7000				
4C@80W	RGBW	620nm	520nm	460nm	H2700K	\	7000	> 0.9				

**NOTE:**

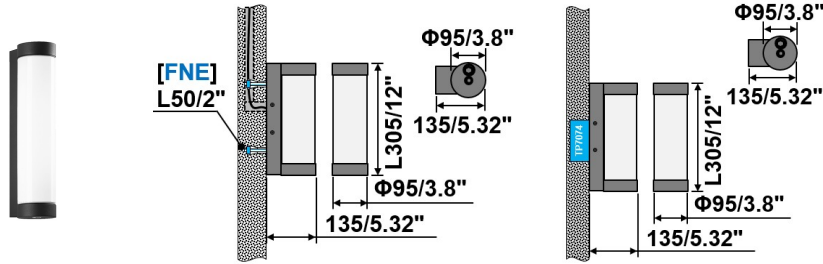
All parameters are measured at 25°C ambient temperature, 35% humidity experimental environment.  
 Tolerances of power and luminous flux are ±10%, tolerance of color rendering index is ±5.

[FFS] Flush Surface Mounted Light

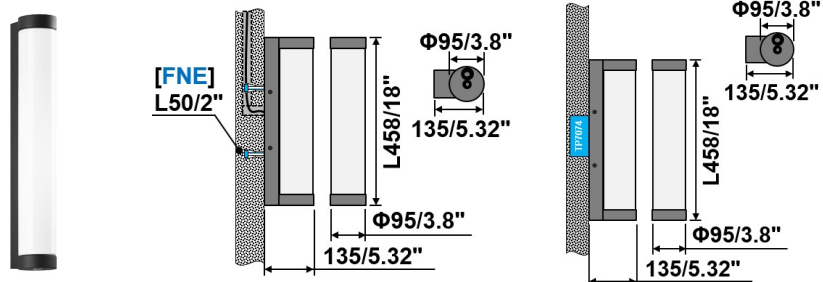
DIMENSION: [UNIT: MM]

NOTES: Custom Installation and Accessories Referred to Another Catalogue of Fixing Kits.

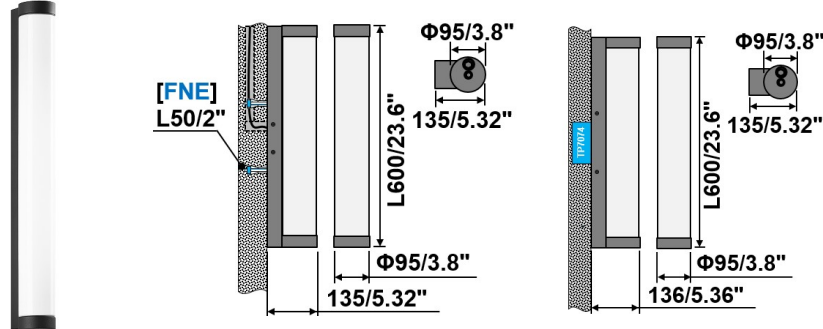
MCA95A-L305 [FNE-L50] [FJP-TP7074] CASE STUDY:



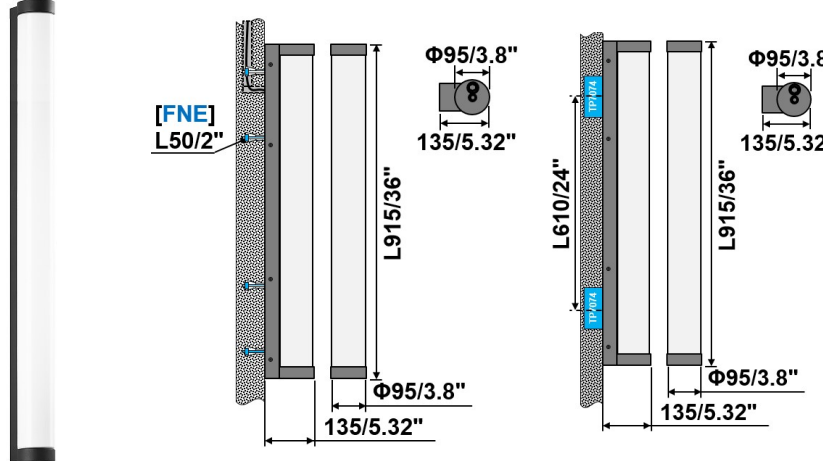
MCA95A-L458 [FNE-L50] [FJP-TP7074]



MCA95A-L600 [FNE-L50] [FFS]-[FJP2A-TP7074]



MCA95A-L915 [FNE-L50] [FFS]-[FJP2A-TP7074]

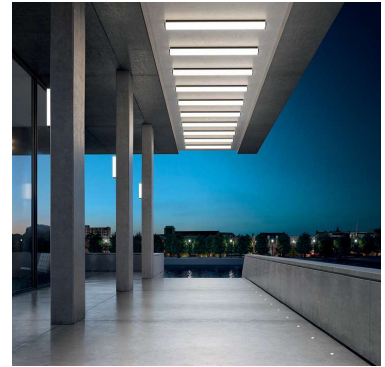
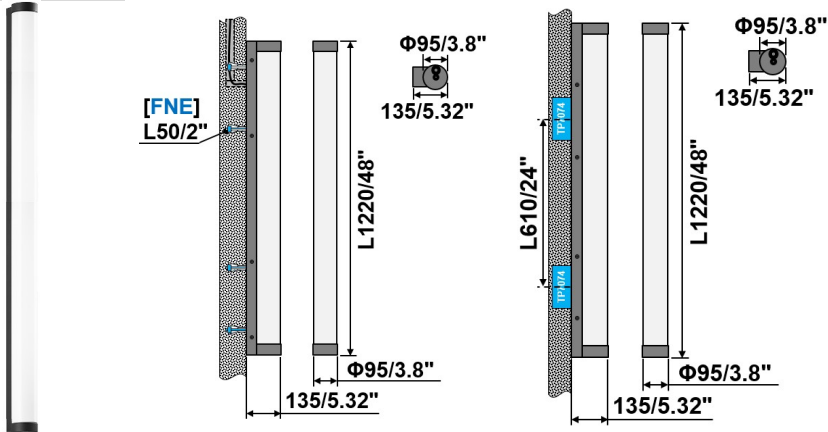


[FFS] Flush Surface Mounted Light

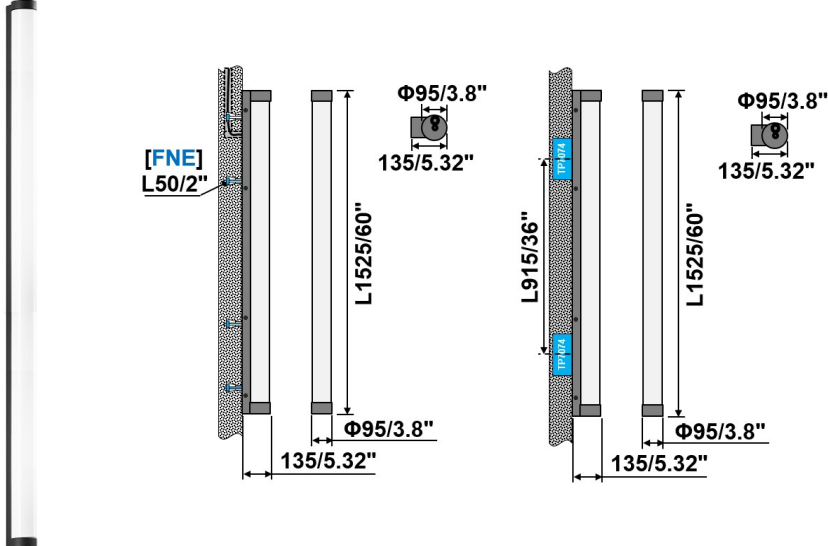
DIMENSION: [UNIT: MM]

NOTES: Custom Installation and Accessories Referred to Another Catalogue of Fixing Kits.

MCA95A-L1220 [FNE-L50] [FJP2A-TP7074] CASE STUDY:



MCA95A-L1525 [FNE-L50] [FFS]-[FJP2A-TP7074]



MCA95A-L1830 [FNE-L50] [FJP2A-TP7074]

