

INTRODUCTION

ISAK 2101: LED POST TOP LIGHT

FEATURE

- Patent LED Lighting Design
- Easy Installation and Maintenance
- Low-glare Uniform Light Distribution
- Elegance Daytime Appearance
- Long Lifespan > 50,000hours
- Working Temperature: -30°C~50°C

MAIN MATERIAL

- LED Brand: GUBO
- Driver Brand: GUBO
- Housing: Die-casted Aluminum
- Optics: High Efficiency Lens
- Diffuser: Anti-UV PC Opal Diffuser

INSTALLATION

- Mounting Slip Fitter [MSC]: Φ76mm
- Suitable for Road Light, like Street, Park.....

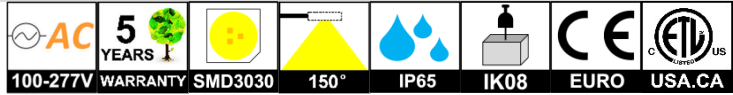
STANDARD

- Designed and Manufactured to Comply with CE/RoHS/CB/cETL/SAA Standard
- Withstand Voltage: 3.75KV, Surge: 6KV
- IP65 Protection, Class I Electric

OPTION

- LED CCT: 1,800K~10,000K/R/G/B/A
- [CRI]: [E] RA80, [G] RA90, [H] RA97
- [POST]: Height 3.5M/4.5M/6M
- Custom Housing Finish: Colors by RAL Code

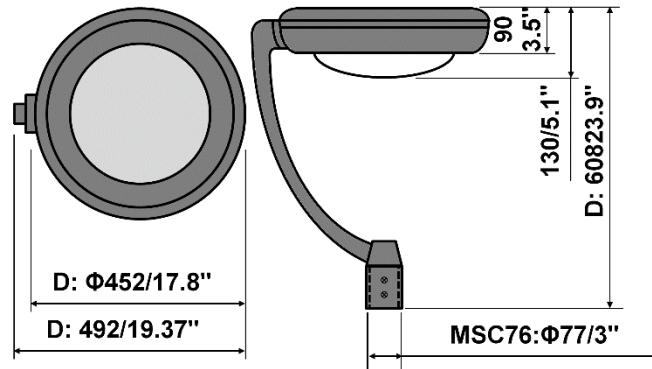
WHITE	BLACK	GREY	DARK GREY
RAL9010P	RAL9005P	RAL7042P	RAL7016P



CASE STUDY



DIMENSION: [UNIT: MM]

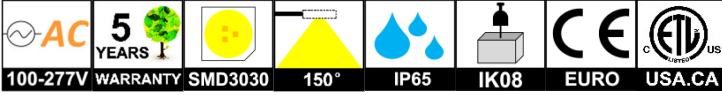


MODEL	POWER [W]	LED TYPE	CCT [K]	CRI	FLUX [LM]	POWER FACTOR	BEAM ANGLE	OPTIONAL DIMMING	INPUT [V]
ISAK-2101D	40W [30W]	144x2W SMD3030	G2700K	RA90	3000	>0.9	[Symmetric] T5:150°	[CDT]: TRIAC(15%) [CDV]: 0/1~10V(8%) [CDV0]: 0~10V(1%) [CDV1]: 1~10V(15%) [CDX]: DMX512(1%) [CDA]: DALI(1%) [CDP]: PWM(1%)	AC100~277V [AC100~240V] [AC100~347V] [AC180~528V] 50/60Hz
			G3000K	RA90	3240				
			G3500K	RA90	3240				
			G4000K	RA90	3480				
			G5000K	RA90	3480				
			G6000K	RA90	3400				
	60W	144x2W SMD3030	G2700K	RA90	4510	>0.9			
			G3000K	RA90	4860				
			G3500K	RA90	4860				
			G4000K	RA90	5210				
			G5000K	RA90	5210				
			G6000K	RA90	5100				
	80W	144x2W SMD3030	G2700K	RA90	6010	>0.9			
			G3000K	RA90	6480				
			G3500K	RA90	6480				
			G4000K	RA90	6950				
			G5000K	RA90	6950				
			G6000K	RA90	6800				
2C@80W	TWG	G2700K	G6000K	RA90	5760	>0.7			
3C@80W	RGB	620nm	520nm	465nm	\	5760	>0.6		
4C@80W	RGBWG	620nm	520nm	465nm	G2700K	\	5760	>0.6	
4C@80W	RGBA	620nm	520nm	465nm	590nm	\	5760	>0.5	

NOTE:

All parameters are measured at 25°C ambient temperature, 35% humidity experimental environment. Tolerances of power and luminous flux are ±10%, tolerance of color rendering index is ±5.

ISAK 2101DS: LED POST TOP LIGHT



INTRODUCTION

FEATURE
 Patent LED Lighting Design
 Easy Installation and Maintenance
 Low-glare Uniform Light Distribution
 Long Lifespan > 50,000hours
 Working Temperature: -30°C~50°C

MAIN MATERIAL
 LED Brand: GUBO
 Driver Brand: GUBO
 Housing: Die-casted Aluminum
 Optics: High Efficiency Lens
 Diffuser: Anti-UV PC Opal Diffuser

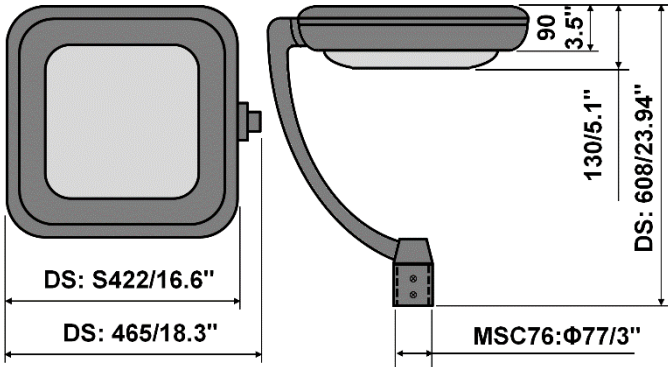
INSTALLATION
 Mounting Slip Fitter [MSC]: Φ76mm
 Suitable for Road Light, like Street, Park.....

STANDARD
 Designed and Manufactured to Comply with
 CE/RoHS/CB/cETL/SAA Standard
 Withstand Voltage: 3.75KV, Surge: 6KV
 IP65 Protection, Class I Electric

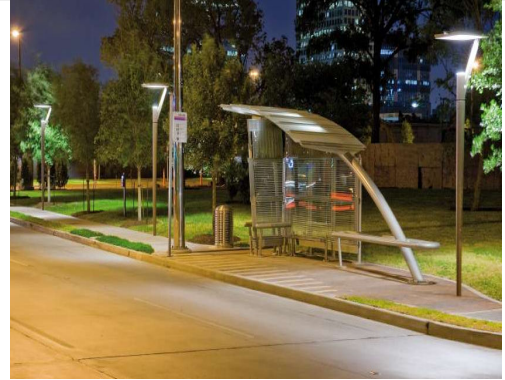
OPTION
 LED CCT: 1,800K~10,000K/R/G/B/A
 [CRI]: [E] RA80, [G] RA90, [H] RA97
 [POST]: Height 3.5M/4.5M/6M
 Custom Housing Finish: Colors by RAL Code

WHITE	BLACK	GREY	DARK GREY
RAL9010P	RAL9005P	RAL7042P	RAL7016P

DIMENSION: [UNIT: MM]



CASE STUDY



MODEL	POWER [W]	LED TYPE	CCT [K]	CRI	FLUX [LM]	POWER FACTOR	BEAM ANGLE	OPTIONAL DIMMING	INPUT [V]
ISAK 2101DS	40W [30W]	144x2W SMD3030	G2700K	RA90	3000	>0.9	[Symmetric] T5:150°	[CDT]:TRIAC(15%) [CDV]:0/1~10V(8%) [CDV0]:0~10V(1%) [CDV1]:1~10V(15%) [CDX]:DMX512(1%) [CDA]:DALI(1%) [CDP]:PWM(1%)	AC100~277V [AC100~240V] [AC100~347V] [AC180~528V] 50/60Hz
			G3000K	RA90	3240				
			G3500K	RA90	3240				
			G4000K	RA90	3480				
			G5000K	RA90	3480				
			G6000K	RA90	3400				
	60W	144x2W SMD3030	G2700K	RA90	4510	>0.9			
			G3000K	RA90	4860				
			G3500K	RA90	4860				
			G4000K	RA90	5210				
			G5000K	RA90	5210				
			G6000K	RA90	5100				
	80W	144x2W SMD3030	G2700K	RA90	6010	>0.9			
			G3000K	RA90	6480				
			G3500K	RA90	6480				
			G4000K	RA90	6950				
			G5000K	RA90	6950				
			G6000K	RA90	6800				
2C@80W	TWG	G2700K	G6000K	RA90	5760	>0.7			
3C@80W	RGB	620nm	520nm	465nm	\	5760	>0.6		
4C@80W	RGBWG	620nm	520nm	465nm	G2700K	\	5760	>0.6	
4C@80W	RGBA	620nm	520nm	465nm	590nm	\	5760	>0.5	

NOTE:
 All parameters are measured at 25°C ambient temperature, 35% humidity experimental environment.
 Tolerances of power and luminous flux are ±10%, tolerance of color rendering index is ±5.