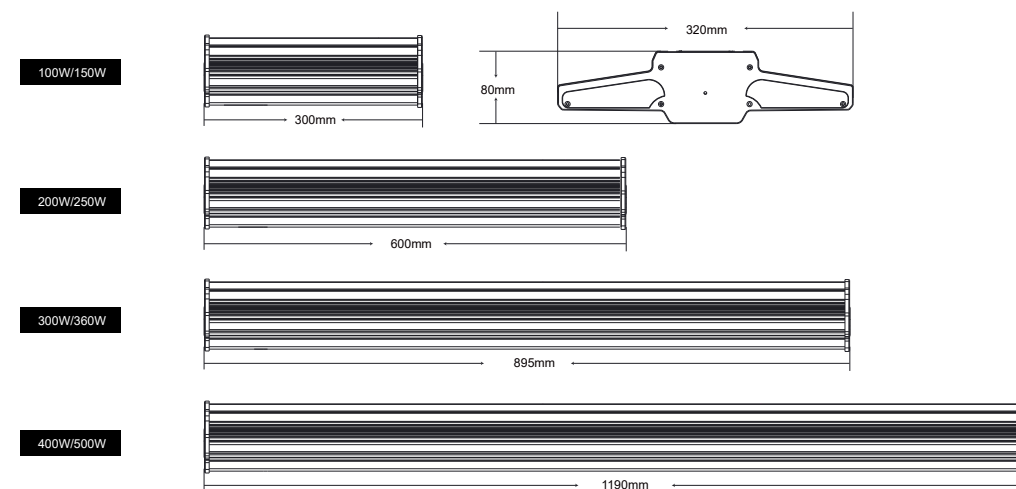


## K2 LED Linear High Bay Light

### Features

- Unique design with aviation aluminum material
- Three-dimensional diamond light guide technology
- Beam angle 60° /90° /120° with transparent / frosted PC lens available
- Endless Connection
- Colorful housing can be customized

### Product specifications



### Certifications



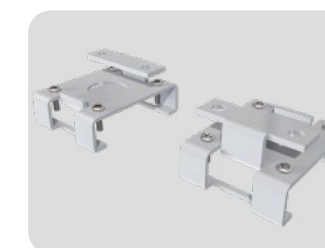
### Mounting Accessories



Hanging Mount



Pipe Mount



Surface Mount



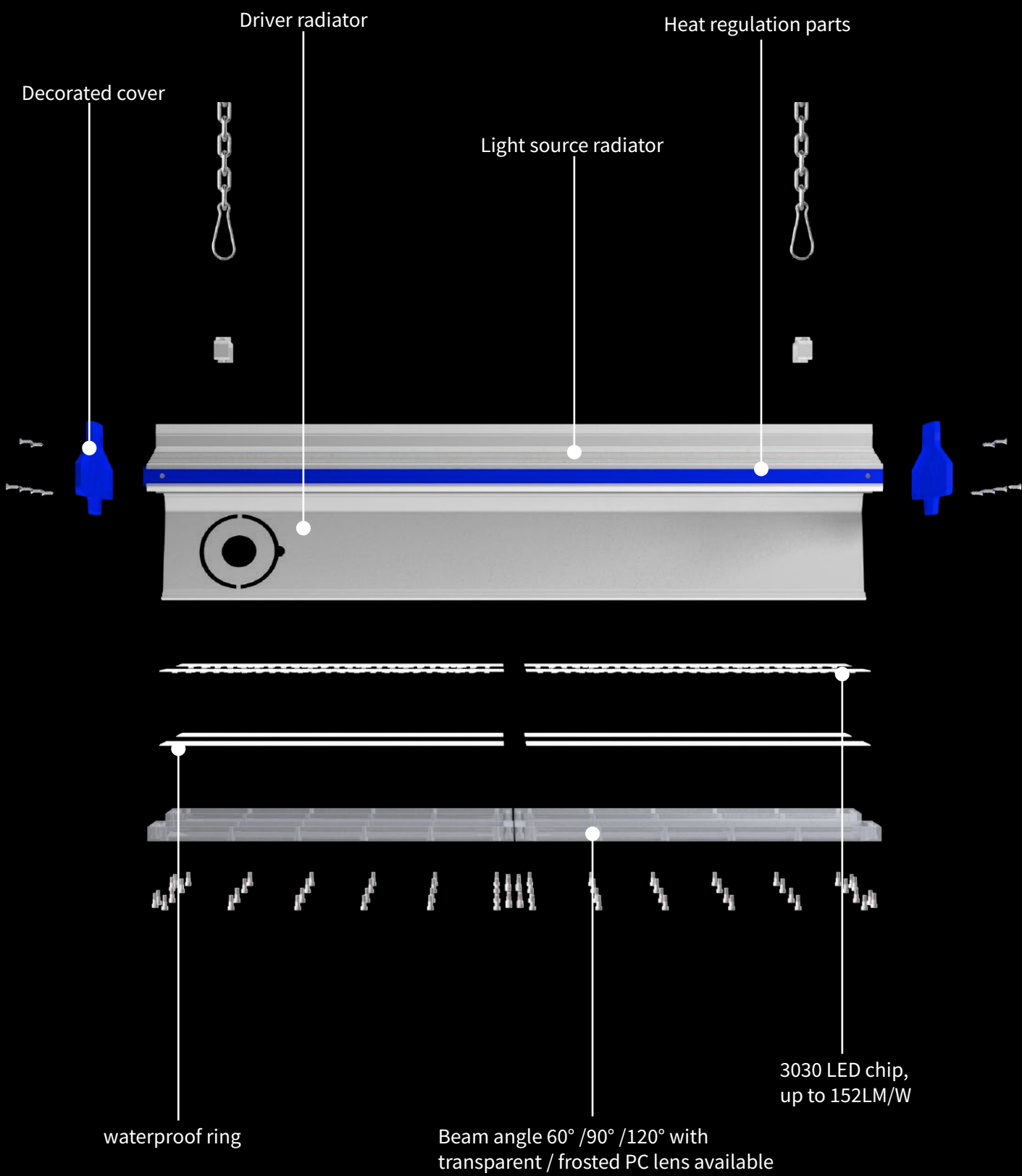
Bracket mount



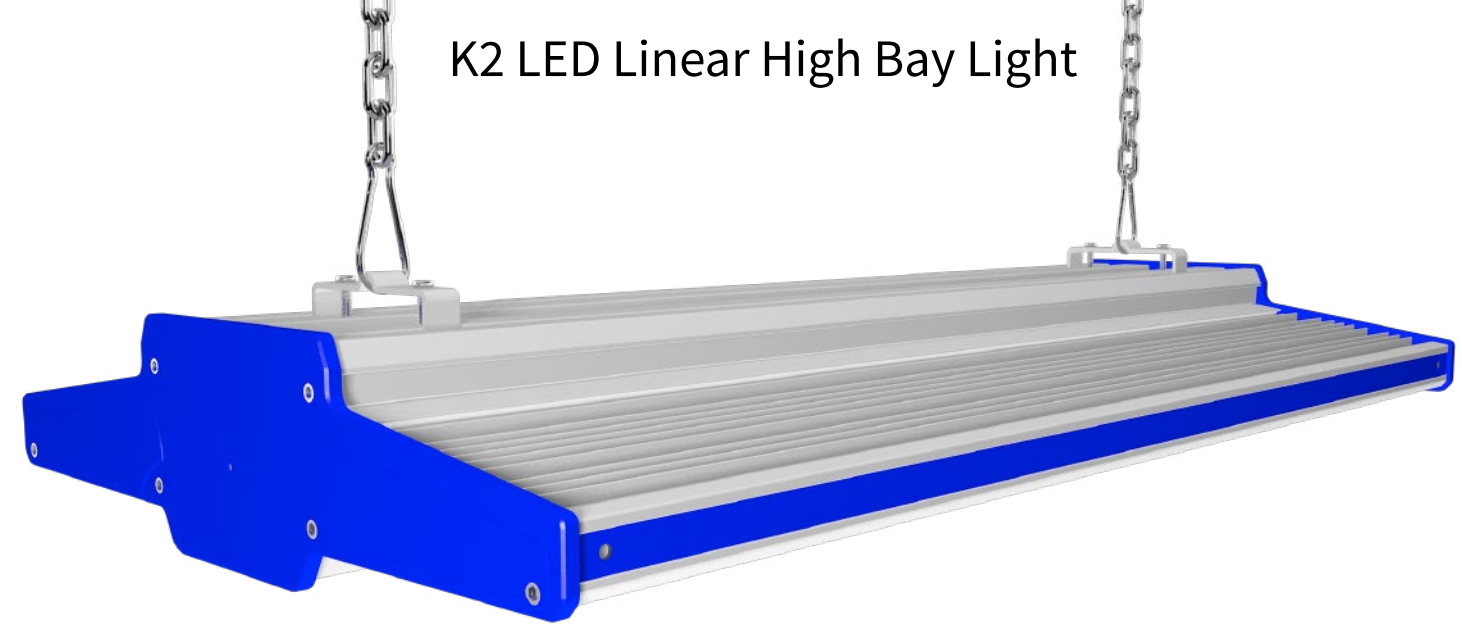
**IP65**

**K2**

LED Linear High Bay Light

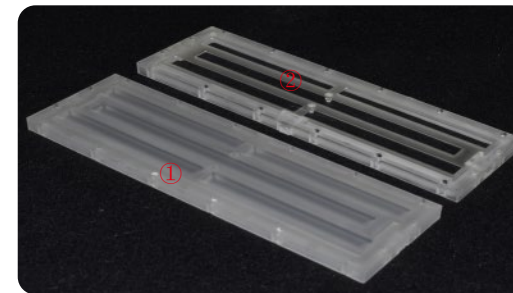


## K2 LED Linear High Bay Light



### ①Milky Lens ②Transparent Lens

View angle 60°/90°/120° available



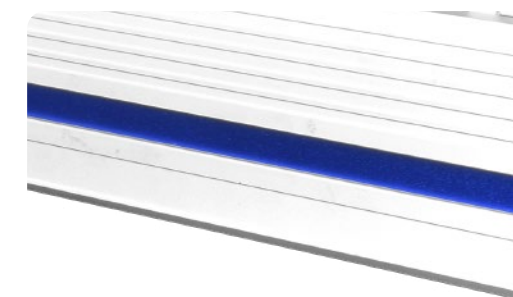
### IP Rating IP65

Use silicon rubber ring sealing process, IP grade reach IP65, completely prevent dust invasion and heavy rain.



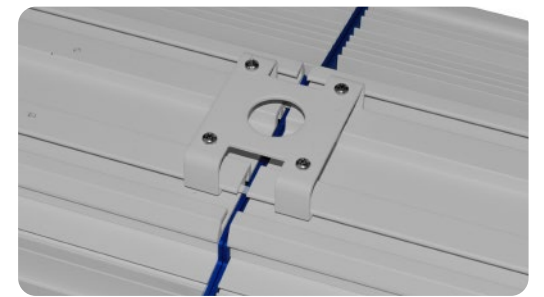
### Perfect Heat Dissipation

The power supply and the light board are independently cooled.



### Connection buckle

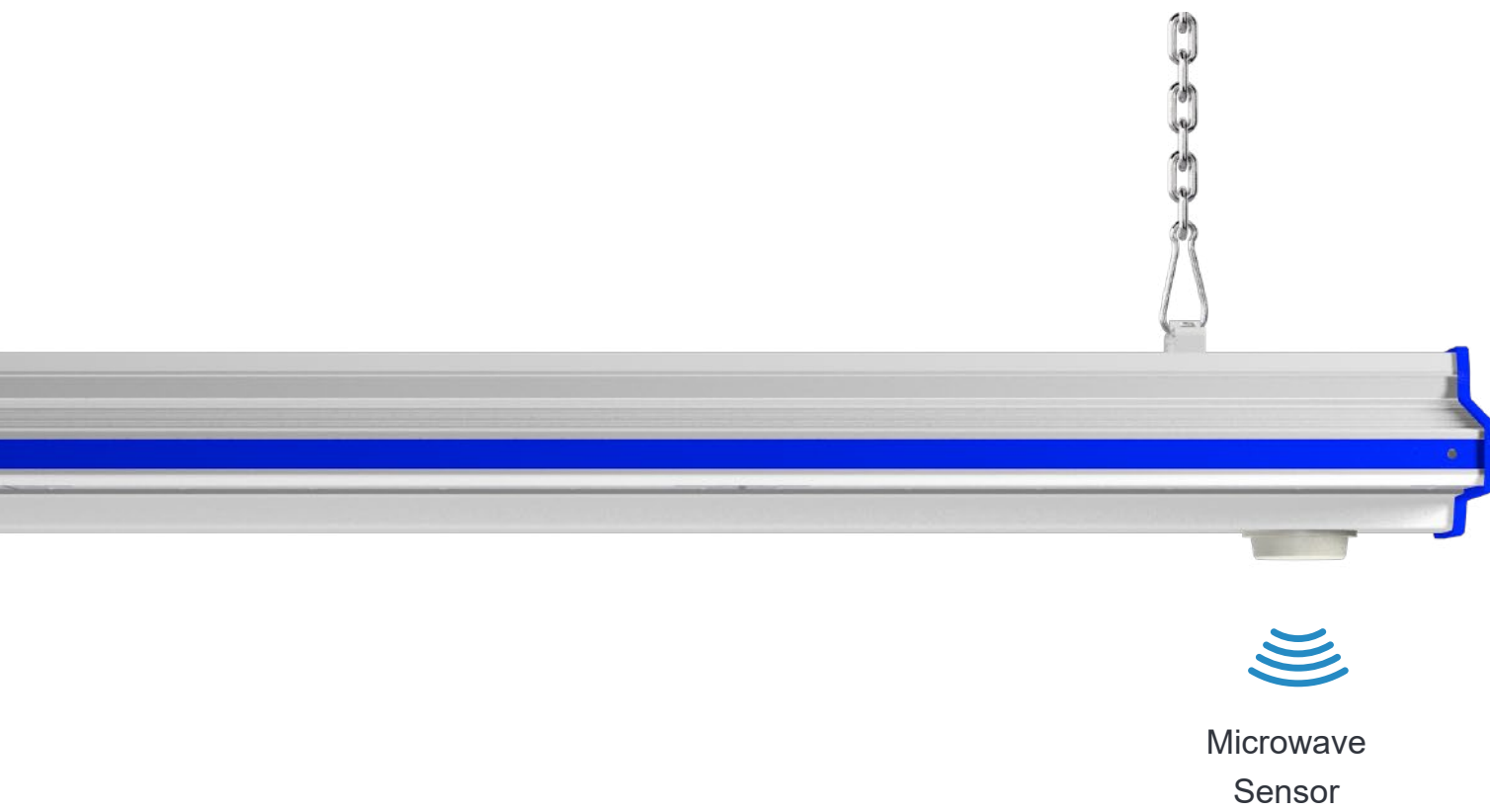
The lamp body and the lamp body can be directly spliced infinitely, which is convenient and quick to install.



**⚡ 480V**

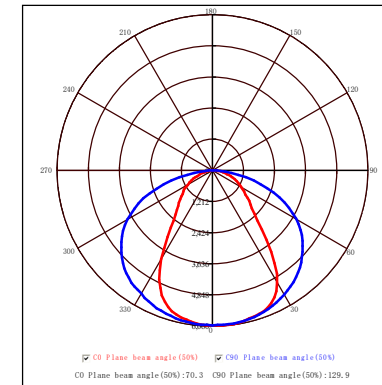
### High Voltage

K1 also provides high voltage version. (277-480VAC)

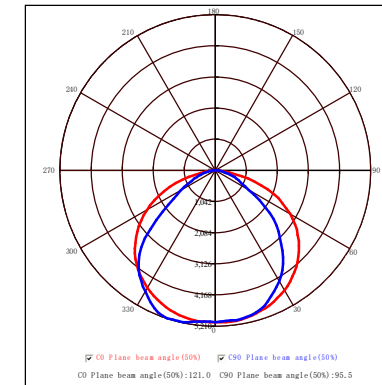


## Light Distribution

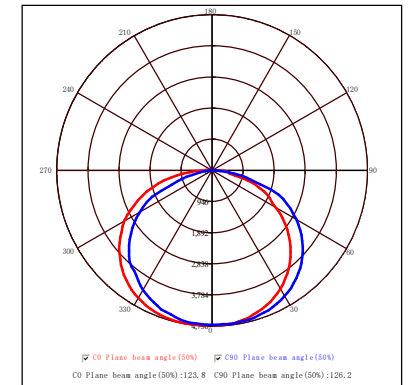
60X120°



90X120°



120X120°



## DALI Control

Luminaires can be controlled by a computer.

## 1-10V Dimming

Luminance can be divided into 10 level, set it upon your specific needs.

## Timer control

We can set the lamp to work at a specific time to save cost.

## Daylight sensor

Provide an energy saving without sacrificing visual comfort. With ambient light dependent control.

## Zigbee Control

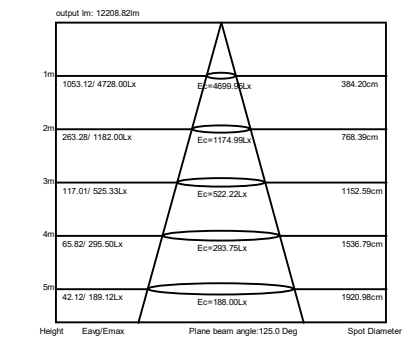
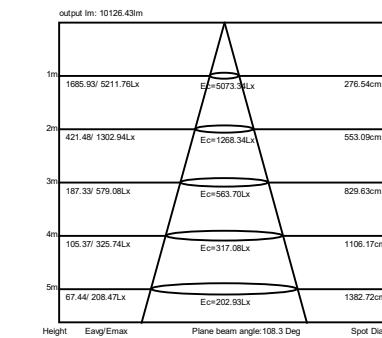
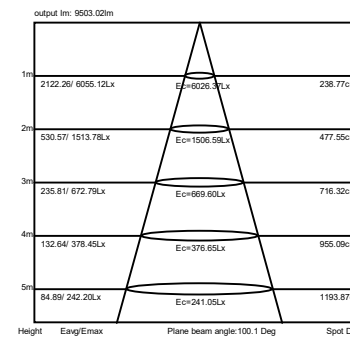
Zigbee Remote Control provides a global standard for advanced, greener and easy-to-use RF remotes that removes line-of-sight restrictions while also delivering two-way communication, longer range of use and extended battery life.

## Emergency power supply

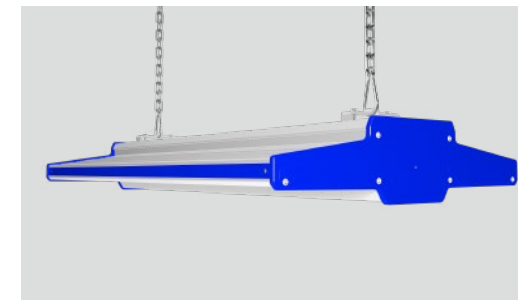
The duration of emergency operation of 1-3h depends on LED lamp power rating and the capacity of battery used.

## Motion sensor

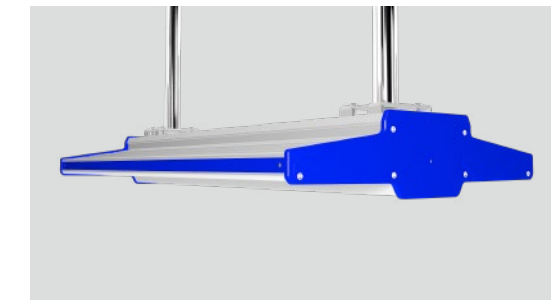
Automatic dimming when used in combination with 1-10V Built-in adjustable daylight sensor. widely use in warehouse area.



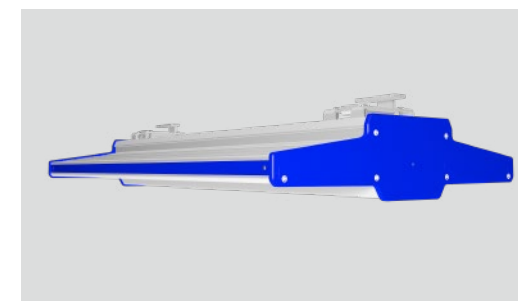
## Multiple Mounting



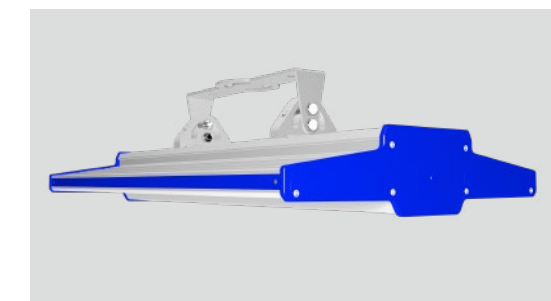
Hanging Mount



Pipe Mount



Surface Mount



Bracket mount

## Product Parameters

Part Number	HB100W/150W-K2	HB200W/250W-K2	HB300W/360W-K2	HB400W/500W-K2
Power	100W/150W	200W/250W	300W/360W	400W/500W
Luminous Efficacy	152LM/W	152LM/W	152LM/W	152LM/W
Lumen Output	15200lm/22800lm	30400lm/38000lm	45600lm/54720lm	60800lm/76000lm
LED Quantity	154pcs	308pcs	462pcs	616pcs
Size(mm)	L300*W320*H80	L600*W320*H80	L895*W320*H80	L1190*W320*H80
CCT	3000K 4000K 5000K 6000K (Custom Option)			
CRI	≥80Ra			
System Efficiency	≥90%			
Lens	60°/90°/120°			
Input Voltage	AC100-277V/347V/480V, 50-60Hz, >0.92			
Warranty	7 years			
IP Rating	IP65			
Lifespan	50,000+ Hours			
Material	Die-casting Aluminum housing+PC lens			
Working Temperature	-30°C to +50°C			
Certification	UL,DLC,SAA,VEET,CB,IK10,IP65			
Color of housing	Blue+white(customized)			

## Packing Info

Model No.	N.G(KG)	G.W (KG)	Pcs/carton	Carton Size(CM)
HB100W-K2	3.9	4.15	1	41*40*18
HB150W-K2	3.95	4.2	1	41*40*18
HB200W-K2	6.56	7.56	1	70*40*18
HB250W-K2	6.6	7.52	1	70*40*18
HB300W-K2	9.38	10.88	1	100*40*18
HB360W-K2	9.42	10.92	1	100*40*18
HB400W-K2	13.2	14.64	1	130*40*19
HB500W-K2	13.32	14.73	1	130*40*19

## Application

