



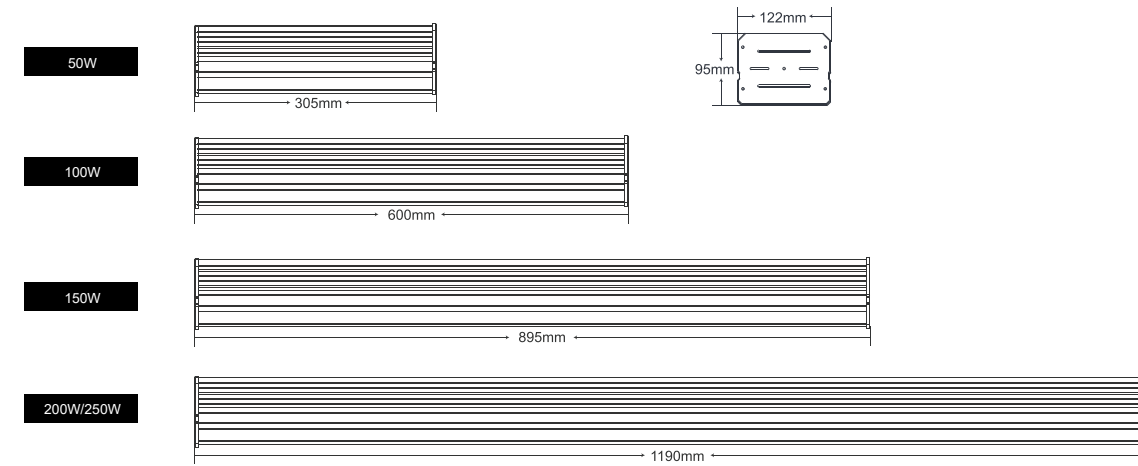
K1 LED Linear High Bay Light



Features

- Unique design with aviation aluminum material
- Three-dimensional diamond light guide technology
- Beam angle 60° /90° /120° with transparent / frosted PC lens available
- Endless Connection
- Colorful housing can be customized

Product specifications



Certifications



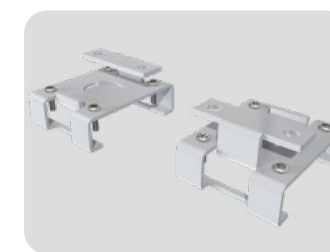
Mounting Accessories



Hanging Mount



Pipe Mount



Surface Mount

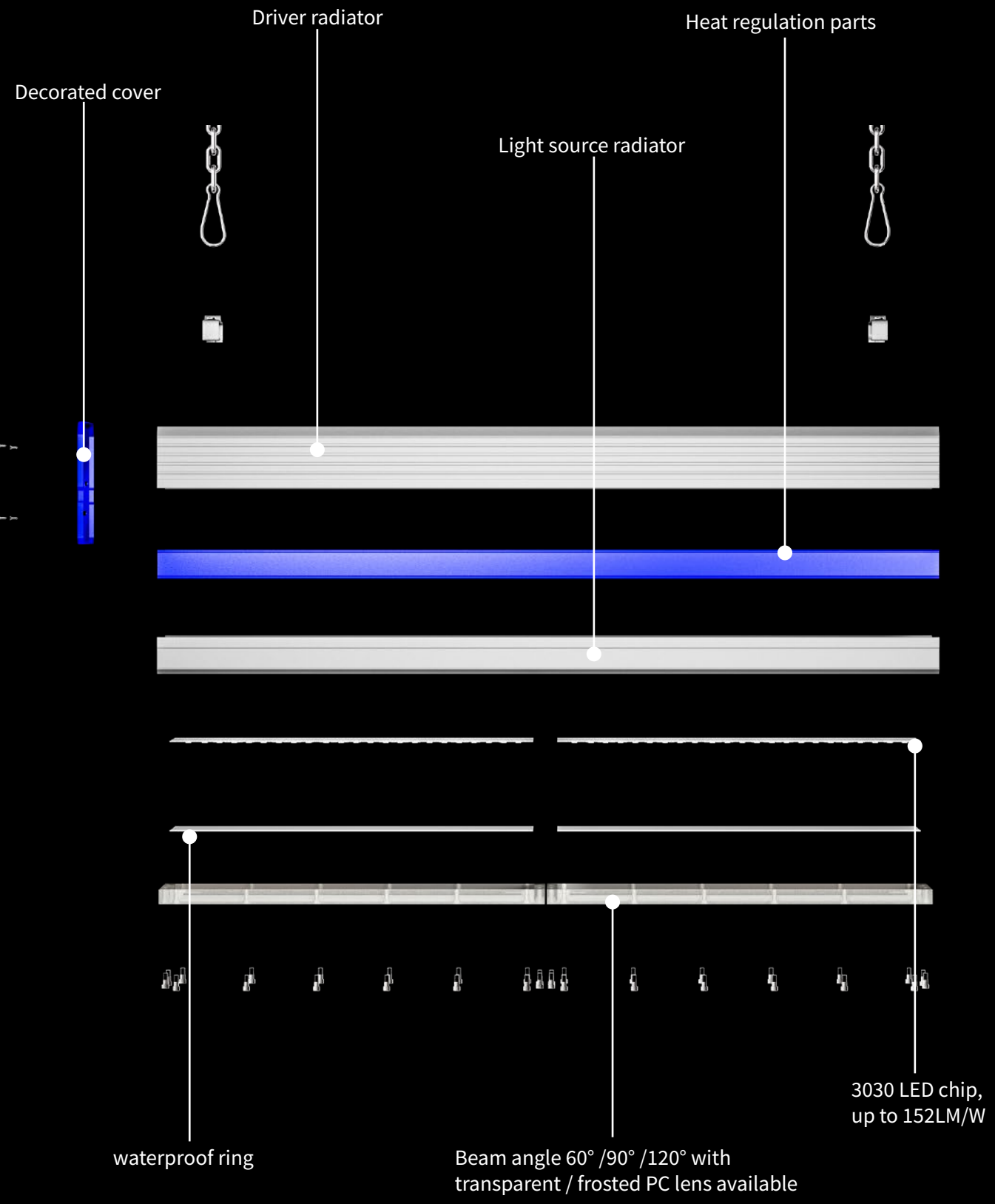
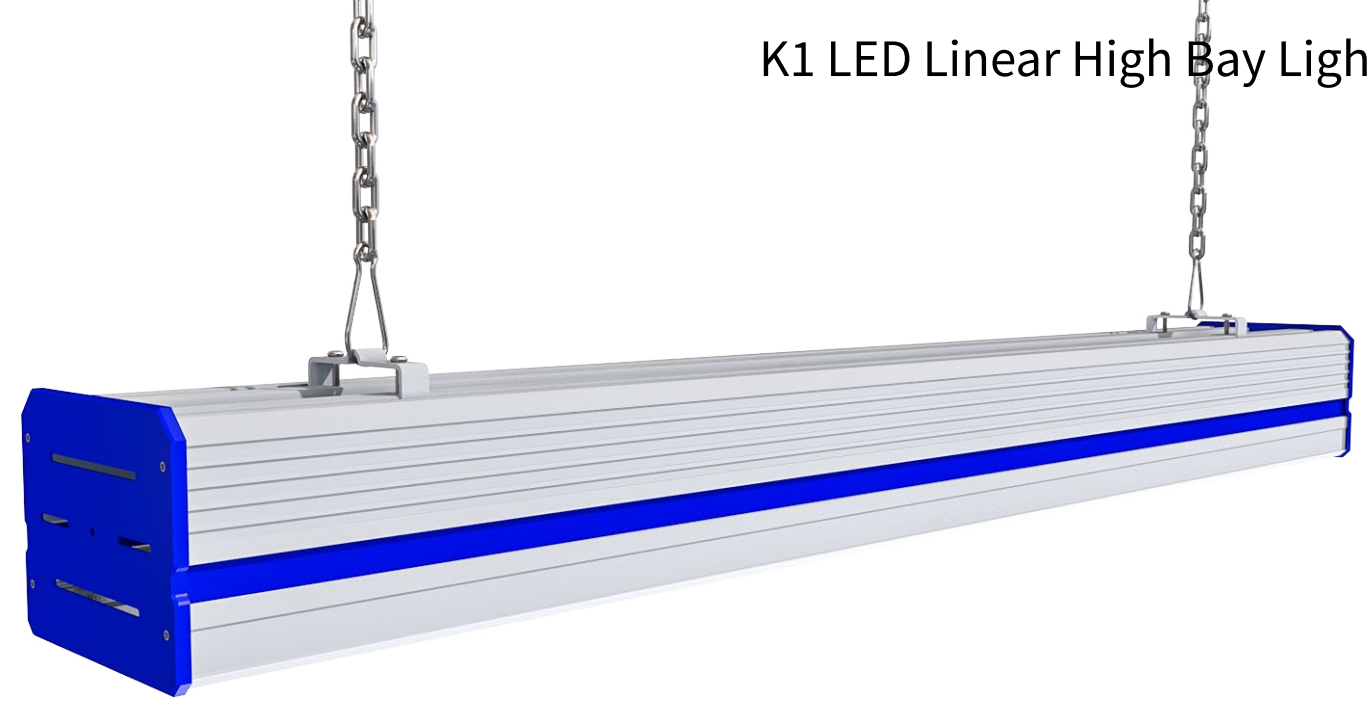


Bracket mount

K1

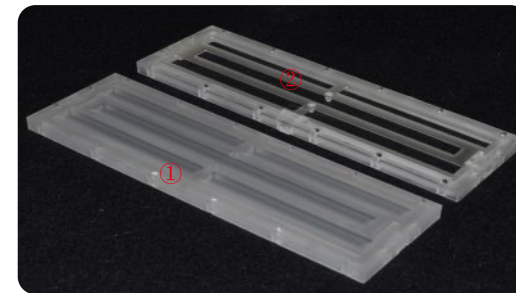
LED Linear High Bay Light

K1 LED Linear High Bay Light



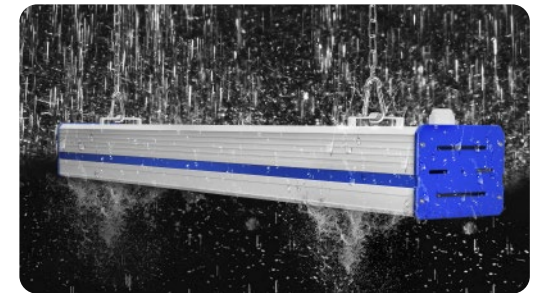
①Milky Lens ②Transparent Lens

View angle 60°/90°/120° available



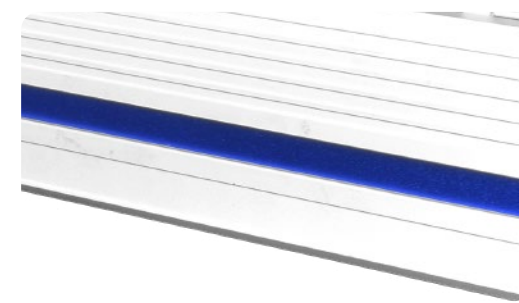
IP Rating IP65

Use silicon rubber ring sealing process, IP grade reach IP65, completely prevent dust invasion and heavy rain.



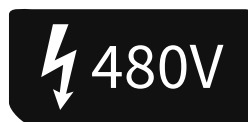
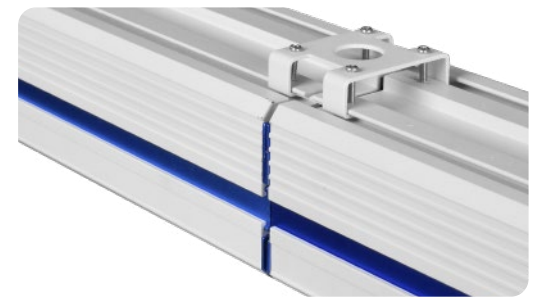
Perfect Heat Dissipation

The power supply and the light board are independently cooled.



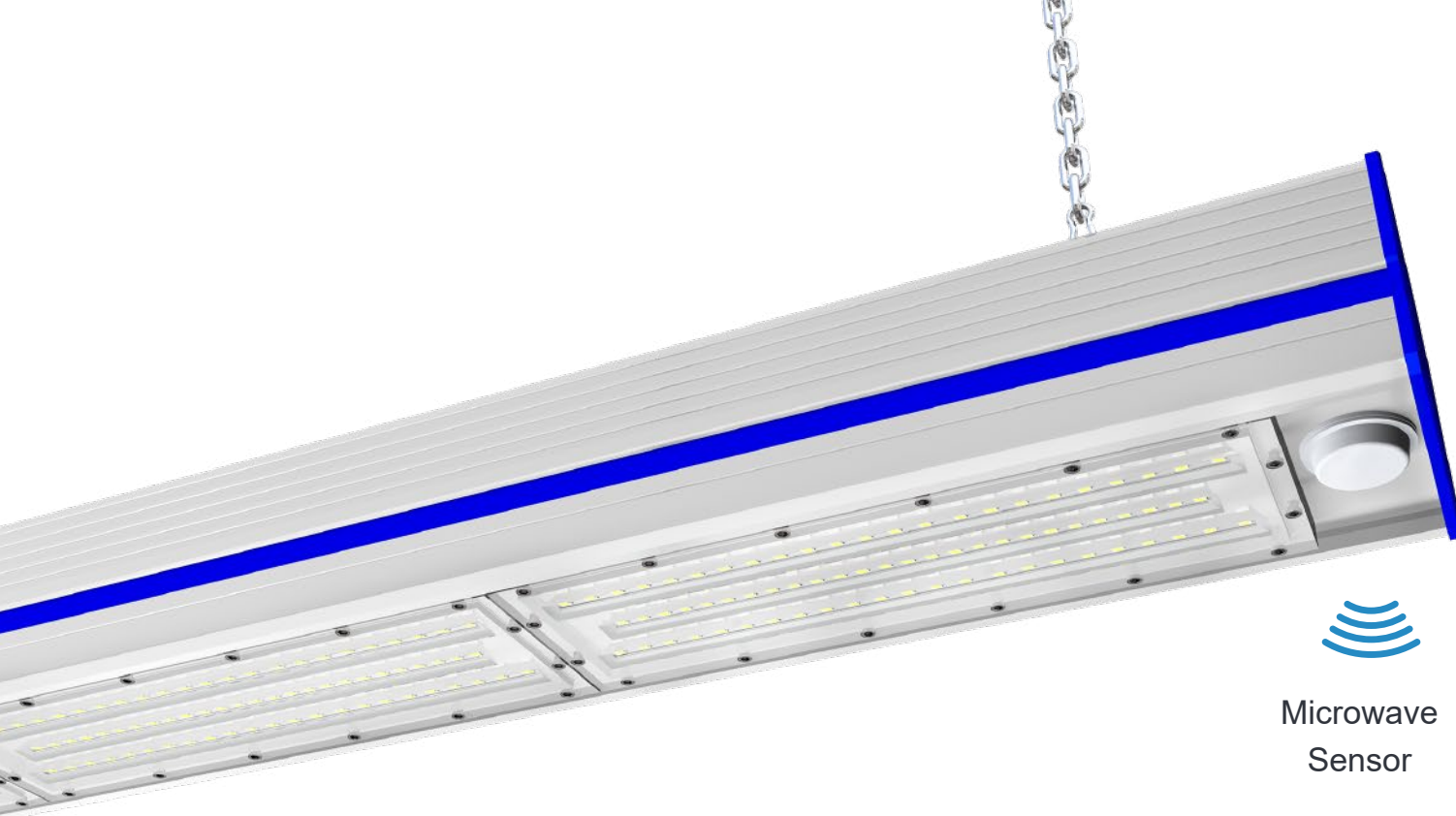
Connection buckle

The lamp body and the lamp body can be directly spliced infinitely, which is convenient and quick to install.



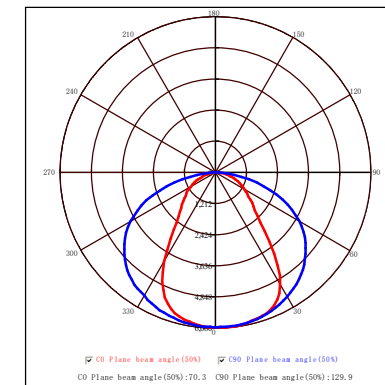
High Voltage

K1 also provides high voltage version. (277-480VAC)

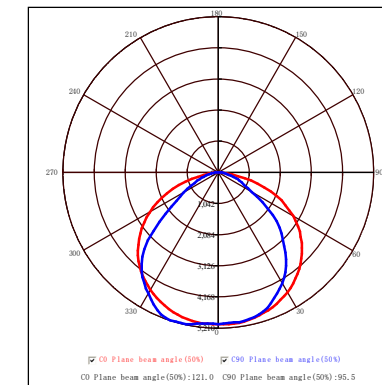


Light Distribution

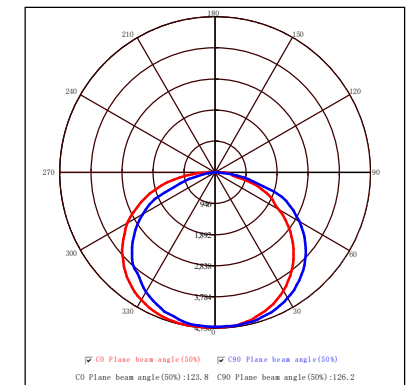
60X120°



90X120°



120X120°



DALI Control

Luminaires can be controlled by a computer.

Zigbee Control

Zigbee Remote Control provides a global standard for advanced, greener and easy-to-use RF remotes that removes line-of-sight restrictions while also delivering two-way communication, longer range of use and extended battery life.

1-10V Dimming

Luminance can be divided into 10 level, set it upon your specific needs.

Emergency power supply

The duration of emergency operation of 1-3h depends on LED lamp power rating and the capacity of battery used.

Timer control

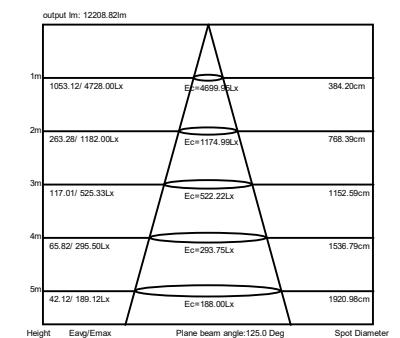
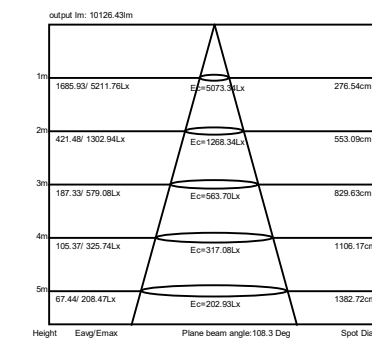
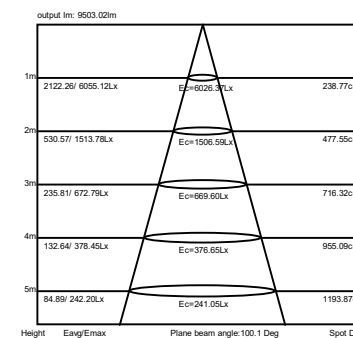
We can set the lamp to work at a specific time to save cost.

Motion sensor

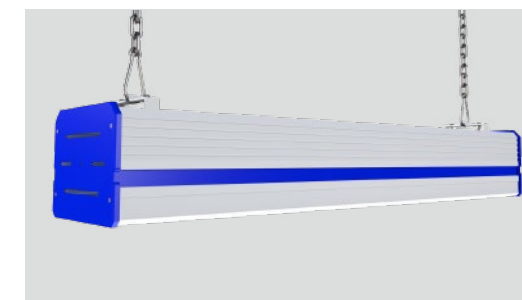
Automatic dimming when used in combination with 1-10V Built-in adjustable daylight sensor. widely use in warehouse area.

Daylight sensor

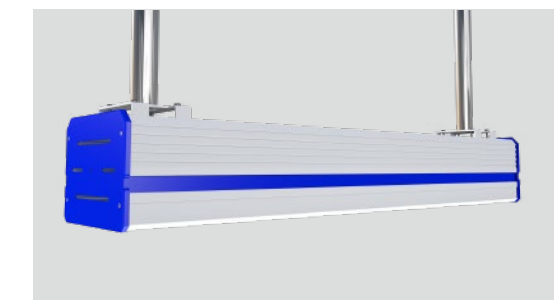
Provide an energy saving without sacrificing visual comfort. With ambient light dependent control.



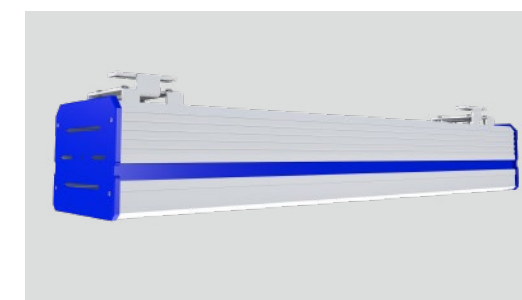
Multiple Mounting



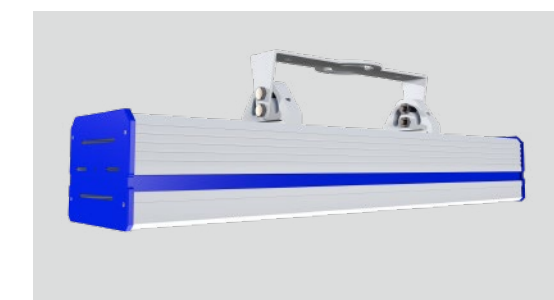
Hanging Mount



Pipe Mount



Surface Mount



Bracket mount

Product Parameters

Part Number	HB50W-K1	HB100W-K1	HB150W-K1	HB200W-K1	HB250W-K1
Power	50W	100W	150W	200W	250W
Luminous Efficacy	152LM/W	152LM/W	152LM/W	152LM/W	152LM/W
Lumen Output	7600lm	15200lm	22800lm	30400lm	38000lm
LED Quantity	77pcs	154pcs	231pcs	308pcs	308pcs
Size(mm)	L305*W122*H95	L600*W122*H95	L895*W122*H95	L1190*W122*H95	L1190*W122*H95
CCT	3000K 4000K 5000K 6000K (Custom Option)				
CRI	≥80Ra				
System Efficiency	≥90%				
Lens	60°/90°/120°				
Input Voltage	AC100-277V/347V/480V, 50-60Hz, >0.92				
Warranty	7 years				
IP Rating	IP65				
Lifespan	50,000+ Hours				
Material	Die-casting Aluminum housing+PC lens				
Working Temperature	-30°C to +50°C				
Certification	UL,DLC,SAA,VEET,CB,IK10,IP65				
Color of housing	Blue+white(customized)				

Packing Info

Model No.	N.G(KG)	G.W (KG)	Pcs/carton	Carton Size(CM)
HB50W-K1	1.78/2.55	2.88/3.1	1	41*22*20
HB100W-K1	4	4.1	1	70*22*20
HB150W-K1	5.05	5.8	1	101*22*20
HB200W-K1	7.36	7.65	1	130*22*21
HB250W-K1	7.7	8	1	130*22*21

Application

