

CIP-EPL01 Series

5 Years Warranty



Certifications & Ratings

- CSA-C22.2 No. 250.13-12
- UL 8750 (Edition 1)
- CSA-C22.2 No. 137-1981 (R2004)
- UL 844 (Edition 12)
- Rated: Class 1, Division 2, Groups A, B, C and D ;
CNEX
- Ex db IIC T6 Gb/Ex tb IIIC T80°C Db
- Rated: Zones 1&2, 21&22
- CE & RoHS



Features

- Wide power range from 10W to 30W
- Compact and robust structure, excellent reliability
- High luminous efficacy up to 140 lumens per watt
- Optional lighting distribution 90°/120°
- Various installation ways for different applications
- Copper-free aluminum housing with epoxy powder coating, great corrosion resistance and cooling performance
- All exposed fasteners with quality stainless steel 304/316L
- Great impact resistance with IK08 certified
- Battery backup function available
- 5 years warranty

Application

- Power Plants
- Chemical and Petrochemical Industry
- Pharmaceutical Industry
- Onshore and Offshore Plants
- Loading Docks Platforms
- Shipyards
- Marine Industry
- Food and Alcohol industry
- Coal mine
- Painting plants
- Wastewater Treatment Plants

Technical Parameters

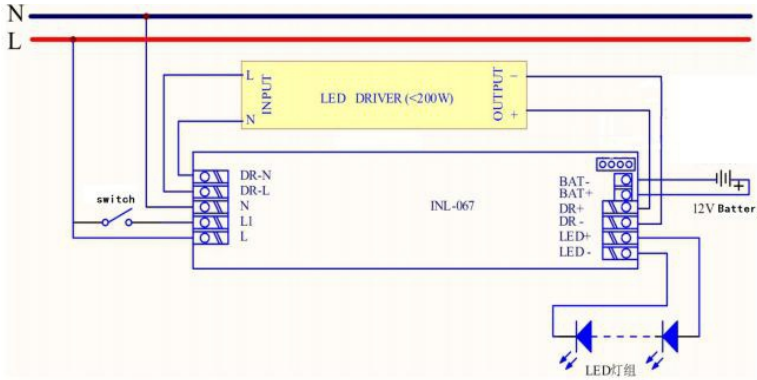
Model	CIP-EPL01 (10W-30W)				
Input Voltage	100-305 VAC /24-48 VDC , 50/60 Hz				
Efficiency	≥140 lm/W				
CCT	3000K/4000K/5000K/5700K/6500K				
CRI	≥70/80				
PF	>0.95				
Corrosion-proof	WF2				
Ingress Protection grade	IP66				
Material	Die cast aluminium housing, tempered glass cover				
Ambient Temperature	-40~+55 °C				
Cable entry	2xM25x1.5/ M20*1.5/ NPT3/4/ NPT1/2 (Φ8- Φ14mm)				
Power	10W	15W	20W	25W	30W
Luminous flux	1400lm	2100lm	2800lm	3500lm	4200lm
Product size	195*204mm				
Package size	275*275*270mm				
Net weight	3.0 KG				
Gross weight	3.5 KG				
WARRANTY	5 YEARS				

Emergency Optional

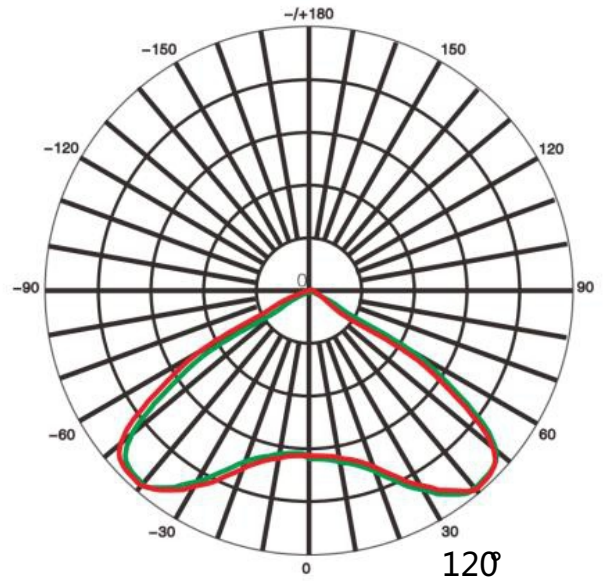
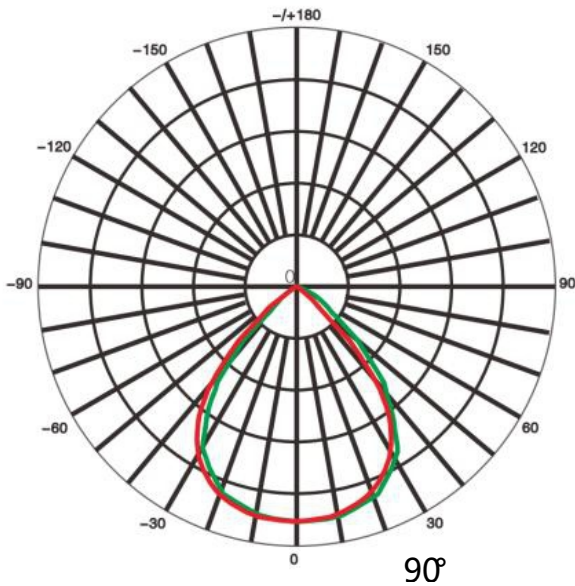


Emergency Power	10W
Battery capacity	DC11.1V 2200/4400/6600m Ah ;Lithium Battery .
Emergency Time	60/90/120/180min
Charging Time	≤24h

Explosion proof led light



Photometric



Flux out: 3270 lm

Height	Eavg, Emax	Angle: 121.75deg	Diameter
2m	79.96, 244.51x		717.90cm
4m	19.99, 61.121x		1435.81cm
6m	8.884, 27.161x		2153.71cm
7m	6.527, 19.961x		2512.66cm
8m	4.997, 15.281x		2871.62cm
9m	3.949, 12.071x		3230.57cm
10m	3.198, 9.7791x		3589.52cm

25W

Flux out: 2442 lm

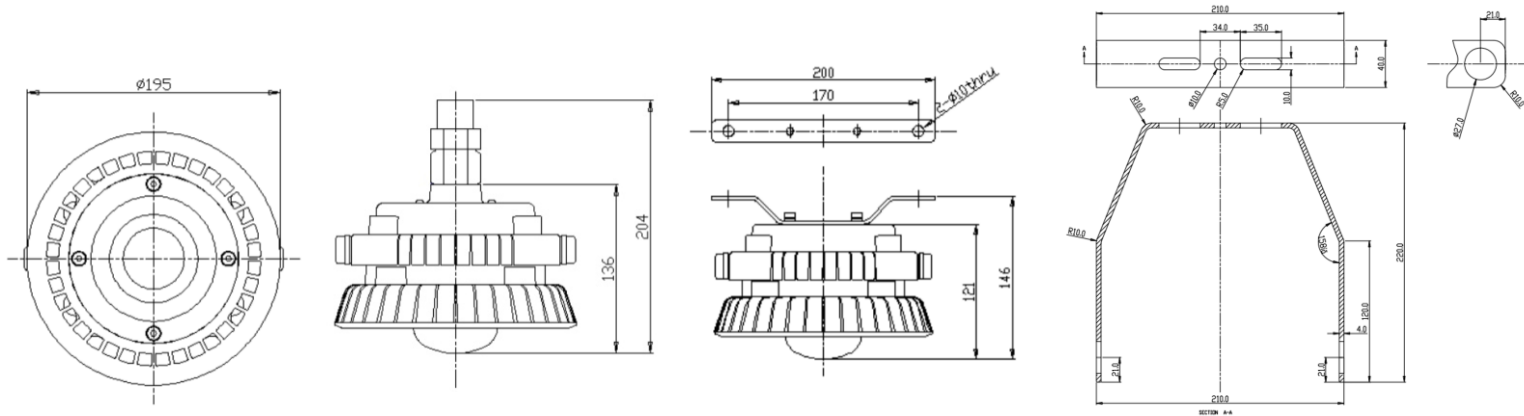
Height	Eavg, Emax	Angle: 100.82deg	Diameter
2m	132.0, 349.01x		483.70cm
4m	33.01, 87.251x		967.40cm
6m	14.67, 38.781x		1451.10cm
7m	10.78, 28.491x		1692.95cm
8m	8.252, 21.811x		1934.80cm
9m	6.520, 17.231x		2176.65cm
10m	5.281, 13.961x		2418.50cm

30W

Note: The Curves indicate the illuminated area and the average illumination when the luminaire is at different distance.

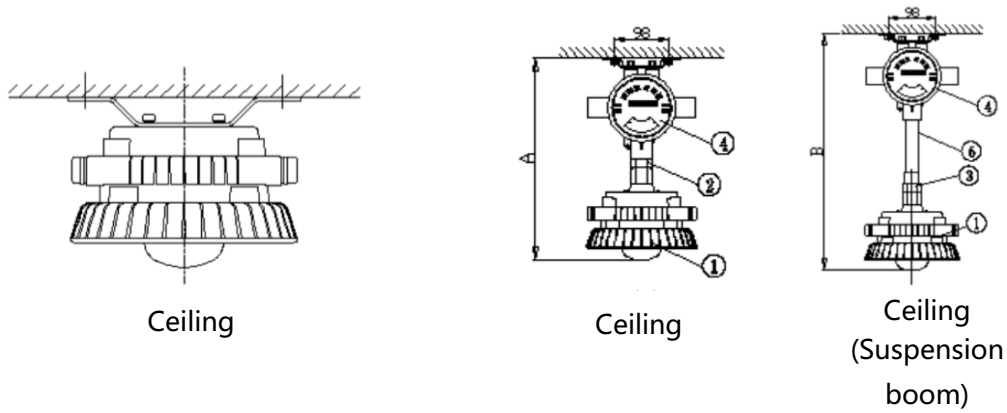
Note: The Curves indicate the illuminated area and the average illumination when the luminaire is at different distance.

Product Dimensions:



CIP-EPL01 (10W-30W)

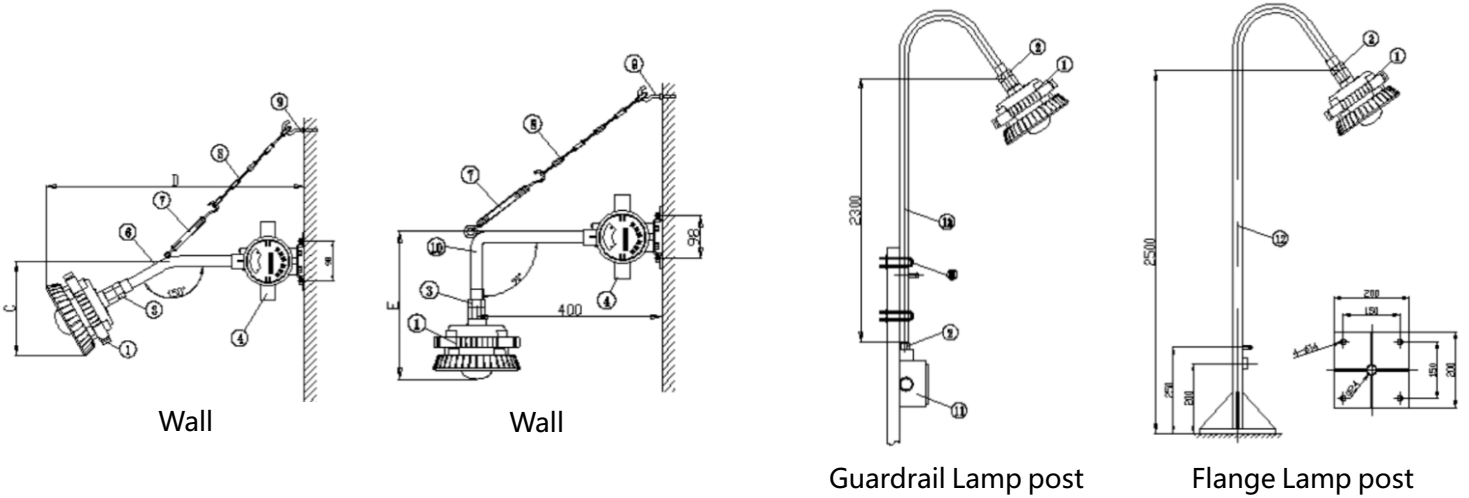
Fixed Installation



Ceiling

Ceiling

Ceiling
(Suspension boom)



Wall

Wall

Guardrail Lamp post

Flange Lamp post