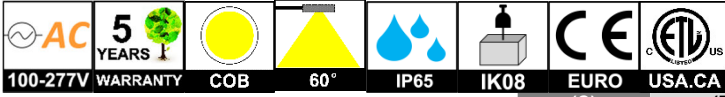


GTE2116: LED POST TOP LIGHT

INTRODUCTION



FEATURE

Modern Post Top Area Lighting
 Upgrade Module LED Lighting Design
 Easy Installation and Maintenance
 Low-glare Uniform Light Distribution
 Color Rendering Index RA90
 Long Lifespan > 50,000hours

Working Temperature: -30°C~50°C

MAIN MATERIAL

LED Brand: GUBO
 Driver Brand: GUBO
 Housing: Die-casted Aluminum Module
 Optics: High Efficiency PC Reflector
 Diffuser: Clear Prismatic Tempered Glass Diffuser

INSTALLATION

Mounting Slip Fitter [FSC]: Φ60mm or Φ78mm
 Suitable for Road Light, like Street, Park.....

STANDARD

Designed and Manufactured to Comply with
 CE/RoHS/CB/cETL/SAA Standard
 Withstand Voltage: 3.75KV, Surge: 6KV
 IP65 Protection, Class I Electric

OPTION

LED CCT: 1,800K~10,000K/R/G/B/A
 [CRI]: [E] RA80, [G] RA90, [H] RA97
 [POST]: Height 1M/1.2M/2.2M/3.5M/4.5M
 Custom Housing Finish: Colors by RAL Code

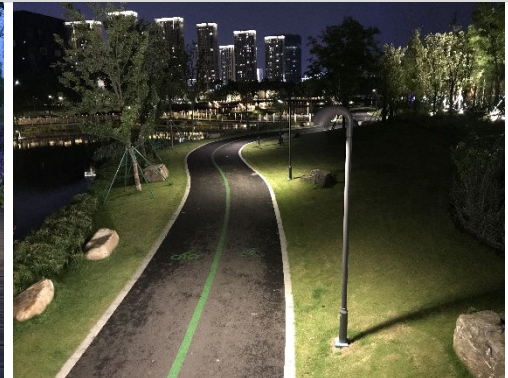
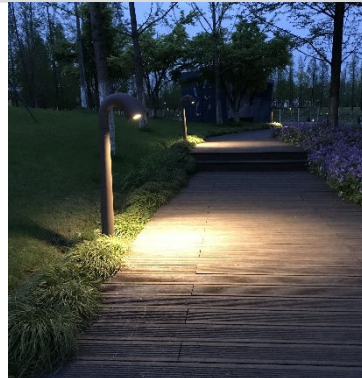
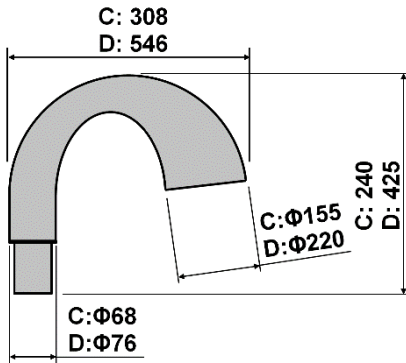
WHITE RAL9010P	BLACK RAL9005P	GREY RAL7042P	DARK GREY RAL7016P



DIMENSION: [UNIT: MM]

CASE STUDY: BOLLARD

CASE STUDY: POST



MODEL	POWER [W]	LED TYPE	CCT [K]	CRI	FLUX [LM]	POWER FACTOR	BEAM ANGLE	OPTIONAL DIMMING	INPUT [V]
GTE2116C	20W [10W] [15W] [30W]	24x2W SMD3030	G2700K	RA90	1450	> 0.9	[Symmetric] BL30D:30° BL60D:60° BL90D:90° BL120D:120°	[CDT]:TRIAC(15%) [CDV]:0/1~10V(8%) [CDV0]:0~10V(1%) [CDV1]:1~10V(15%) [CDX]:DMX512(1%) [CDA]:DALI(1%) [CDP]:PWM(1%)	AC100~277V [AC100~240V] 50/60Hz
			G3000K	RA90	1560				
			G3500K	RA90	1560				
			G4000K	RA90	1680				
			G5000K	RA90	1680				
			G6500K	RA90	1680				
	2C@20W	TWG	G2700K G6500K	RA90	900	> 0.7			
4C@20W	RGBW	620nm 520nm 465nm G2700K	\	900	> 0.6				
4C@20W	RGBA	620nm 520nm 465nm 590nm	\	900	> 0.6				
GTE2116D	60W [40W] [50W] [80W]	72x2W SMD3030	G2700K	RA90	4350	> 0.9	[Symmetric] BL30D:30° BL60D:60° BL90D:90° BL120D:120°	[CDT]:TRIAC(15%) [CDV]:0/1~10V(8%) [CDV0]:0~10V(1%) [CDV1]:1~10V(15%) [CDX]:DMX512(1%) [CDA]:DALI(1%) [CDP]:PWM(1%)	[CV DC24V] [CV DC48V] [CV DC48V]
			G3000K	RA90	4680				
			G3500K	RA90	4680				
			G4000K	RA90	5020				
			G5000K	RA90	5020				
			G6500K	RA90	5020				
	2C@60W	TWG	G2700K G6500K	RA90	2520	> 0.8			
4C@60W	RGBW	620nm 520nm 465nm G2700K	\	2520	> 0.7				
4C@60W	RGBA	620nm 520nm 465nm 590nm	\	250	> 0.7				

NOTE:

All parameters are measured at 25°C ambient temperature, 35% humidity experimental environment.
 Tolerances of power and luminous flux are ±10%, tolerance of color rendering index is ±5.