

10W Integrated Built-in Driver LED Track Light Heads

Full selection of track light heads, tracks and accessories to make building a complete track lighting solution.

Features:

Innovative Thermal Design:

Aluminum housing, high strength and hardness with convective holes for better heat dissipation.

Dimming:

Triac dimming, smooth range from 100% to 10%, and compatible with most dimmers, such as Lutron, Leviton, Smart Home, Arctic Lighting etc.

CCT Adjustable:

It can be applied in various scenarios of different colors, only using one light. Also it can help you reduce overstock and reduce purchasing cost.

Unique Anti-glare Design:

It can effectively reduce the damage of light to eyes and reduce glare pollution.

LED Characteristics:

CREE COB LED chips, strong penetrability, high fidelity CRI up to 95Ra and high efficacy up to 110lm/W.

Flexible Rotation:

Adjustable track heads with 350° horizontal & 90° vertical rotation, which allows you direct the light beam exactly and light up where you need brightness.

SPECIFICATION	
Product Name	LED Track Light Heads
Wattage	10W
Track Adapter	H-type, J-type, L-type
3 CCT Adjustable CRI	> 90Ra
5 CCT Adjustable CRI	> 90Ra
3 CCT Adjustable	3000K-4000K-5000K Selectable with Switch
5 CCT Adjustable	2700K-3000K-3500K-4000K-5000K Selectable with Switch
Beam Angle	15°, 25°, 36°, 55°
Finished Colour	Black, White, Gray
Dimming	Triac Dimming 100%-10%
Compatible Dimmer	Lutron, Leviton etc.
Input Voltage	AC120V, 60Hz
Power Factor	0.98
Lumens (3CCT)	880lm@CRI90 3000K 36°
Lumens (5 CCT)	880lm@CRI90 3000K 36°
Design Style	Integrated Built-in Driver
Projected Life	50, 000 hrs
Warranty	5-Years
Rotation	350° Horizontal
Tilt	90° Vertical
Certification	cETL, ETL, FCC
Application	Museum, Gallery, Stores, Showroom, Supermarkets, Hotels, Restaurant etc.



Description:

B series track light heads, unique integrated built-in driver and anti-glare design, simple and stylish, high-end atmosphere, very popular with customers. The track light heads offer an adjustable, scalable lighting solution for residential and commercial locations.

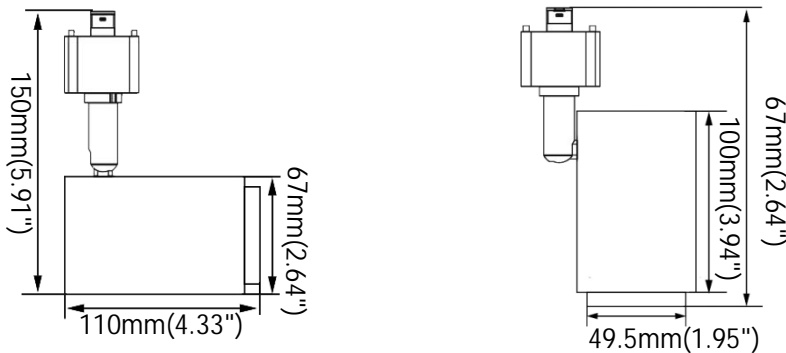
Structural arm provides a wide range of motion and maintains placement for precise illumination.

Long lasting, energy-efficient, COB LED Chips provides high-quality, zero maintenance light.

With standard line voltage, mount to a compatible H-type tracks system.

With CRI up to 90Ra, use one or multiple track heads to highlight artwork, architecture, retail products, or accent lighting.

Technical Drawing:



Order Guide (Model: CIP-B10W):

Single CCT	CCT	BA	Finished	CRI	Adapter
	2700K	15°	Black	83Ra	H-type
	3000K	25°	White	95Ra	J-type
	3500K	36°	Gray		L-type
	4000K	55°			
	5000K				
3 CCT Adjustable	3000K-4000K-5000K			90Ra	
5 CCT Adjustable	2700K-3000K-3500K-4000K-5000K			90Ra	



CIP Lighting
 803-766-0243
info@ciplighting.com
www.ciplighting.com