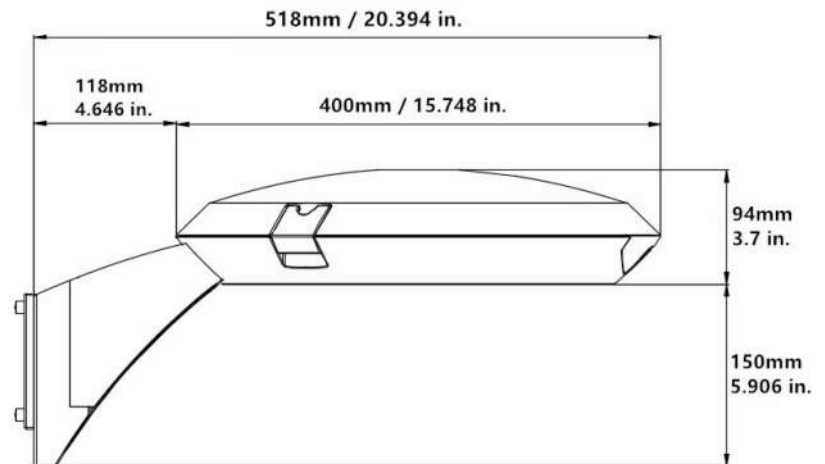


Site & Area light luminaire / Fast Arm-mount

Enhancing the pedestrian experience

At its core, pedestrian lighting is part of a comprehensive design for people spaces. It's imperative to incorporate lighting that:

- provides comfort through security
- offers access by providing visibility and wayfinding
- enable and attract nighttime activities
- showcase pride in a space for others to value



Net weight: 7.5Kg

EPA: 0.53(Sq. Ft.)



Features

CitySoft™ Amazing enhances the pedestrian experience to attract commercial and social activity to the “people spaces” in which we live and work. Successful “people spaces” bring the community together at night to create an environment we want to experience to the fullest

- Uniform and Soft light distribution delivers High visual comfort
- Anti-glare and Elegant form factor
- Body designed to prevent fitting from water, dust, and bird droppings etc.,
- Fast Arm mount to Round pole, Square pole and Wall mounting
- Self-cleaning and Tool free entry
- Replaceable driver unit and control gear
- 0-10V & 1-10V dimmable, DALI Control gear, Timer control, Zigbee control for Smart City management
- Photo sensor control 3P 5P 7P NEMA Socket & Twist-lock Receptacle
- Attached Microwave Motion Sensor available
- PIR Motion Sensor with Bi-level dimming and as option Bluetooth add-on enables remote sensor programming
- Common mode surge protection 6KV and Customized achievable up to 10KA and 20KA for option
- Die-cast aluminum optical assembly, lid, body and arms, thickness 3.5~4.0mm

Benefits

- City visual comfortable
- An integrated Urban Styling lighting toolbox designed for many different urban applications
- Lower energy consumption by up to 60%, with a corresponding reduction in CO2 emissions
- Less and Easier maintenance
- Future-proof
- Smart & Intelligent lighting control
- City-attractive, welcoming, convenient, and safe

Applications

City centers, Commercial districts, Parks and Plazas, Urban landscape, Urban green belt, Rural road, Riverside, Lakeside, Residential areas, Pathway etc.,

Technical Specifications

Construction & Housing

- Housing is cast from corrosion resistant aluminum, maintaining strength and precision to sustain long term dayform appearance
- Aluminum die-casting is designed as one-piece with internal cooling fins
- Stable mechanical system prevents damage from installation generated vibration
- Molded silicone gasket throughout insures the sealing and provides ingress protection
- Body designed to prevent fitting from water, dust, bird droppings etc., and reachable with Self-cleaning

Finish

- Utilizes premium ultra-weatherable **AKZO** polyester powder coatings to withstand extended outdoor exposure, providing excellent resistance to corrosion, ultraviolet degradation and abrasion under **10 years lifetime**
- Good film appearance combined with excellent mechanical and exterior exposure qualities display greater than twice as much gloss retention
- **Special Seaside application finishing with 10 years guarantee** is provided at MOQ 200pcs
- Finish is compliant with 1500hrs salt spray. **3000hrs salt spray is provided** at MOQ 500pcs
- Standard color includes Dark Bronze (RAL8019), Anthracite Grey (RAL7016) and Black (RAL9005)
- RAL & Customized color available with MOQ 200pcs

Optics

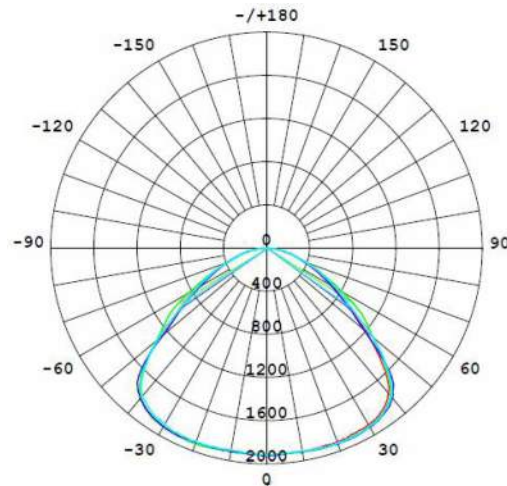
- Specifically designed for pedestrian applications
- Optical PMMA LGP plus high-degree diffusion outdoor PC lens produces symmetric Type V light distribution. The LGP is manufactured from precision injection molded PMMA resulting in a pixelation free optical image for improved glare control and visual comfort

Light Performance

- High Visual comfort and Glare Free. SDCM<3
- Soft and uniform light distribution. Symmetric Type V
- Luminaire output efficacy up to 110 LPW. Minimum CRI 70 offered as standard. 80&90 CRI offered as customized
- CCT 2700-3000K, 3700-4000K, 4700-5000K, 5400-5700K offered as standard. **Amber as customized**
- **EPA** (Effective Projected Area): 0.53 (Sq. Ft.)

Nominal Wattage	Distribution	2700K CRI>80				4000K CRI>70				5000K CRI>70						
		Lumen	BUG Rating			lm/w	Lumen	BUG Rating			lm/w	Lumen	BUG Rating			lm/w
			B	U	G			B	U	G			B	U	G	
22.0W	Type V					2430	1	1	1	110.5						
32.0W	Type V					3530	1	1	1	110.5						
58.0W	Type V					6380	2	1	1	110.0						

Distribution curve



Electrical

- LED driver & electric parts are directly mounted to upper housing thermal pad for optimal thermal performance
- Protection Class I offered as standard. **Class II offered as customized**
- Input voltage 100-277Vac 50/60Hz. 347V-480Vac 60Hz contact manufacturer for inquiry
- PF>0.92 at full load. THD<10% at full load.
- Integral 6KV surge protection offered as standard (DALI version 10KV). **10KA 20KA SPD offered as customized**
- Replaceable driver unit and control gear
- Powered off automatically when opening the fixture

Dimming and Controls

- 0-10V & 1-10V dimmable, dimming range from 10% to 100%
- DALI Control gear dim-to-off
- Timer dimmable with 3 timer modes: Self Adapting-Midnight; Self Adapting-Percentage and Traditional timer
- 3P NEMA Socket, traditional on/off photoelectric control
- 5P NEMA Socket, wireless photoelectric control for added dimming feature
- 7P NEMA Socket, wireless photoelectric control for dimming and additional I/O connections for customer use
- Wireless Controls: On-Fixture Module with 7P NEMA Socket as Zigbee communication
- Integrated Microwave Motion sensor--on/off
- Detached dimming and occupancy Microwave Motion sensor for added dimming feature
- PIR Motion Sensor with Bi-level dimming and as option Bluetooth add-on enables remote sensor programming
- **Osram OPTOTRONIC driver offered as customized 4DIM in one device (StepDIM, AstroDIM, MainsDIM, DALI)**

Mountings

- Arm mount to 3.0 to 4.5 inches (76-114mm) OD round poles
- Arm mount to any larger Square poles
- Arm mount to any walls

Installations and Maintenance

- Suggested installation height 2.5m(8ft) to 6.0m(20ft)
- Fast arm mount installation on Round and Square poles, as well to any kind of walls
- Tool-less opening and Easy maintenance on-site
- All external screws are in AISI 304 stainless steel. Screw connection block or as option an external IP connector
- 0.5m outlet Input cable offered as standard and customized cable length is acceptable
- Body designed to prevent fitting from water、 dust、 and bird droppings etc.,
- Self-cleaning

Ratings

- IP66 Rated
- IK09 Rated
- CE-EMC CE-LVD SAA C-tick IEC ETL and DLC Listed
- Complies with the materials of RoHS
- Operating temperature rated at -40°C to 45°C

Lumens maintenance and Warranty

Ambient temperature	TM-21 Lumen Maintenance (60,000 Hours)	Calculated L80 (Hours)	Warranty time
25°C	>90%	>54,000	7 Years
35°C	>86%	>54,000	5 Years
45°C	>83%	>36,000	5 Years

CAUTION

Fixtures must be grounded in accordance with national, state and/or local electrical codes. Failure to do so may result in serious personal injury