

GTG1208A-MCA65A: LED BULKHEAD LIGHT

INTRODUCTION

(MCA65A-FFS)

[MTF] Flat Top [MTD] Dome Top [MTT] Tilt Top [FJP]

FEATURE

- Durable Optimized LED Lighting
- Skilled Manufacturing Technology
- Long Lifespan > 50,000hours
- Working Temperature: -30°C~50°C

MAIN MATERIAL

- LED Brand: SMD (LM80)
- Driver Brand: GUBO
- Housing: Pure Aluminum Profile
- Diffuser: Antiglare Opal PC Diffuser

INSTALLATION

- [FFS] Surface Mounted: Ceiling, Wall
- [FJP]: Mounting Plate on Outlet Box
- Suitable for Architecture Illumination, Like Balcony, Veranda, External Wall...

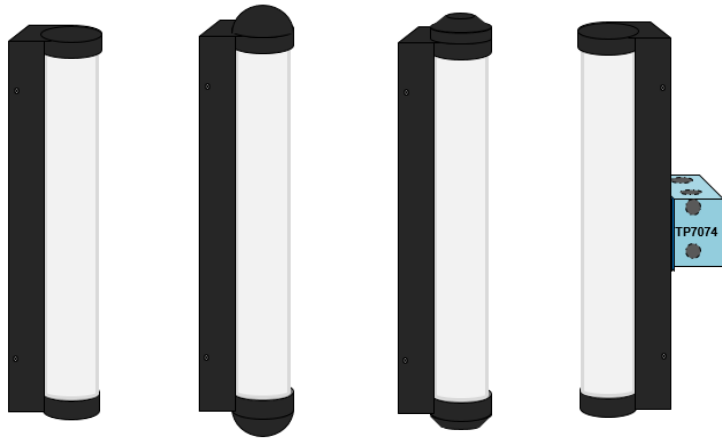
STANDARD

- Designed and Manufactured to Comply with TUV/CB/CE/RoHS/SA/Erp/cETL/FCC
- IP65 Protection, Class I & II Electrical

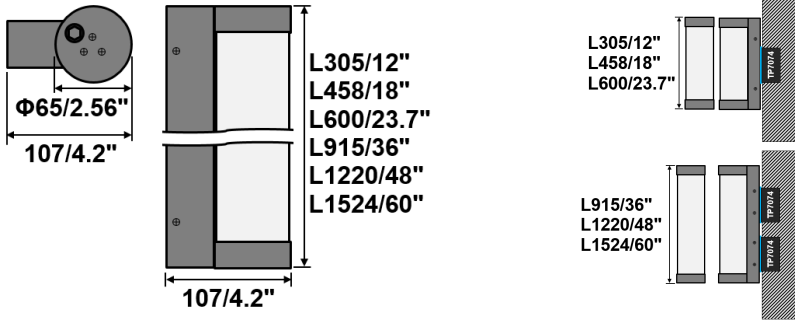
OPTION

- LED CCT: 1,800K~10,000K/R/G/B/Y
- [CRI]: [E] RA80, [G] RA90, [H] RA97
- Custom Housing Finish: Colors by RAL Code

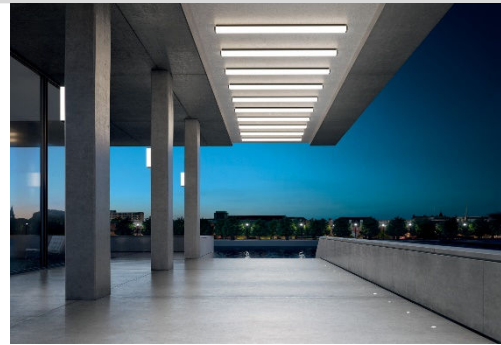
WHITE	BLACK	DARK GREY	GREY	PEARL GREY
RAL9010P	RAL9005P	RAL7016P	RAL7043P	RAL9022P



DIMENSION: [UNIT: MM] **[FJP] TP7074**



CASE STUDY: (L610)



MODEL	POWER [W]	LED TYPE	CCT [K]	CRI	FLUX [LM]	POWER FACTOR	BEAM ANGLE	OPTIONAL DIMMING	INPUT [V]
GTG1208A-MCA65A-L305	10W [15W]	120x0.5W SMD2835	H2700K	RA97	900	> 0.9	180°	[CDT]: TRIAC(15%) [CDV]: 0/1~10V(8%) [CDV0]: 0~10V(1%) [CDV1]: 1~10V(15%) [CDX]: DMX512(1%) [CDA]: DALI(1%) [CRZ]: ZIGBEE(1%) [CRF]: 2.4G RF(1%) [CDP]: PWM(1%)	AC100~277V [AC220~240V] [AC100~240V] [AC100~347V] 50/60Hz
			H3000K	RA97	960				
			H4000K	RA97	1020				
			H6500K	RA97	1020				
GTG1208A-MCA65A-L458	15W [20W]	180x0.5W SMD2835	H2700K	RA97	1270	> 0.9	180°	[CSL]: Lux Sensor [CSM]: Sensor [CSMD]: Dim Sensor	[CV DC12V] [CV DC24V] [CV DC36V] [CV DC48V]
			H3000K	RA97	1350				
			H4000K	RA97	1420				
			H6500K	RA97	1420				
GTG1208A-MCA65A-L600	20W [30W]	240x0.5W SMD2835	H2700K	RA97	1810	> 0.9	180°	Following only for Above L600mm [CBE5W90MIN]: Emergency [CBESMD]: EM+Sensor	[CV DC12V] [CV DC24V] [CV DC36V] [CV DC48V]
			H3000K	RA97	1930				
			H4000K	RA97	2040				
			H6500K	RA97	2040				
GTG1208A-MCA65A-L915	30W [40W]	360x0.5W SMD2835	H2700K	RA97	2720	> 0.9	180°	Following only for Above L600mm [CBE5W90MIN]: Emergency [CBESMD]: EM+Sensor	[CV DC12V] [CV DC24V] [CV DC36V] [CV DC48V]
			H3000K	RA97	2890				
			H4000K	RA97	3060				
			H6500K	RA97	3060				
GTG1208A-MCA65A-L1220	40W [60W]	480x0.5W SMD2835	H2700K	RA97	3630	> 0.9	180°	Following only for Above L600mm [CBE5W90MIN]: Emergency [CBESMD]: EM+Sensor	[CV DC12V] [CV DC24V] [CV DC36V] [CV DC48V]
			H3000K	RA97	3860				
			H4000K	RA97	4080				
			H6500K	RA97	4080				
GTG1208A-MCA65A-L1524	50W [40W]	600x0.5W SMD2835	H2700K	RA97	4540	> 0.9	180°	Following only for Above L600mm [CBE5W90MIN]: Emergency [CBESMD]: EM+Sensor	[CV DC12V] [CV DC24V] [CV DC36V] [CV DC48V]
			H3000K	RA97	4820				
			H4000K	RA97	5100				
			H6500K	RA97	5100				

NOTE:
All parameters are measured at 25°C ambient temperature, 35% humidity experimental environment.
Tolerances of power and luminous flux are ±10%, tolerance of color rendering index is ±5.