

LED Post Top Lantern

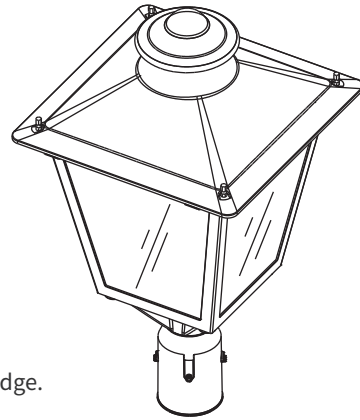
Installation Manual

Cautions:

1. Can not use the electric generator to test the LED lamp.
2. Please abide by related country, regional and local law and regulations when install this fixture.
3. Please turn off the power before installation or maintenance.
4. Proper earth grounding is required to ensure safety.

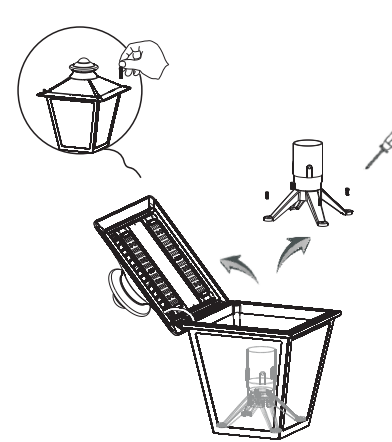
Notice:

1. To avoid possibility of electrical shock or fire, the installation personnel must have professional electric knowledge.
2. Please wear gloves to avoid injury before installation.
3. If any smoke or spark of the wire happened, please turn off the power immediately and notify relevant personnel.

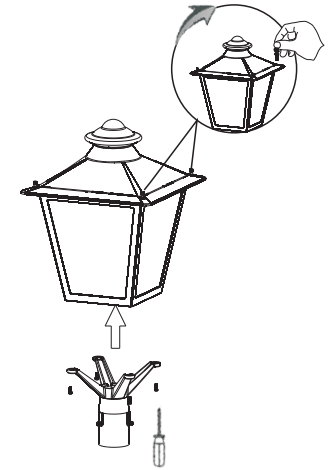


Note: If mount bracket is pre-installed, Please skip step 1 and 2, just follow step 3 and 4

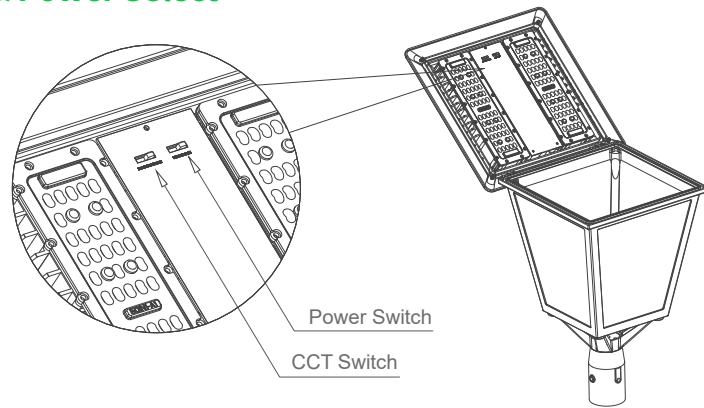
- 1) Remove four screws from top roof, open it and get the mount bracket out.



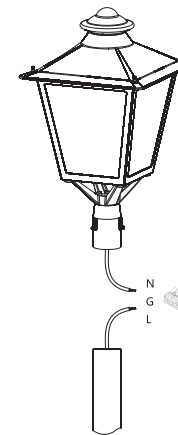
- 2) Get the cord through the middle hole of mount bracket, then attach the mount bracket to bottom of the fixture, align the screw holes and fix it. Close the top roof and tighten four screws



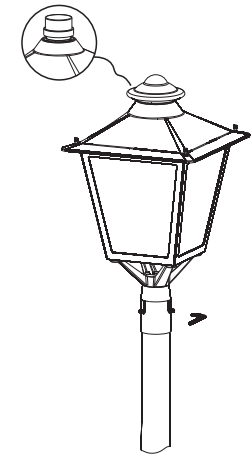
CCT Select & Power Select



- 3) Connect the ACL and the ACN from the lighting fixture to the conduit with the AC power supply cords. Follow the wiring diagram provided as below.

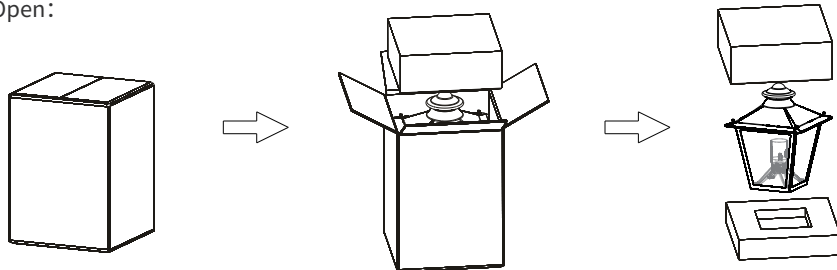


- 4) Slip the fixture over the pole and tighten three screws with the mount bracket below.



Installation Instruction

Box Open:



Attention

1. Please check if there is any damage during shipping. If so, please contact manufacturer timely.
2. Please read the installation instruction carefully to check whether all the accessories are complete. After confirmation, then install the fixture according to installation steps.