

**INTRODUCTION**

**GTE5201A: LED FLOOD LIGHT**

**FEATURE**

Latest Slim Concise Optimized LED Structure  
 Long Lifespan Design > 50,000hours  
 Working Temperature: -30°C~50°C

**MAIN MATERIAL**

LED Brand: GUBO  
 Internal Driver Brand: GUBO  
 Housing: Die-casted Aluminum Housing  
 Optics: Module Clear Anti-UV PC Lens  
 Diffuser: Clear Tempered Glass Diffuser

**INSTALLATION**

Wind-force Test: Typhoon 12Level (36M/S)  
 Suitable for Exterior Light, Like Park, Stadium.....  
**[FBU]:** U-type Bracket Fixing Kits  
**[FPS]:** Stem Pendant  
**[FSC]:** Slip Fitter Mounted  
**NOTES:** Custom Installation and Accessories  
 Referred to Another Catalogue of Fixing Kits.

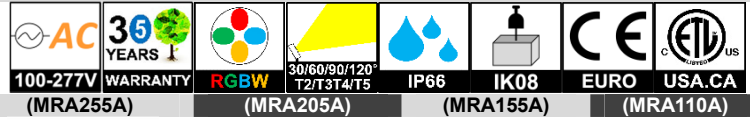
**STANDARD**

Designed and Manufactured to Comply with  
 CE/RoHS/CB/cETL/SAA/SASO Standard  
 Withstand Voltage: 3.75KVAC, Surge: 4KV  
 IP66 Protection, Class I Electric

**CUSTOM OPTION**

LED CCT: 1,800K~10,000K/R/G/B/Y  
 LED Grown Light: **Full Spectrum** 380nm~840nm  
**[CRI]:** [E] RA80, [G] RA90, [H] RA97  
**[F1]:** Custom Housing Finish Colors by RAL Code

WHITE	BLACK	DARK GREY	GREY	PEARL GREY
RAL9010P	RAL9005P	RAL7016P	RAL7043P	RAL9022P






MODEL	POWER [W]	LED TYPE	CCT [K]	CRI	LUMEN [LM]	POWER FACTOR	BEAM ANGLE	CUSTOM DIMMING	INPUT [V]			
GTE5201A-MRA110A1A	6W	24x1.0W SMD2835	E2700K	RA80	820	> 0.9	[Symmetric] BL30D:30° BL60D:60° BL90D:90° BL120D:120°	[CDN]:Non-dimmable	AC100~277V [AC100~240V] [AC100~347V] 50/60Hz			
			E3000K	RA80	860							
			E3500K	RA80	860							
			E4000K	RA80	900							
			E5000K	RA80	900							
GTE5201A-MRA155A1A	12W	48x1.0W SMD2835	E2700K	RA80	1630	> 0.9				[Oval] 60°x120° 90°x120°	[CDT]:TRIAC(10%) [CDV]:0/1~10V(8%) [CDV0]:0~10V(1%) [CDV1]:1~10V(10%) [CDA]:DALI(1%)	[CV DC24V] [CV DC42V]
			E3000K	RA80	1720							
			E3500K	RA80	1720							
			E4000K	RA80	1800							
			E5000K	RA80	1800							
GTE5201A-MRA205A1A	20W	72x1.0W SMD2835	E2700K	RA80	2720	> 0.9	[BDF] 120°	[+CDP]:PWM(1%)	Following by CUSTOM Driver			
			E3000K	RA80	2860							
			E3500K	RA80	2860							
			E4000K	RA80	3000							
			E5000K	RA80	3000							
GTE5201A-MRA255B1A	30W	144x1.0W SMD2835	E2700K	RA80	3810	> 0.9				[CSL]: Photocell Lux Sensor [CSM]: Micro Motion Sensor [CSMD]: Bi-level Microwave Motion Sensor	Following [Sensor]	
			E3000K	RA80	4000							
			E3500K	RA80	4000							
			E4000K	RA80	4200							
			E5000K	RA80	4200							
GTE5201A-MRA350B1A	60W	240x1.0W SMD2835	E2700K	RA80	8160	> 0.9						
			E3000K	RA80	8570							
			E3500K	RA80	8570							
			E4000K	RA80	8980							
			E5000K	RA80	8980							
GTE5201A-MRA350C1A	100W	360x1.0W SMD2835	E2700K	RA80	13600	> 0.9						
			E3000K	RA80	14280							
			E3500K	RA80	14280							
			E4000K	RA80	14960							
			E5000K	RA80	14960							
GTE5201A-MRA350D1A	120W	480x1.0W SMD2835	E2700K	RA80	16330	> 0.9						
			E3000K	RA80	17150							
			E3500K	RA80	17150							
			E4000K	RA80	17960							
			E5000K	RA80	17960							
GTE5201A-MRA500D1A	200W	768x1.0W SMD2835	E2700K	RA80	27210	> 0.9						
			E3000K	RA80	28580							
			E3500K	RA80	28580							
			E4000K	RA80	29940							
			E5000K	RA80	29940							

**NOTE:**

All parameters are measured at 25°C ambient temperature, 35% humidity experimental environment.  
 Tolerances of power and luminous flux are ±10%, tolerance of color rendering index is ±5.

**SPECIFICATION**

**GTE5201A: LED FLOOD LIGHT**


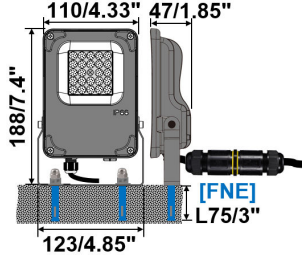
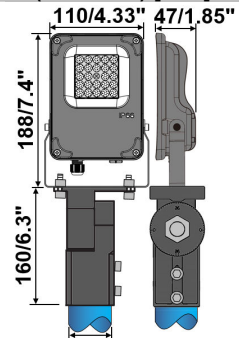
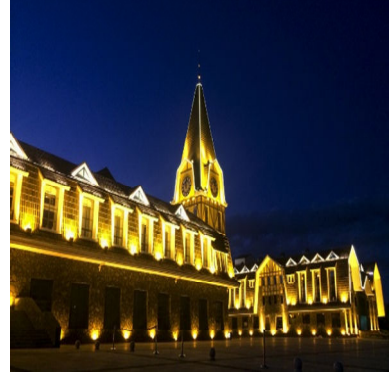
MODEL	POWER [W]	LED TYPE	CCT [K]	CRI	LUMEN [LM]	POWER FACTOR	BEAM ANGLE	CUSTOM DIMMING	INPUT [V]	
GTE5201A-MRA110A2A	10W [6W]	24x2W SMD3030	G3000K	RA90	840	> 0.9	[Symmetric] BL15D:15° BL30D:30° BL30D:45° BL60D:60° BL90D:90° BL120D:120° T5:130° T5M:160°  [Oval] BLV15x60D BLV30x90D BLV60x120D BLV90x120D BLV100x160D  [Asymmetric] T1S:V50xH145° T2S:V80xH150° T2M:V75xH150° T3S:V60xH100° T3M:V80xH150° T4M:V80xH150°  [Frosted] BDF:120°   [Prismatic] BDP:110°   [Louver] BGL LM-20% 	[CDN]:Non-dimmable  [CDT]:TRIAC(10%) [CDV]:0/1~10V(8%) [CDV0]:0~10V(1%) [CDV1]:1~10V(10%) [CDA]:DALI(1%)  [+CDP]:PWM(1%)  Following by Remote Driver  [CDX]:DMX512(1%) [CRZ]:ZIGBEE(1%) [CRF]:2.4G RF(1%) [CRB]:Bluetooth(1%) [CDS]:SPI(1%)  Following [Sensor] [CSL]: Photocell Lux Sensor [CSM]: Micro Motion Sensor [CSMD]: Bi-level Microwave Motion Sensor	AC100~277V [AC100~240V] [AC100~347V] 50/60Hz  [CV DC24V] [CV DC42V]	
			G4000K	RA90	900					
			G6500K	RA90	880					
	15W [12W]	24x2W SMD3030	G3000K	RA90	1180					
			G4000K	RA90	1250					
2C@15W	TWG	G2700K	G6500K	RA90	900	>0.9				
	RGB	620nm	520nm	465nm	\	900				>0.5
	RGBW	620nm	520nm	465nm	2700K	\				900
GTE5201A-MRA155A2A	20W [12W]	48x2W SMD3030	G3000K	RA90	1680	> 0.9				
			G4000K	RA90	1780					
			G6500K	RA90	1750					
	30W [20W]	48x2W SMD3030	G3000K	RA90	2340	> 0.9				
			G4000K	RA90	2500					
2C@30W	TWG	G2700K	G6500K	RA90	1800	>0.9				
	RGB	620nm	520nm	465nm	\	1800				>0.5
	RGBW	620nm	520nm	465nm	2700K	\	1800	>0.5		
GTE5201A-MRA205A2A	40W [30W]	72x2W SMD3030	G3000K	RA90	3350	> 0.9				
			G4000K	RA90	3580					
			G6500K	RA90	3500					
	50W	72x2W SMD3030	G3000K	RA90	4190	> 0.9				
			G4000K	RA90	4470					
2C@50W	TWG	G2700K	G6500K	RA90	3000	>0.9				
	RGB	620nm	520nm	465nm	\	3000	>0.9			
	RGBW	620nm	520nm	465nm	2700K	\	3000	>0.9		
GTE5201A-MRA255B2A	60W [50W]	144x2W SMD3030	G3000K	RA90	5030	> 0.9				
			G4000K	RA90	5360					
			G6500K	RA90	5260					
	80W	144x2W SMD3030	G3000K	RA90	6700	> 0.9				
			G4000K	RA90	7150					
2C@80W	TWG	G2700K	G6500K	RA90	4800	>0.9				
	RGB	620nm	520nm	465nm	\	4800	>0.9			
	RGBW	620nm	520nm	465nm	2700K	\	4800	>0.9		
GTE5201A-MRA350B2A	100W [60W]	240x2W SMD3030	G3000K	RA90	8370	> 0.95				
			G4000K	RA90	8940					
			G6500K	RA90	8770					
	120W [80W]	240x2W SMD3030	G3000K	RA90	10000	> 0.95				
			G4000K	RA90	10730					
2C@120W	TWG	G2700K	G6500K	RA90	7200	>0.9				
	RGB	620nm	520nm	465nm	\	7200	>0.9			
	RGBW	620nm	520nm	465nm	2700K	\	7200	>0.9		
GTE5201A-MRA350C2A	150W [100W]	360x2W SMD3030	G3000K	RA90	12560	> 0.95				
			G4000K	RA90	13410					
			G6500K	RA90	13150					
	180W [120W]	360x2W SMD3030	G3000K	RA90	15070	> 0.95				
			G4000K	RA90	16090					
2C@180W	TWG	G2700K	G6500K	RA90	10800	>0.9				
	RGB	620nm	520nm	465nm	\	10800	>0.9			
	RGBW	620nm	520nm	465nm	2700K	\	10800	>0.9		
GTE5201A-MRA350D2A	200W [120W]	480x2W SMD3030	G3000K	RA90	16750	> 0.95				
			G4000K	RA90	17880					
			G6500K	RA90	17540					
	240W [150W]	480x2W SMD3030	G3000K	RA90	20000	> 0.95				
			G4000K	RA90	21450					
2C@240W	TWG	G2700K	G6500K	RA90	14380	>0.9				
	RGB	620nm	520nm	465nm	\	14380	>0.9			
	RGBW	620nm	520nm	465nm	2700K	\	14380	>0.9		
GTE5201A-MRA500D2A	240W [200W]	768x2W SMD3030	G3000K	RA90	20000	> 0.95				
			G4000K	RA90	21450					
			G6500K	RA90	21050					
	320W	768x2W SMD3030	G3000K	RA90	26790	> 0.95				
			G4000K	RA90	28610					
2C@320W	TWG	G2700K	G6500K	RA90	19500	>0.9				
	RGB	620nm	520nm	465nm	\	19500	>0.9			
	RGBW	620nm	520nm	465nm	2700K	\	19500	>0.9		


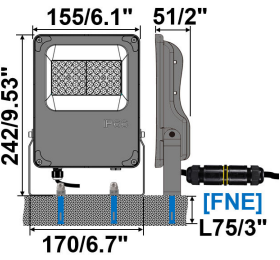
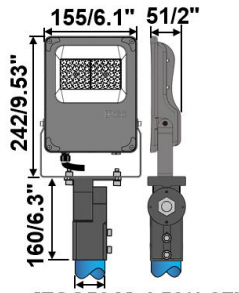
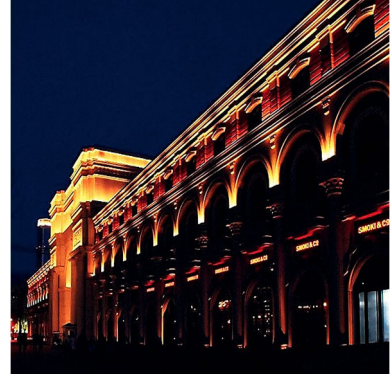
**NOTE:**


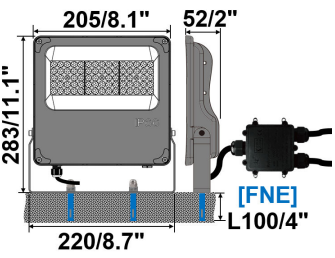
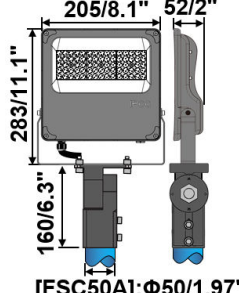

All parameters are measured at 25°C ambient temperature, 35% humidity experimental environment.  
Tolerances of power and luminous flux are ±10%, tolerance of color rendering index is ±5.


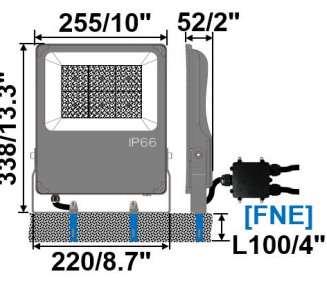
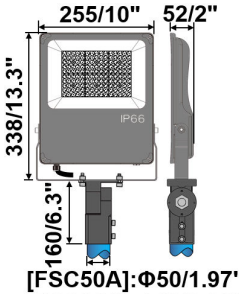

**SPECIFICATION**

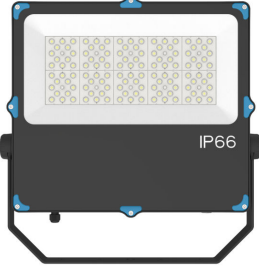
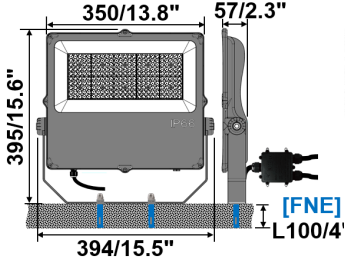
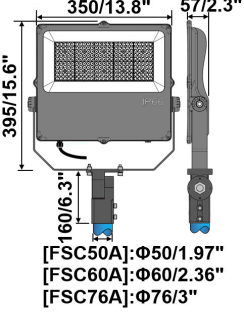

**GTE5201A: LED FLOOD LIGHT**

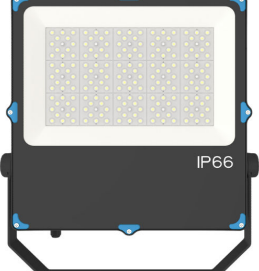
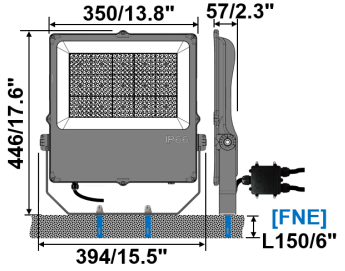
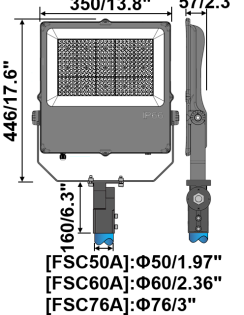

(MRA110A) DIMENSION: [UNIT: MM]			CASE STUDY
(MRA110A)-[FBU]	(MRA110A)-[FBU]	(MRA110A)-[FSC]	
			
		<p>110/4.33" 47/1.85"</p> <p>188/7.4"</p> <p>160/6.3"</p> <p>[FNE] L75/3"</p> <p>[FSC50A]: Φ50/1.97"</p> <p>[FSC60A]: Φ60/2.36"</p>	

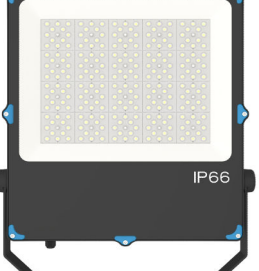
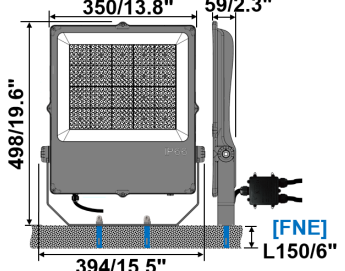
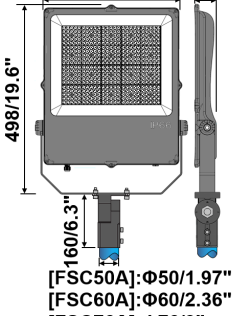

(MRA155A) DIMENSION: [UNIT: MM]			CASE STUDY
(MRA155A)-[FBU]	(MRA155A)-[FBU]	(MRA155A)-[FSC]	
			
		<p>155/6.1" 51/2"</p> <p>242/9.53"</p> <p>160/6.3"</p> <p>[FNE] L75/3"</p> <p>[FSC50A]: Φ50/1.97"</p> <p>[FSC60A]: Φ60/2.36"</p>	

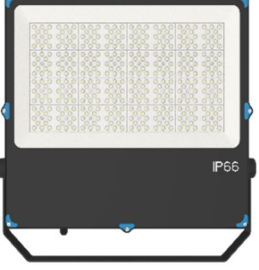
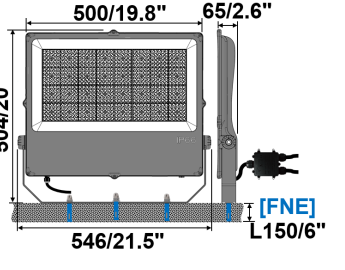
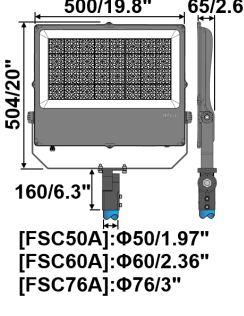
(MRA205A) DIMENSION: [UNIT: MM]			CASE STUDY
(MRA205A)-[FBU]	(MRA205A)-[FBU]	(MRA205A)-[FSC]	
			
		<p>205/8.1" 52/2"</p> <p>283/11.1"</p> <p>160/6.3"</p> <p>[FNE] L100/4"</p> <p>[FSC50A]: Φ50/1.97"</p> <p>[FSC60A]: Φ60/2.36"</p> <p>[FSC76A]: Φ76/3"</p>	

(MRA255B) DIMENSION: [UNIT: MM]			CASE STUDY
(MRA255B)-[FBU]	(MRA255B)-[FBU]	(MRA255B)-[FSC]	
			
		<p>255/10" 52/2"</p> <p>338/13.3"</p> <p>160/6.3"</p> <p>[FNE] L100/4"</p> <p>[FSC50A]: Φ50/1.97"</p> <p>[FSC60A]: Φ60/2.36"</p> <p>[FSC76A]: Φ76/3"</p>	

(MRA350B) DIMENSION: [UNIT: MM]		CASE STUDY
(MRA350B)-[FBU]	(MRA350B)-[FBU]	(MRA350B)-[FSC]
		 [FSC50A]: Φ50/1.97" [FSC60A]: Φ60/2.36" [FSC76A]: Φ76/3"
		

(MRA350C) DIMENSION: [UNIT: MM]		CASE STUDY
(MRA350C)-[FBU]	(MRA350C)-[FBU]	(MRA350C)-[FSC]
		 [FSC50A]: Φ50/1.97" [FSC60A]: Φ60/2.36" [FSC76A]: Φ76/3"
		

(MRA350D) DIMENSION: [UNIT: MM]		CASE STUDY
(MRA350D)-[FBU]	(MRA350D)-[FBU]	(MRA350D)-[FSC]
		 [FSC50A]: Φ50/1.97" [FSC60A]: Φ60/2.36" [FSC76A]: Φ76/3"
		

(MRA500D) DIMENSION: [UNIT: MM]		CASE STUDY
(MRA500D)-[FBU]	(MRA500D)-[FBU]	(MRA500D)-[FSC]
		 [FSC50A]: Φ50/1.97" [FSC60A]: Φ60/2.36" [FSC76A]: Φ76/3"
		