

WILMA

L70
25°C

187,000 Hours

AmberLED Excel Square Bulkhead



WILMA-GRQ
Grid Frame



WILMA-OFQ
Open Frame



WILMA-HCQ
Half Cutoff

The LEPG AmberLED WILMA Bulkhead is designed to replace HID Lighting systems for wildlife, dark skies, or security applications requiring monochromatic AMBER light. LEDs operate between 585 and 595nm, greater than 560nm required for wildlife protection. Typical applications include office and public buildings, condominiums, schools, shopping malls, and hospitality. Recommended mounting heights are 8 to 20 feet.

Specifications and Features:

Housing:

Die Cast Gasketed Aluminum Housing with Integral Heat Sinking and Driver Compartment. Nickel-Plated Stainless Steel Hardware. Photocell Adaptable.

Listing & Ratings:

ETL: Listed for Wet Locations, ANSI/UL 1598, 8750; IP66 Sealed LED Compartment.

Finish:

Textured Architectural Bronze Powdercoat Finish Over a Chromate Conversion Coating. Custom Colors Available Upon Request.

Lens:

SoftLED LumaLens UV-Stabilized Polycarbonate Opal Vandal-Resistant Lens Eliminates LED Hot Spots

Mounting Options:

Surface Mount

AmberLED:

Aluminum Boards

Wattage:

17w Array: 17w, System: 18.7w

Driver:

Electronic Driver, 120-277V, 50/60Hz; Less Than 20% THD and PF>0.90. Standard Internal Surge Protection 2kV. 0-10V Dimming Standard for a Dimming Range of 100% to 10%; Dimming Source Current is 150 Microamps.

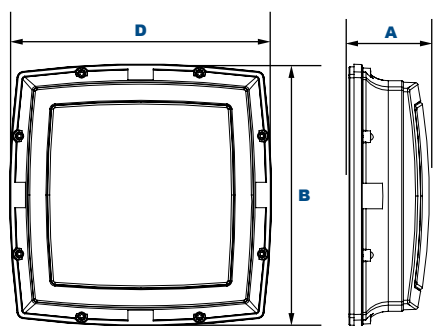
Controls:

Fixtures Ordered with Factory-Installed Photocell or Motion Sensor Controls are Internally Wired for Switching and/or 1-10V Dimming Within the Housing. Remote Direct Wired Interface of 1-10V Dimming is Not Implied and May Not Be Available, Please Consult Factory. Fixtures are Tested with our Controls and May Not Function Properly With Controls Supplied By Others. Fixtures are NOT Designed for Use with Line Voltage Dimmers.

Warranty:

5-Year Warranty for -40°C to +50°C Environment.

See Page 3 for Projected Lumen Maintenance Table.



Dimensions

Width (D)	12½" (318mm)
Length (B)	12½" (318mm)
Height (A)	WILMA-OFQ: 3 ¹⁵ / ₁₆ " (100mm) WILMA-GRQ: 4¼" (108mm) WILMA-HCQ: 4¼" (108mm)

Project Information:

Project Name:	Fixture Type:
Complete Catalog #:	Date:
Comments:	

Certification & Listings:



Order Information Example:

WILMA-GRQ-F-1X17-U-AM-L-Z-SF

	F	1X17	U	AM	L		
Model	Optics	Wattage	Driver	CCT	Lens	Color	Options
WILMA-OFQ =AmberLED Excel Square Bulkhead Open Frame WILMA-GRQ =AmberLED Excel Square Bulkhead Grid Frame WILMA-HCQ =AmberLED Excel Square Bulkhead Half Cutoff	F=Type V	1X17=17w	U=120-277V	AM=1400K	L=SoftLED LumaLens Opal UV-Stabilized Polycarbonate Array Lens	Z=Bronze W=White C=Custom (Consult Factory)	SF =Single Fuse* DF =Double Fuse* SP =Surge Protector PC3 =Photocell, 120-277VAC S2 =Microwave Sensor with Dimming for Mounting Heights of 8' to 40'.* S4 =Microwave On/Off Motion Sensor for Mounting Heights of 8' to 19'.* BU =Battery Backup, 90 Minutes* BUC =Cold Start Battery Backup, -20°C, 90 Minutes*
							*120-277V Models Only

Accessories & Replacement Parts:

Replacement Parts (Order Separately, Field Installed)

P18103	120-277VAC Photocell
P17117	Internal Microwave Sensor with Dimming for Mounting Heights of 8 to 40'. 120-277VAC, 50/60Hz.
P17123	Internally Mounted Microwave On/Off Motion Sensor for Mounting Heights of 8' to 19', 120-277VAC, 50/60Hz

For Replacement Battery Backup, see the LEPG LED Battery Backup Specification Sheet.



P18103

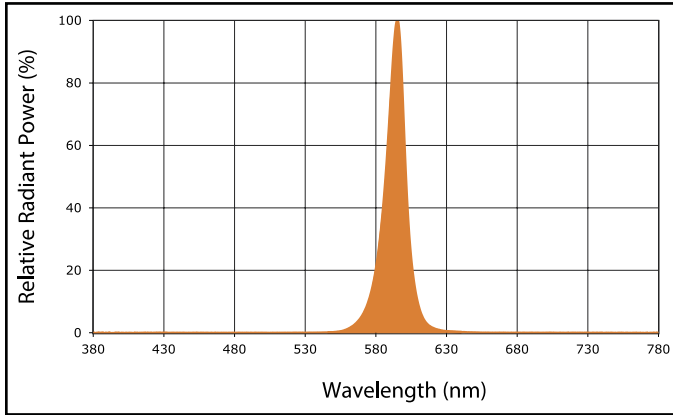


P17117



P17123

Spectral Chart



Photometric Performance

LED Board Watts	Input Watts	Amber LED				
		Lumens	LPW	B	U	G
AmberLED 17w Wilma-OFQ	18.7w	1051	56	0	1	0
AmberLED 17w Wilma-HCQ		962	51	0	1	0
AmberLED 17w Wilma-GRQ		893	48	0	1	0

Projected Lumen Maintenance

Data shown for Amber LEDs		Compare to MH				
TM-21-11	Input Watts	Initial	25,000 Hrs	50,000 Hrs	100,000 Hrs	Calculated LED Life
L70 Lumen Maintenance @ 25°C / 77°F	18.7w	1.00	0.96	0.92	0.84	187,000
L70 Lumen Maintenance @ 50°C / 122°F		1.00	0.96	0.91	0.82	113,000
L80 Lumen Maintenance @ 40°C / 104°F		1.00	0.94	0.89	0.77	88,000

- NOTES:**
- Projected per IESNA TM-21-11. Data references the extrapolated performance projections for the base model in a 25°C ambient, based on 10,000 hours of LED testing per IESNA LM-80-08.
 - Compare to MH box indicates suggested Light Loss Factor (LLF) to be used when comparing to Metal Halide (MH) systems.