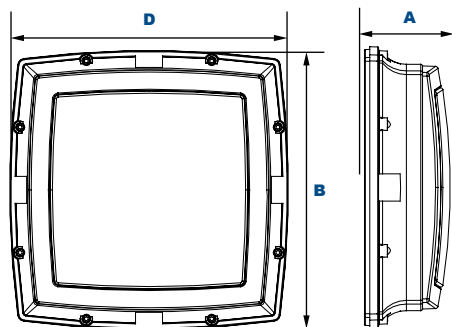


WILMA-OFQ L70 25°C 187,000 Hours

Square Bulkhead Open Frame



Dimensions

Width (D)	12½" (318mm)
Length (B)	12½" (318mm)
Height (A)	3 ¹⁵ / ₁₆ " (100mm)

Project Information:

Project Name:	Fixture Type:
Complete Catalog #:	Date:
Comments:	

The WILMA Square Bulkhead is designed to replace HID lighting systems up to 250w MH or HPS. The open door frame allows for maximum light output. Typical applications include office and public buildings, condominiums, schools, shopping malls, and hospitality. Recommended mounting heights are 8 to 20 feet.

Specifications and Features:

Housing:

Die Cast Gasketed Aluminum Open Front Frame and Housing with Integral Heat Sinking and Driver Compartment. Nickel-Plated Stainless Steel Hardware. Photocell Adaptable.

Listing & Ratings:

ETL: Listed for Wet Locations, ANSI/UL 1598, 8750; IP66 Sealed LED Compartment.

Finish:

Textured Architectural Bronze Powdercoat Finish Over a Chromate Conversion Coating. Custom Colors Available Upon Request.

Lens:

SoftLED LumaLens UV-Stabilized Polycarbonate Opal Vandal-Resistant Lens Eliminates LED Hot Spots

Mounting Options:

Surface Mount

EasyLED LED:

Aluminum Boards

Wattage:

Array: 12w, System: 12.9w; (100w HID Equivalent)

Array: 17w, System: 18.1w; (100w HID Equivalent)

Array: 25w, System: 27.1w; (250w HID Equivalent)

Driver:

Electronic Driver, 120-277V, 50/60Hz, 347V, 50/60Hz or 480-347V, 50/60Hz; Less Than 20% THD and PF>0.90. Standard Internal Surge Protection 2kV. 0-10V Dimming Standard for a Dimming Range of 100% to 10%; Dimming Source Current is 150 Microamps.

Controls:

Fixtures Ordered with Factory-Installed Photocell or Motion Sensor Controls are Internally Wired for Switching and/or 1-10V Dimming Within the Housing. Please consult factory for remote direct wired interface of 1-10V Dimming, fixtures are not wired for remote control connection standard and may not be available in this configuration. Fixtures are NOT designed for use with line voltage dimmers.

Warranty:

5-Year Warranty for -40°C to +50°C Environment.

See Page 3 for Projected Lumen Maintenance Table.

Certification & Listings:



SoftLED

Order Information Example: WILMA-OFQ-F-1X25-U-5K-L-Z-SF

F		L					
Model	Optics	Wattage	Driver	CCT	Lens	Color	Options
WILMA-OFQ=Square Bulkhead Open Frame	F=Type V	1X12=12w 1X17=17w 1X25=25w	U=120-277V C=347V* H=347-480V♦ *17w Only ♦25w Only	3K=3000K 4K=4000K 5K=5000K	L=SoftLED LumaLens Opal UV-Stabilized Polycarbonate Array Lens	Z=Bronze W=White C=Custom (Consult Factory)	SF=Single Fuse* DF=Double Fuse* SP=Surge Protector PC3=Photocell, 120-277VAC S2=Microwave Sensor with Dimming for Mounting Heights of 8' to 40'.* S4=Microwave On/Off Motion Sensor for Mounting Heights of 8' to 19'.* BU=Battery Backup, 90 Minutes* BUC=Cold Start Battery Backup, -20°C, 90 Minutes* *120-277V Models Only

Accessories & Replacement Parts:

**Replacement Parts
(Order Separately, Field Installed)**

P18103	120-277VAC Photocell
P17117	Internal Microwave Sensor with Dimming for Mounting Heights of 8 to 40'. 120-277VAC, 50/60Hz.
P17123	Internally Mounted Microwave On/Off Motion Sensor for Mounting Heights of 8' to 19', 120-277VAC, 50/60Hz

For Replacement Battery Backup, see the LED Battery Backup Specification Sheet.



P18103

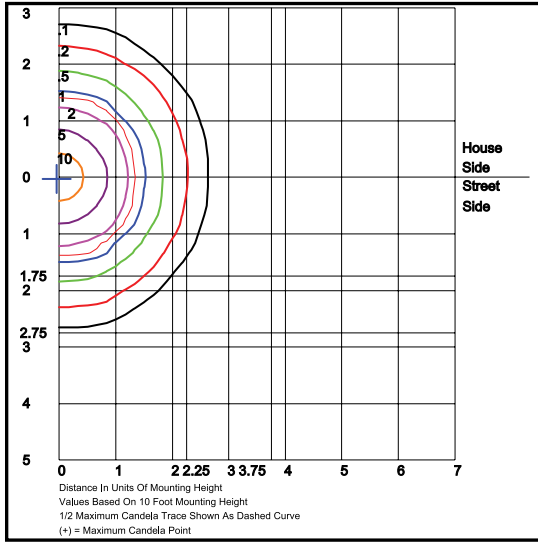


P17117



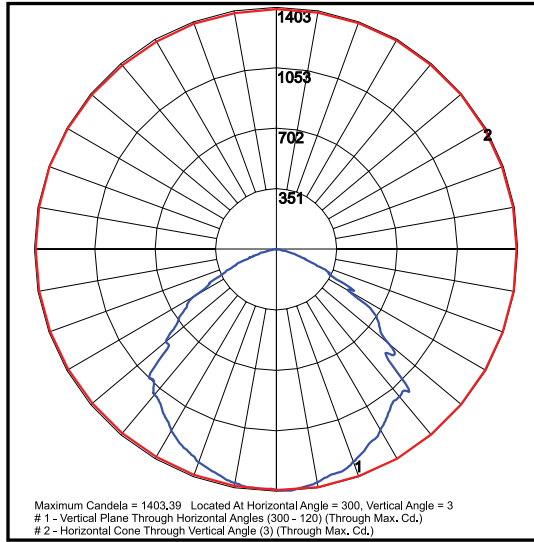
P17123

Photometric Data



WILMA-OFQ-F-1X25-U-5K Type V

Grid in MH
MH=10 Feet



WILMA-OFQ-F-1X25-U-5K Type V

Photometric Performance

		Wattage (Catalog Logic)	12W (1X12)	17W (1X17)	25W (1X25)
Input Watts			12.9W	18.1W	27.1W
Optic	CCT	Delivered Lumens			
F = Type V	3000K	1,545	2,163	3,245	
	4000K	1,676	2,347	3,520	
	5000K	1,746	2,444	3,667	
	BUG Rating	B1-U1-G0	B1-U1-G0	B2-U1-G0	

Projected Lumen Maintenance

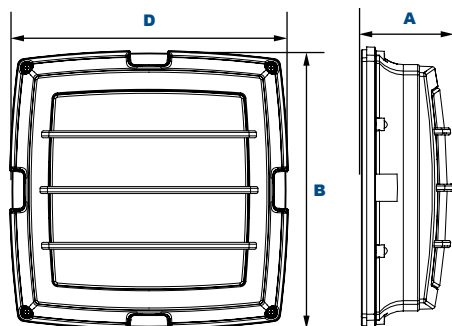
Data shown for 5000 CCT		Compare to MH				
TM-21-11	Input Watts	Initial	25,000 Hrs	50,000 Hrs	100,000 Hrs	Calculated LED Life
L70 Lumen Maintenance @ 25°C / 77°F	All wattages up to and including 27w	1.00	0.96	0.92	0.84	187,000
L70 Lumen Maintenance @ 50°C / 122°F		1.00	0.96	0.91	0.82	113,000
L80 Lumen Maintenance @ 40°C / 104°F		1.00	0.94	0.89	0.77	88,000

NOTES:

- Projected per IESNA TM-21-11. Data references the extrapolated performance projections for the base model in a 25°C ambient, based on 10,000 hours of LED testing per IESNA LM-80-08.
- Compare to MH box indicates suggested Light Loss Factor (LLF) to be used when comparing to Metal Halide (MH) systems.

WILMA-GRQ L70 25°C 187,000 Hours

Square Bulkhead Grid Frame



Dimensions

Width (D)	12½" (318mm)
Length (B)	12½" (318mm)
Height (A)	4¼" (108mm)

Project Information:

Project Name:	Fixture Type:
Complete Catalog #:	Date:
Comments:	

The WILMA Square Bulkhead is designed to replace HID lighting systems up to 250w MH or HPS. The grid frame helps protect the UV-Stabilized Polycarbonate lens and adds a decorative appearance. Typical applications include office and public buildings, condominiums, schools, shopping malls, and hospitality. Recommended mounting heights are 8 to 20 feet.

Specifications and Features:

Housing:

Die Cast Gasketed Aluminum Grid Front Frame and Housing with Integral Heat Sinking and Driver Compartment. Nickel-Plated Stainless Steel Hardware. Photocell Adaptable.

Listing & Ratings:

ETL: Listed for Wet Locations, ANSI/UL 1598, 8750; IP66 Sealed LED Compartment.

Finish:

Textured Architectural Bronze Powdercoat Finish Over a Chromate Conversion Coating. Custom Colors Available Upon Request.

Lens:

SoftLED LumaLens UV-Stabilized Polycarbonate Opal Vandal-Resistant Lens Eliminates LED Hot Spots

Mounting Options:

Surface Mount

EasyLED LED:

Aluminum Boards

Wattage:

Array: 12w, System: 12.9w; (100w HID Equivalent)
 Array: 17w, System: 18.1w; (100w HID Equivalent)
 Array: 25w, System: 27.1w; (250w HID Equivalent)

Driver:

Electronic Driver, 120-277V, 50/60Hz, 347V, 50/60Hz or 480-347V, 50/60Hz; Less Than 20% THD and PF>0.90. Standard Internal Surge Protection 2kV. 0-10V Dimming Standard for a Dimming Range of 100% to 10%; Dimming Source Current is 150 Microamps.

Controls:

Fixtures Ordered with Factory-Installed Photocell or Motion Sensor Controls are Internally Wired for Switching and/or 1-10V Dimming Within the Housing. Please consult factory for remote direct wired interface of 1-10V Dimming, fixtures are not wired for remote control connection standard and may not be available in this configuration. Fixtures are NOT designed for use with line voltage dimmers.

Warranty:

5-Year Warranty for -40°C to +50°C Environment.

See Page 3 for Projected Lumen Maintenance Table.

Certification & Listings:



Order Information Example: WILMA-GRQ-F-1X25-U-5K-L-Z-SF

F				L			
Model	Optics	Wattage	Driver	CCT	Lens	Color	Options
WILMA-GRQ=Square Bulkhead Grid Frame	F=Type V	1X12=12w 1X17=17w 1X25=25w	U=120-277V C=347V* H=347-480V* *17w Only *25w Only	3K=3000K 4K=4000K 5K=5000K	L=SoftLED LumaLens Opal UV-Stabilized Polycarbonate Array Lens	Z=Bronze W=White C=Custom (Consult Factory)	SF=Single Fuse* DF=Double Fuse* SP=Surge Protector PC3=Photocell, 120-277VAC S2=Microwave Sensor with Dimming for Mounting Heights of 8' to 40'.* S4=Microwave On/Off Motion Sensor for Mounting Heights of 8' to 19'.* BU=Battery Backup, 90 Minutes* BUC=Cold Start Battery Backup, -20°C, 90 Minutes* *120-277V Models Only

Accessories & Replacement Parts:

**Replacement Parts
(Order Separately, Field Installed)**

P18103	120-277VAC Photocell
P17117	Internal Microwave Sensor with Dimming for Mounting Heights of 8 to 40'. 120-277VAC, 50/60Hz.
P17123	Internally Mounted Microwave On/Off Motion Sensor for Mounting Heights of 8' to 19', 120-277VAC, 50/60Hz

For Replacement Battery Backup, see the LED Battery Backup Specification Sheet.



P18103

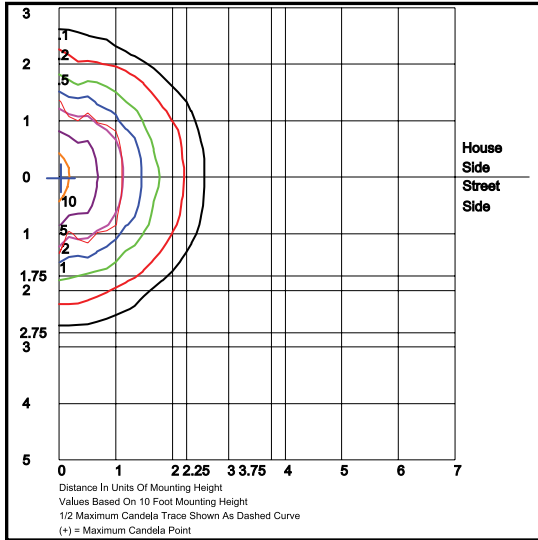


P17117



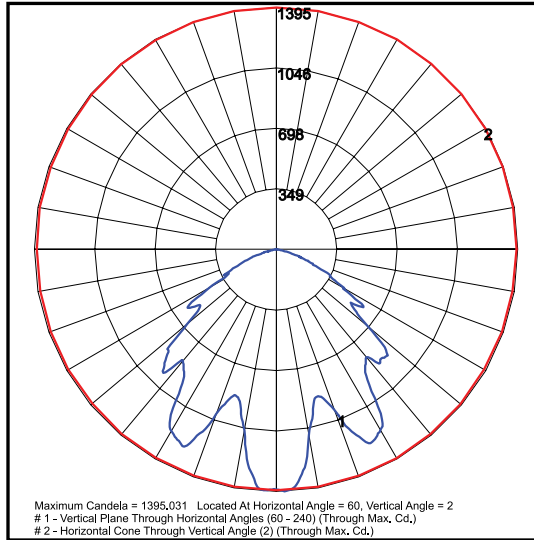
P17123

Photometric Data



WILMA-GRQ-F-1X25-
U-5K Type V

Grid in MH
MH=10 Feet



WILMA-GRQ-F-1X25-
U-5K Type V

Photometric Performance

	Wattage (Catalog Logic)	12W (1X12)	17W (1X17)	25W (1X25)
Input Watts		12.9W	18.1W	27.1W
Optic	CCT	Delivered Lumens		
F = Type V	3000K	1,313	1,838	2,757
	4000K	1,424	1,994	2,990
	5000K	1,483	2,077	3,115
	BUG Rating	B1-U1-G0	B1-U1-G0	B1-U1-G0

Projected Lumen Maintenance

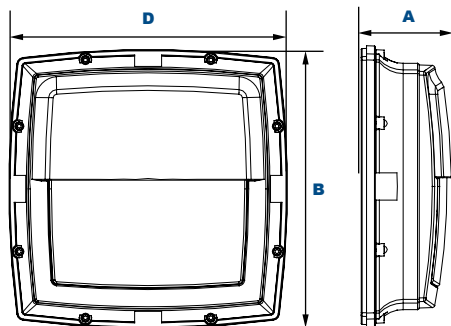
Data shown for 5000 CCT		Compare to MH				
TM-21-11	Input Watts	Initial	25,000 Hrs	50,000 Hrs	100,000 Hrs	Calculated LED Life
L70 Lumen Maintenance @ 25°C / 77°F	All wattages up to and including 27w	1.00	0.96	0.92	0.84	187,000
L70 Lumen Maintenance @ 50°C / 122°F		1.00	0.96	0.91	0.82	113,000
L80 Lumen Maintenance @ 40°C / 104°F		1.00	0.94	0.89	0.77	88,000

NOTES:

- Projected per IESNA TM-21-11. Data references the extrapolated performance projections for the base model in a 25°C ambient, based on 10,000 hours of LED testing per IESNA LM-80-08.
- Compare to MH box indicates suggested Light Loss Factor (LLF) to be used when comparing to Metal Halide (MH) systems.

WILMA-HCQ L70 25°C 187,000 Hours

Square Bulkhead Half Cutoff



Dimensions

Width (D)	12½" (318mm)
Length (B)	12½" (318mm)
Height (A)	4¼" (108mm)

Project Information:

Project Name:	Fixture Type:
Complete Catalog #:	Date:
Comments:	

The WILMA Square Bulkhead is designed to replace HID lighting systems up to 250w MH or HPS. The half-cutoff frame helps protect the UV-Stabilized Polycarbonate lens and adds a decorative appearance. Typical applications include office and public buildings, condominiums, schools, shopping malls, and hospitality. Recommended mounting heights are 8 to 20 feet.

Specifications and Features:

Housing:

Die Cast Gasketed Aluminum Half Cutoff Front Frame and Housing with Integral Heat Sinking and Driver Compartment. Nickel-Plated Stainless Steel Hardware. Photocell Adaptable.

Listing & Ratings:

ETL: Listed for Wet Locations, ANSI/UL 1598, 8750; IP66 Sealed LED Compartment.

Finish:

Textured Architectural Bronze Powdercoat Finish Over a Chromate Conversion Coating. Custom Colors Available Upon Request.

Lens:

SoftLED LumaLens UV-Stabilized Polycarbonate Opal Vandal-Resistant Lens Eliminates LED Hot Spots

Mounting Options:

Surface Mount

EasyLED LED:

Aluminum Boards

Wattage:

Array: 12w, System: 12.9w; (100w HID Equivalent)
 Array: 17w, System: 18.1w; (100w HID Equivalent)
 Array: 25w, System: 27.1w; (250w HID Equivalent)

Driver:

Electronic Driver, 120-277V, 50/60Hz, 347V, 50/60Hz or 480-347V, 50/60Hz; Less Than 20% THD and PF>0.90. Standard Internal Surge Protection 2kV. 0-10V Dimming Standard for a Dimming Range of 100% to 10%; Dimming Source Current is 150 Microamps.

Controls:

Fixtures Ordered with Factory-Installed Photocell or Motion Sensor Controls are Internally Wired for Switching and/or 1-10V Dimming Within the Housing. Please consult factory for remote direct wired interface of 1-10V Dimming, fixtures are not wired for remote control connection standard and may not be available in this configuration. Fixtures are NOT designed for use with line voltage dimmers.

Warranty:

5-Year Warranty for -40°C to +50°C Environment.

See Page 3 for Projected Lumen Maintenance Table.

Certification & Listings:



Order Information Example: WILMA-HCQ-F-1X25-U-5K-L-Z-SF

Model	Optics	Wattage	Driver	CCT	Lens	Color	Options
WILMA-HCQ=Square Bulkhead Half Cutoff	F=Type V	1X12=12w 1X17=17w 1X25=25w	U=120-277V C=347V* H=347-480V♦ *17w Only ♦25w Only	4K=4000K 5K=5000K	L=SoftLED LumaLens Opal UV-Stabilized Polycarbonate Array Lens	Z=Bronze W=White C=Custom (Consult Factory)	SF =Single Fuse* DF =Double Fuse* SP =Surge Protector PC3 =Photocell, 120-277VAC S2 =Microwave Sensor with Dimming for Mounting Heights of 8' to 40'.* S4 =Microwave On/Off Motion Sensor for Mounting Heights of 8' to 19'.* BU =Battery Backup, 90 Minutes* BUC =Cold Start Battery Backup, -20°C, 90 Minutes* *120-277V Models Only

Accessories & Replacement Parts:

**Replacement Parts
(Order Separately, Field Installed)**

P18103	120-277VAC Photocell
P17117	Internal Microwave Sensor with Dimming for Mounting Heights of 8 to 40'. 120-277VAC, 50/60Hz.
P17123	Internally Mounted Microwave On/Off Motion Sensor for Mounting Heights of 8' to 19', 120-277VAC, 50/60Hz

For Replacement Battery Backup, see the LED Battery Backup Specification Sheet.



P18103

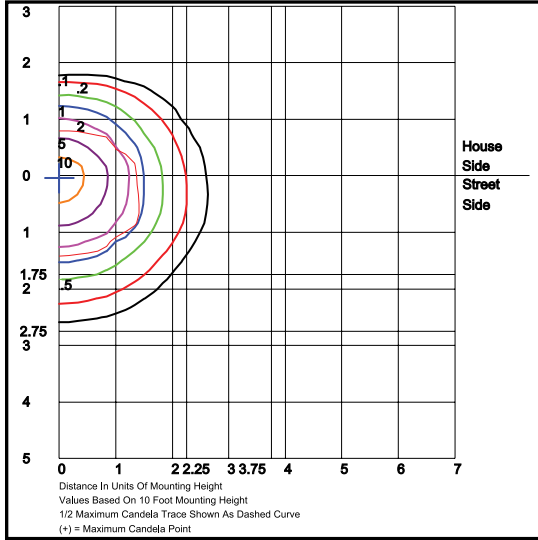


P17117



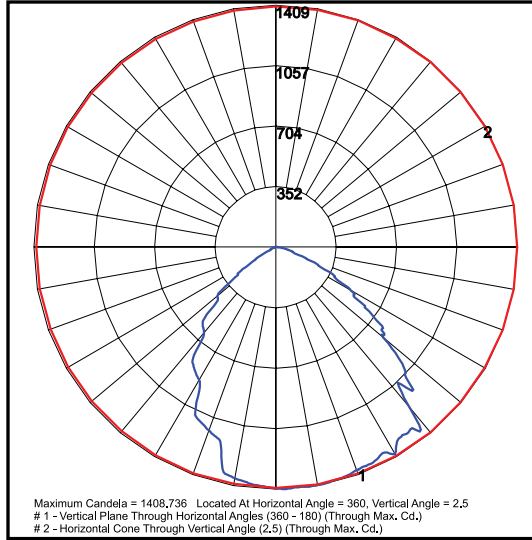
P17123

Photometric Data



WILMA-HCQ-F-1X25-
U-5K Type V

Grid in MH
MH=10 Feet



WILMA-HCQ-F-1X25-
U-5K Type V

Photometric Performance

	Wattage (Catalog Logic)	12W (1X12)	17W (1X17)	25W (1X25)
Input Watts		12.9W	18.1W	27.1W
Optic	CCT	Delivered Lumens		
F = Type V	4000K	1,535	2,149	3,223
	5000K	1,599	2,238	3,358
	BUG Rating	B1-U1-G0	B1-U1-G0	B2-U1-G1

Projected Lumen Maintenance

Data shown for 5000 CCT		Compare to MH				
TM-21-11	Input Watts	Initial	25,000 Hrs	50,000 Hrs	100,000 Hrs	Calculated LED Life
L70 Lumen Maintenance @ 25°C / 77°F	All wattages up to and including 27w	1.00	0.96	0.92	0.84	187,000
L70 Lumen Maintenance @ 50°C / 122°F		1.00	0.96	0.91	0.82	113,000
L80 Lumen Maintenance @ 40°C / 104°F		1.00	0.94	0.89	0.77	88,000

NOTES:
1. Projected per IESNA TM-21-11. Data references the extrapolated performance projections for the base model in a 25°C ambient, based on 10,000 hours of LED testing per IESNA LM-80-08.
2. Compare to MH box indicates suggested Light Loss Factor (LLF) to be used when comparing to Metal Halide (MH) systems.