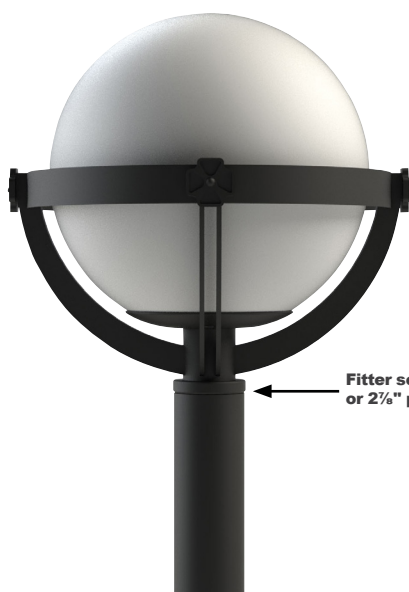


## POST TOP/PENDANT MOUNT



Astrix 1 Stem Mount

Astrix 1 Pendant



Astrix 1 Post Top with DEC3B Cage

Fitter section slips over 3" or 2 1/2" pole or tenon

### Specifications and Features:

#### Radiant™ LED

- Conformal Coating LED Light Engine
- CCT: Standard-3000K, 4000K, & 5000K
- 2700K, Amber, LPS (1800K) Offered for Some Wattages - Consult Factory
- Static Colors Available - Contact Factory

#### Distribution

- Types II, III, IV, V

#### Electrical

- Electronic Driver, 120-277V, 50/60Hz or 347/480V, 50/60Hz
- 0-10v Dimmable Driver
- Standard Surge Protection Included (6kV Line-Line; 10k-V Line-Earth)

#### Housing

- Aluminum Housing with 3" Fitter.

#### Finish

- Super Durable Polyester Powder Coat Finish. Custom Finishes Available, Including Patinas and All RAL Colors.

#### Listings & Ratings

- ETL Listed to UL 1598 Standard for Wet Location and IP66.
- LED is IP66 Rate

#### Warranty

- 5 Year Limited Warranty



### Order Information Example:

AST1FA16PTP30W4KU3DEC1BK

ASTRIX 1									
Model	Globe/Lens	Globe Size	Globe Mounting	Wattage	CCT	Voltage	Optics	Cages	Finish
Astrix 1=Astrix 1	<b>WA</b> =White (Opal) Acrylic** <b>WP</b> =White (Opal) Polycarbonate*** <b>FA</b> =Frosted Acrylic <b>FP</b> =Frosted Polycarbonate <b>PRSA</b> =Prismatic Acrylic <b>PRSP</b> =Prismatic Polycarbonate*  **18" & 20" Globe Only ***22" Globe Only, Type V Only ****Type V Only	10=10" 12=12" 14=14" 18=18" 20=20" 22=22**  *White Acrylic Only	<b>PTP</b> =Post Top Plate <b>PTMP</b> =Pendant Mount for Wall Plate <b>CM</b> =Chain Mount <b>SM</b> =Stem Mount	10W=10w 15W=15w 20W=20w 30W=30w	3K=3000K 4K=4000K 5K=5000K	<b>U</b> =120-277V <b>H</b> =347/480V	2=Type II 3=Type III 4=Type IV 5=Type V	<b>DEC1</b> =Half Cage, 8 Ribs* <b>DEC3B</b> =Half Cage, 4 Ribs*  *Cages available in 16", 18" & 20" Globe Only	<b>STANDARD FINISHES</b> <b>BK</b> =Black <b>BZ</b> =Bronze <b>DBZ</b> =Dark Bronze <b>WH</b> =White <b>GR</b> =Green <b>SM</b> =Silver Metallic <b>GY</b> =Light Gray <b>TBK</b> =Textured Black <b>CC</b> =Custom Color (Consult Factory)

## POST TOP/PENDANT MOUNT

### Photometric Data



**6" Radiant™**

### RADIANT™ LED LIGHT ENGINE SPECIFICATIONS:

Lumen Output for Astrix 1					
Wattage (Catalog Logic)		10 Watts (10W)	15 Watts (15W)	20 Watts (20W)	30 Watts (30W)
Radiant Size (DIA.)		6"	6"	6"	6"
Input Watts		10.2	14.6	20.4	30.6
Optic	CCT	Delivered Lumens			
2 = Type II Clear, Prismatic or Frosted	3K	1,344	1,763	2,352	3,527
	4K	1,371	1,800	2,400	3,600
	5K	1,392	1,828	2,437	3,655
	BUG Rating	B0-U2-G1	B1-U2-G1	B1-U2-G1	B1-U2-G1
3 = Type III Clear, Prismatic or Frosted	3K	1,342	1,760	2,348	3,521
	4K	1,369	1,797	2,396	3,595
	5K	1,390	1,825	2,433	3,649
	BUG Rating	B1-U2-G1	B1-U2-G1	B1-U2-G1	B1-U2-G1
4 = Type IV Clear, Prismatic or Frosted	3K	1,312	1,721	2,296	3,443
	4K	1,339	1,758	2,343	3,515
	5K	1,359	1,784	2,379	3,569
	BUG Rating	B1-U2-G1	B1-U2-G1	B1-U2-G1	B1-U2-G1
5 = Type V Clear, Prismatic or Frosted	3K	1,373	1,801	2,402	3,603
	4K	1,401	1,839	2,452	3,678
	5K	1,423	1,867	2,489	3,734
	BUG Rating	B1-U2-G1	B1-U2-G1	B2-U2-G1	B2-U2-G1
5 = Type V with White Opal Lens	3K	964	1,446	1,928	2,893
	4K	984	1,477	1,969	2,953
	5K	999	1,499	1,998	2,998
	BUG Rating	B1-U3-G1	B1-U3-G1	B1-U3-G2	B1-U4-G2

Please refer to the fixture's IES file for detailed information. Subject to change.

## POST TOP/PENDANT MOUNT

**Cage** (Not Available in 22"):

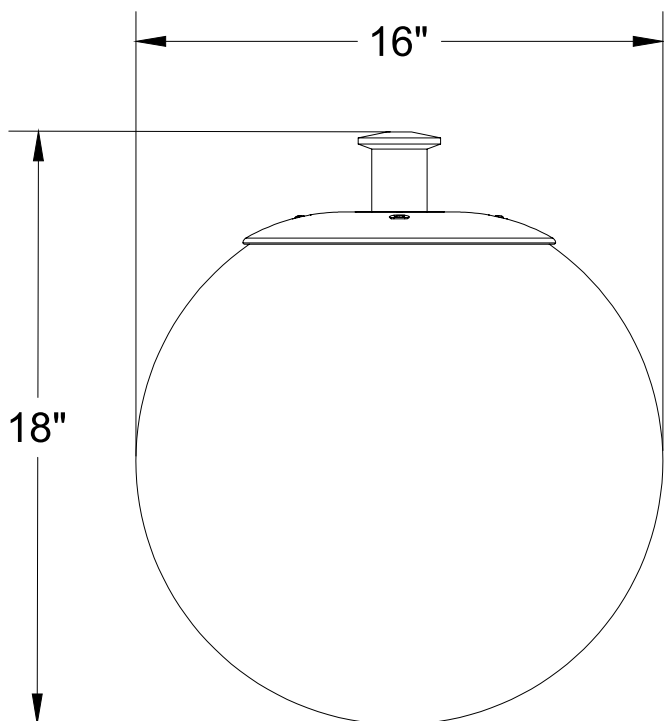


**DEC1**

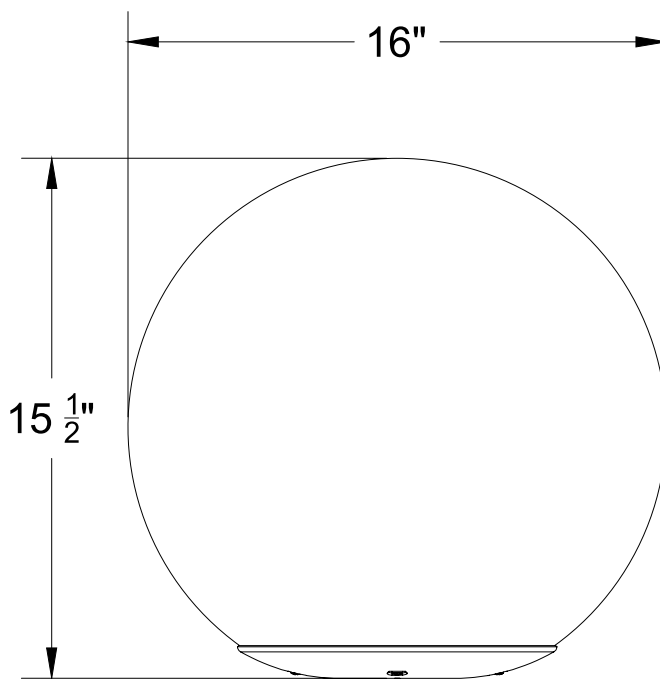


**DEC3B**

### Dimensions



**Pendant Mounting (PTMP)**



**Post Top Plate Mounting (PTP)**

## POST TOP/PENDANT MOUNT

### Pendant

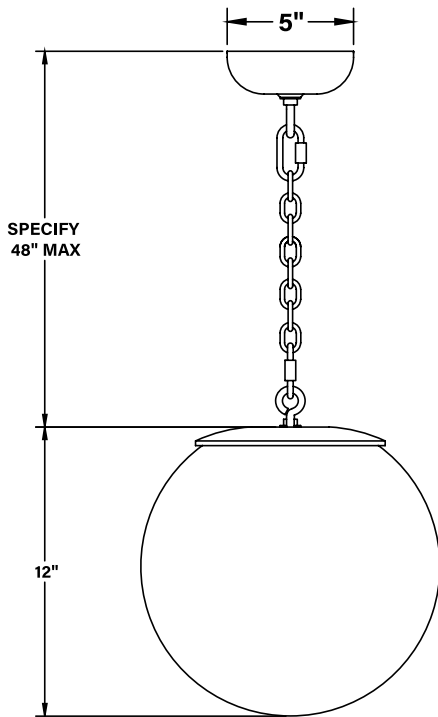


**PWM-10**

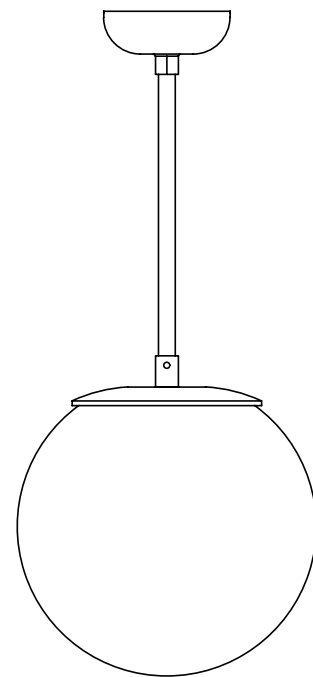


**PWM-9**

### Dimensions



**Pendant Mounting (PTMP)**



**Post Top Plate Mounting (PTP)**