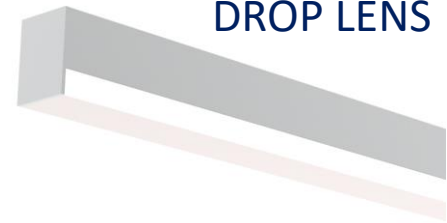


FEATURES:

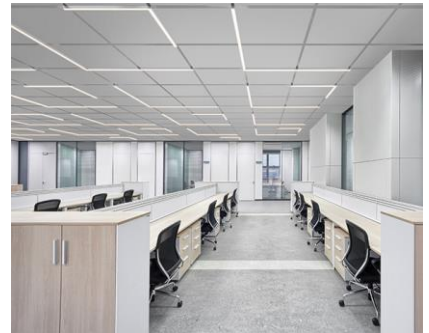
- Extruded aluminum coated with white as standard.
- Flat PC lens or Drop lens.
- low-profile appearance.
- Class II/P driver, with 0-10V or Triac dimming.
- 50,000+ Hours LED Life Expectancy.
- Power factor: >0.92.
- White ,black, grey color for option
- Surface ,suspended available
- Driver disconnect provided where required to comply.
- 5 Year Warranty.
- Damp location.
- UL/cUL us listed.
- Ambient Temperature:-30 ~ 40 °C(-22° F to +104° F)
- Damp Location Rated
- Two types of lens offered for different scenario



FLAT LENS



DROP LENS



APPLICATIONS:

- Offices
- Conference rooms/Retail
- Reception areas/Hallways
- Education facilities
- T grid ceiling

Ordering information (standard)

Item	Watts	3CCT	Efficacy	Lumens	Dimension(L*W*H):mm/inch		
CIP-MX811TLM01012BVKDXW	10W	3500K 4000K 5000K	115lm/w	800lm~ 2320lm	609mm 24"	26mm 1.0"	23mm 0.91"
CIP-MX811TLM02014BVKDXW	20W	3500K 4000K 5000K	115lm/w	2300lm~ 4600lm	1219mm 48"	26mm 1.0"	23mm 0.91"
CIP-MX811TLD01012BVKDXW	10W	3500K 4000K 5000K	115lm/w	800lm~ 2320lm	609mm 24"	26mm 1.0"	23mm 0.91"
CIP-MX811TLD02014BVKDXW	20W	3500K 4000K 5000K	115lm/w	2300lm~ 4600lm	1219mm 48"	26mm 1.0"	23mm 0.91"

*Due to continuing product improvements, we reserve the right to change the specifications without notice.

ORDERING - use for part number

Model	Color of Lens	Watts	Length	Mounting Method	CCT	Driver	Accessories
CIP-MX811T	LM - milky lens	010: 1 0W 020: 20W	12-2FT 14-4ft	B: Surface/ Suspended/ Recessed W: Wall	30:3000K 35:3500K 40:4000K 45:4500K 50:5000K VK:CCT Tunable	D 1 - 120-277V D 2 - 347V D 3 - 120-347V D 4 - 120-277V wattage selectable D 5 - 120-347V wattage selectable D 6 - 347-480V	A- no sensor & no EM, B -with Sensor, no EM, C- no sensor, with EM D with sensor & with EM F-for (future use)
	LD-Drop lens						

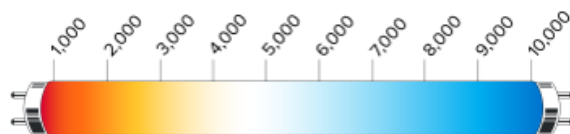
CCT TUNABLE



3000K/3500K-Warm White

4000K-Nature White

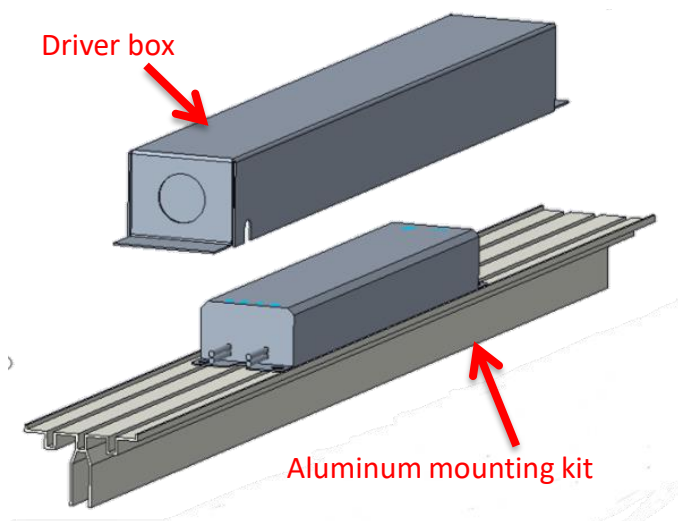
5000K-Cold White



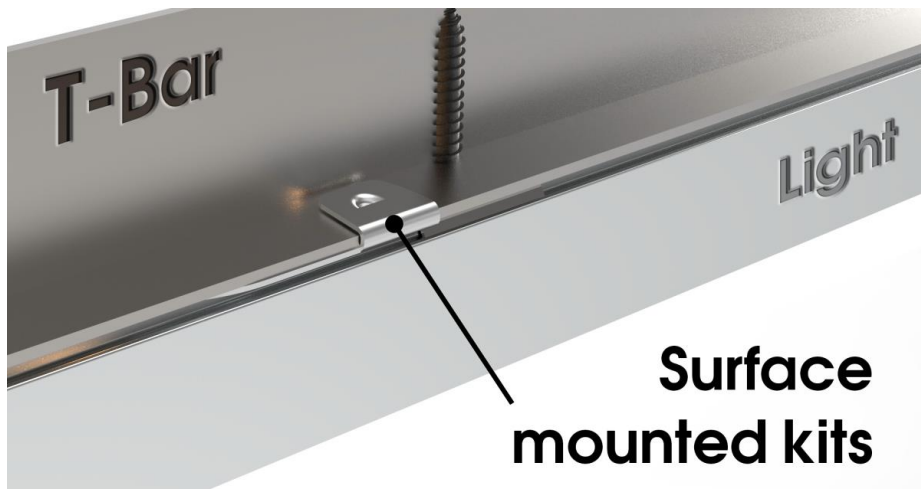
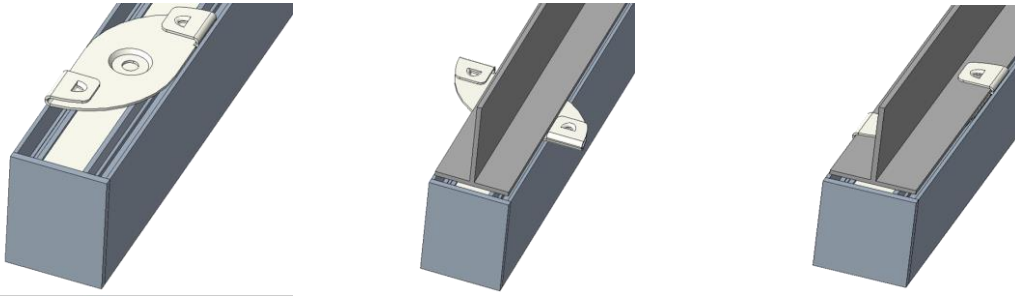
Driver Supply

ORDERING - use for part number

Driver Box	Size	Maximum
80W driver box	2FT	8pcs
	4FT	4pcs
40W driver box	2FT	4pcs
	4FT	2pcs



INSTALLATION



Snap the fixture with an extra clips into the T-grid with minimum labor, place the low voltage cable alongside the t grid and connect the individual Power supply which can connect 4 fixture maximum flexible to create pattern as below.

No need to replace the existing T-grid

