

# SPORTS LIGHT (CIP-MSL01)



## DESCRIPTION

By providing superior high output and high efficiency, this sports light series is the ideal solution for outdoor sports lighting such as municipal, school and semi-professional outdoor sports lighting. Dynamic thermal management design maximizes heat dissipation and significantly improves the life of luminaires. Built-in surge suppression adds an extra layer of protection to the luminaire driver. Versatile mounting bracket for hassle-free installation.



Small Size: 350W & 505W  
600W

Large Size: 500W & 600W  
650W & 850W



## SPECIFICATION FEATURES

### Construction

- Sealed die-casting profile for outdoor applications
- Low profile, 3G vibration rated compact design minimizes wind load requirements.
- Housing is completely sealed against moisture and environmental contaminants (IP65).

### Optics

- Available in NEMA 3Hx3V, 4Hx4V, 5Hx5V, 6Hx6V distributions.
- Light engines are available in standard 4000 K, 5000K and 5700 K (70/80/90 CRI) configurations.
- Scalable Lumen Packages from 49,500 to 118,000 Lumens.
- Optics is precisely designed to shape the distribution, maximizing efficiency and application spacing.

### Electrical

- Universal 120-277 VAC or 347-480 VAC input voltage
- Standard with 0-10V dimming driver(s)
- Built in surge suppression with max.20KV @120-277V(Max.40KV @277-480V).
- THD: ≤20%
- Power Factor: ≥90%

### Ambient Temperature

- Ambient operating temperature -40 C to 55 C (-40 F to 131 F).

### Lifespan

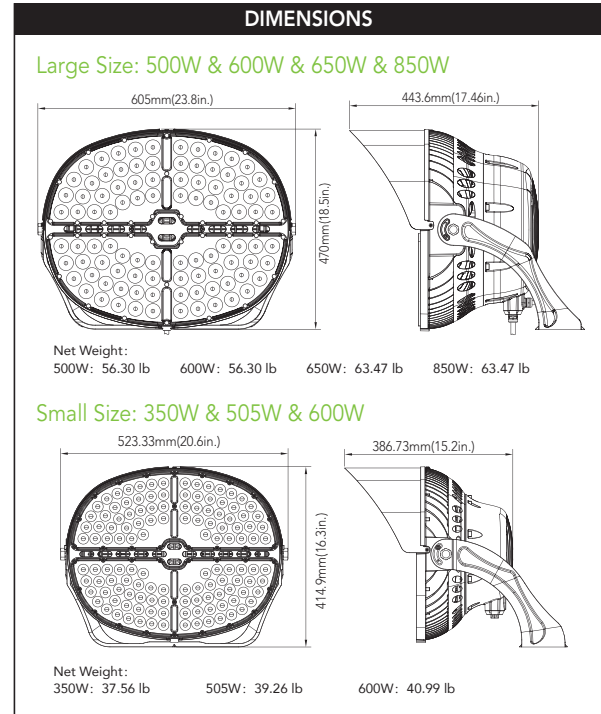
- Estimated 100,000-hour LED lifespan based on IES LM-80 results and TM-21 calculations

### Note

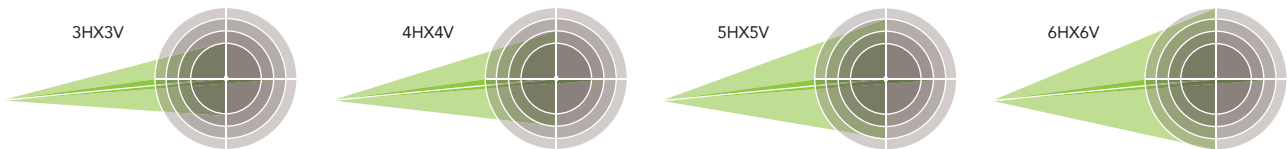
- Actual performance may differ as a result of end-user environment and application. All values are design or typical values, measured under laboratory conditions at 25 C (±5 C ) specifications subject to change without notice.

### Certifications

- DesignLights Consortium™ Qualified.
  - UL cUL wet location listed.
- Note: DesignLights Consortium™ Qualified and classified for DLC Standard, refer to [www.designlights.org](http://www.designlights.org) for details.



## PHOTOMETRICS



## PERFORMANCE DATA

SIZE	SYSTEM WATTS	VOLTAGE	NEMA	EPA	CRI	LUMENS (4000K)	LPW (4000K)	LUMENS (5000K)	LPW (5000K)	LUMENS (5700K)	LPW (5700K)
Small Size	350W	120-277V/347-480V	4Hx4V	1.8911	70	51000lm	146 lm/W	51000lm	146 lm/W	49500lm	141 lm/W
Small Size	505W	120-277V/347-480V	4Hx4V	1.8911	70	70000lm	139 lm/W	70000lm	139 lm/W	68000lm	135 lm/W
Small Size	600W	120-277V/347-480V	4Hx4V	1.8911	70	82000lm	137 lm/W	82000lm	137 lm/W	80000lm	133 lm/W
Large Size	500W	120-277V/347-480V	4Hx4V	2.5471	70	71000lm	142 lm/W	71000lm	142 lm/W	69000lm	138 lm/W
			3Hx3V	2.5471	70	68160lm	136 lm/W	68160lm	136 lm/W	66240lm	132 lm/W
Large Size	600W	120-277V/347-480V	4Hx4V	2.5471	70	84000lm	140 lm/W	84000lm	140 lm/W	82000lm	137 lm/W
			3Hx3V	2.5471	70	80640lm	134 lm/W	80640lm	134 lm/W	78720lm	131 lm/W
Large Size	650W	277-480V	4Hx4V	2.5471	70	91000lm	140 lm/W	91000lm	140 lm/W	88000lm	135 lm/W
			3Hx3V	2.5471	70	87360lm	134 lm/W	87360lm	134 lm/W	84480lm	130 lm/W
Large Size	850W	120-277V/347-480V	4Hx4V	2.5471	70	118000lm	139 lm/W	118000lm	139 lm/W	112000lm	132 lm/W
			3Hx3V	2.5471	70	113280lm	133 lm/W	113280lm	133 lm/W	107520lm	126 lm/W

# ELECTRICAL DATA

Number Of Drivers	Driver Current (mA)	Nominal Power (W)	INPUT VOLTAGE (V)	CURRENT (Amps)
1	2400	350	120	2.92
		350	208	1.68
		350	240	1.46
		350	277	1.26
		350	347	1.01
		350	480	0.73
1	4800	500	120	4.17
		500	208	2.40
		500	240	2.08
		500	277	1.81
		500	347	1.44
		500	480	1.04
1	2350	505	120	4.21
		505	208	2.43
		505	240	2.10
	2500	505	277	1.82
		505	347	1.46
		505	480	1.05
1	5600	600	120	5.00
		600	208	2.88
		600	240	2.50
		600	277	2.17
	5200	600	347	1.73
		600	480	1.25
1	5200	650	277	2.35
		650	347	1.87
		650	480	1.35
1	5500	850	120	7.08
		850	208	4.09
		850	240	3.54
		850	277	3.07
		850	347	2.45
		850	480	1.77

## ORDERING GUIDE Example: CIP-MSL01-(Wattage)-(Voltage)-(CCT)-B-(Nema)-TR-(Integrated Control Option)

Fixture Type	Wattage	Voltage	CCT	Finish	Nema	Mounting(Optional)	Integrated Control	Internal Code
<input type="text"/>	<input type="text"/>	<input type="text"/>	<input type="text"/>	<input type="text"/>	<input type="text"/>	<input type="text"/>	<input type="text"/>	<input type="text"/>
<b>CIP-MSL01</b> Sports light	<b>350</b> 350W <b>500</b> 500W <b>505</b> 505W <b>600</b> 600W <b>650</b> 650W <b>850</b> 850W	<b>27V</b> 120-277V <b>48V</b> 347-480V <b>48V</b> 277-480V	<b>40K</b> 4000K <b>50K</b> 5000K <b>57K</b> 5700K	<b>B</b> Black	<b>B33</b> 3Hx3V <sup>1</sup> <b>B44</b> 4Hx4V <b>B55</b> 5Hx5V <sup>2</sup> <b>B66</b> 6Hx6V <sup>2</sup>	<b>TR</b> Trunion	<b>C</b> With Integrated Control <b>Blank</b> Without Integrated Control	<b>Blank</b> <b>Alphanumeric</b>

Highlighted we try to keep in US stock

Note: 1. 3H3V is only suit for large size, and small size will be coming soon  
3. 650W only suitable for 277-480V input.

2. 5H5V,6H6V will be coming soon.

## Example: CIP-MSL01E-600W-(Voltage)-(CCT)-B-(Nema)-TR-(Integrated Control Option)

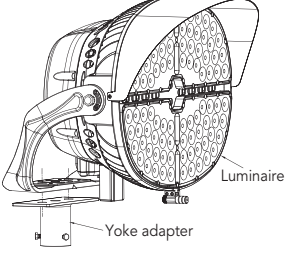

Fixture Type	Wattage	Voltage	CCT	Finish	Nema	Mounting(Optional)	Integrated Control	Internal Code
<input type="text"/>	<input type="text"/>	<input type="text"/>	<input type="text"/>	<input type="text"/>	<input type="text"/>	<input type="text"/>	<input type="text"/>	<input type="text"/>
<b>CIP-MSL01E</b> Sports light	<b>600</b> 600W	<b>27V</b> 120-277V <b>48V</b> 347-480V	<b>40K</b> 4000K <b>50K</b> 5000K <b>57K</b> 5700K	<b>B</b> Black	<b>B33</b> 3Hx3V <sup>1</sup> <b>B44</b> 4Hx4V <b>B55</b> 5Hx5V <sup>1</sup> <b>B66</b> 6Hx6V <sup>1</sup>	<b>TR</b> Trunion	<b>C</b> With Integrated Control <b>Blank</b> Without Integrated Control	<b>Blank</b> <b>Alphanumeric</b>

Note: 3H3V, 5H5V,6H6V will be coming soon.

## ACCESSORIES

			
<p><b>Black Top Visor (Default)</b></p>	<p><b>Aiming Sight</b></p>	<p><b>Integrated Control (Option)</b></p>	<p><b>Glare Control Shield (Optional for large size)</b></p>

## Mounting Bracket

	
<p><b>Another optional easy installation is provided to apply the fixture on a 2 3/8" tennon with Mester Yoke adapter.</b></p>	<p><b>Yoke Adaptor (Option)</b></p>

CIP Lighting

803-766-0243

info@ciplighting.com

www.ciplighting.com