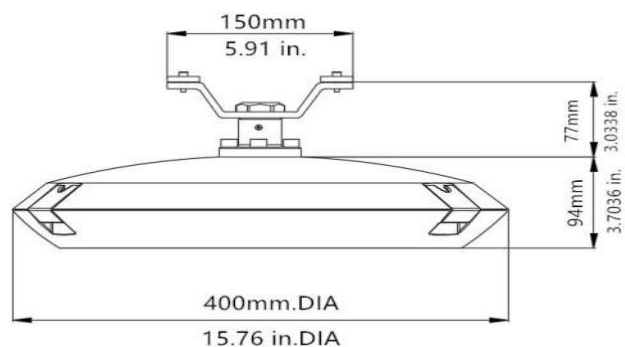


CitySoft™ Amazing G1

-- LED Catenary Luminaire

Long Life and Low Maintenance Cost

In addition to delivering superior performance, the CitySoft® Led Catenary Street lights is a contemporary and timeless solution of CitySoft® urban road lighting system. The Catenary street lights is mounted on a specially-designed catenary cable that is strung between two support structures (like buildings or poles). Deliver excellent visibility and promote safety and security for public areas. CitySoft® Catenary luminaire is idea for catenary street lights system of city center streets, parks, plazas and campus squares.



Features

CitySoft™ Amazing outputs range from 3,000lm to 10,000lm. It provides a unique, scalable lighting solution targeted for 2.5m(8ft) to 9.0m(30ft) mounting heights. Its design brings proportion to Parking garage, Street catenary, Canopy and Industrial areas etc.,

- Multiple options of light distribution for Parking garage, Street catenary, Canopy, Industrial and building areas
- Internal hidden rotating axis structure design allows opening the fixture without compromising the exterior design
- Both Catenary and Surface mounted available, and Professional catenary street lighting design
- Dynamic thermal regulation protects LEDs and electronics under extreme temperatures
- Body designed to prevent fitting from water, dust, and bird droppings etc.,
- Self-cleaning and Tool free entry
- Replaceable driver unit and control gear
- 0-10V & 1-10V dimmable, DALI Control gear, Timer dimming controls
- Attached Microwave Motion Sensor available
- Common mode surge protection 6KV and Customized achievable up to 10KA and 20KA for option
- Die-cast aluminum optical assembly, lid, body and arms, thickness 3.5~4.0mm

Benefits

- Wide applications for Parking garage, Street catenary, Canopy, Industrial and building areas
- Profession for Catenary street illumination
- Lower energy consumption by up to 60%, with a corresponding reduction in CO2 emissions
- Less and Easier maintenance
- Future-proof
- Smart & Intelligent lighting control
- Attractive, welcoming, convenient and safe

Applications

Parking garage, Streets with catenary, Supermarkets, Large Stores, Commercial buildings, Pathways, Sports area etc.,

Construction & Housing

Low profile die-cast aluminum housing designed as one-piece with internal heat radiator for thermal management. Formed aluminum top is sloped to prevent bird nesting and designed to be Self-cleaning effects. Stable mechanical system prevents damage from installation generated vibration. Molded silicone gasket throughout insures IP66 rated against the ingress of dust and water

Finish

Housing finished in super durable AKZO polyester powder coatings for superior protection against fade and wear to withstand extended outdoor exposure, providing excellent resistance to corrosion, ultraviolet degradation and abrasion at a **10 years lifetime**. Finish is compliant with 1500hrs salt spray. **3000hrs salt spray is provided** at MOQ 500pcs. Standard colors include Dark Bronze (RAL8019), Anthracite Grey (RAL7016) and Black (RAL9005). RAL & Customized color available with MOQ 200pcs

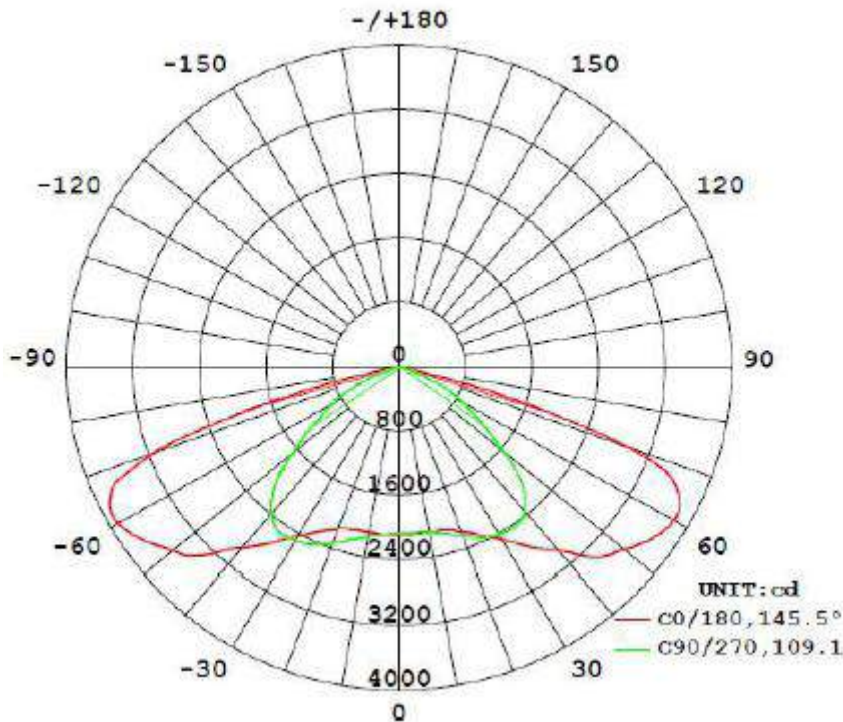
Optics

- Built-in PC optical lens with exterior tempered glass
- Beam of 25° 55° and 90° offered as standard
- Special optics of light distribution for Catenary street lighting offered as standard
- More of variety optics to meet full lighting application & requirements are offered upon requested
- Find the distribution curve and instructions in below

Light Performance

- SDCM<3
- Anti-glare
- Luminaire output efficacy up to 120 LPW. Minimum CRI 80 offered as standard for **Non-Street light** versions
- Luminaire output efficacy up to 135 LPW. Minimum CRI 70 offered as standard for **Catenary Street light** versions
- CCT 2700-3000K, 3700-4000K, 4700-5000K, 5400-5700K offered as standard. **Amber as customized**

Distribution curve



Electrical

- LED modular and heat sink are directly mounted to upper housing thermal pad for optimal thermal performance
- Protection Class I offered as standard. **Class II offered as customized**
- Input voltage 100-277Vac 50/60Hz. 347V-480Vac 60Hz contact manufacturer for inquiry
- PF>0.92 at full load. THD<10% at full load.
- Integral 6KV surge protection offered as standard (80W is 10KV). **10KA 20KA SPD offered as customized**
- Replaceable driver unit and control gear
- Powered off automatically when opening the fixture

Dimming and Controls

- 0-10V & 1-10V dimmable, dimming range from 10% to 100%
- DALI Control gear dim-to-off
- Timer dimmable with 3 timer modes: Self Adapting-Midnight; Self Adapting-Percentage and Traditional timer
- Integrated Microwave Motion sensor--on/off
- Detached dimming and occupancy Microwave Motion sensor for added dimming feature
- **Osram OPTOTRONIC driver offered as customized 4DIM in one device (StepDIM, AstroDIM, MainsDIM, DALI)**

Mountings

Catenary

Installations and Maintenance

- Suggested installation height 2.5m(8ft) to 9.0m(30ft)
- Catenary or Surface mounting
- Tool-less opening and Easy maintenance on-site
- All external screws are in AISI 304 stainless steel. Screw connection block or as option an external IP connector
- 0.3m outlet Input cable offered as standard and customized cable length is acceptable
- Body designed to prevent fitting from water, dust, and bird droppings etc.,
- Self-cleaning

Ratings

- IP66 Rated
- IK09 Rated
- CE-EMC CE-LVD SAA C-tick IEC ETL and DLC Listed
- Complies with the materials of RoHS
- Operating temperature rated at -40°C to 50°C

Lumens maintenance and Warranty

Ambient temperature	TM-21 Lumen Maintenance (60,000 Hours)	Calculated L80 (Hours)	Warranty time
25°C	>91%	>60,000	10 Years
40°C	>88%	>60,000	7 Years
50°C	>86%	>42,000	5 Years

CAUTION

Fixtures must be grounded in accordance with national, state and/or local electrical codes. Failure to do so may result in serious personal injury