



4"

6"

8"

9.5"

CCT & POWER SELECT Commercial Downlight



5CCT



3POWER



DAMP



120°



50,000hr



5-year

FEATURES

- Multiple size: 4 / 6 / 8 / 9.5inch
- 5 CCT selectable: 27 / 30 / 35 / 40 / 50K
- 3 Power selectable: High / Medium / Low
- High efficiency: 110LM/W
- 0-10V dimmable
- Compatible with emergency system
- Damp location suitable
- IC and airtight rated

ADVANTAGES

- Allows for easy adjustment of output and color
- 6 Lights in 1 fitting, less SKU, less inventory cost
- Unique deep depression design reduces glare
- Aluminum durable design for 50,000 hrs lifetime

APPLICATIONS

Commercial | Education | Office



3POWER

Multiple Power Selectable

Easily accessible switch allows selection between 3 wattages depending on output requirements



5CCT

Multiple CCT Selectable

Easily accessible switch allows selection of 5 CCT to suit a variety of environments



(803) 766-0243 | info@ciplighting.com

572 John Ross Pkwy, Ste 107, PMB 29, Rock Hill, SC 29730





SPECIFICATIONS

We do try to keep the highlighted in US stock

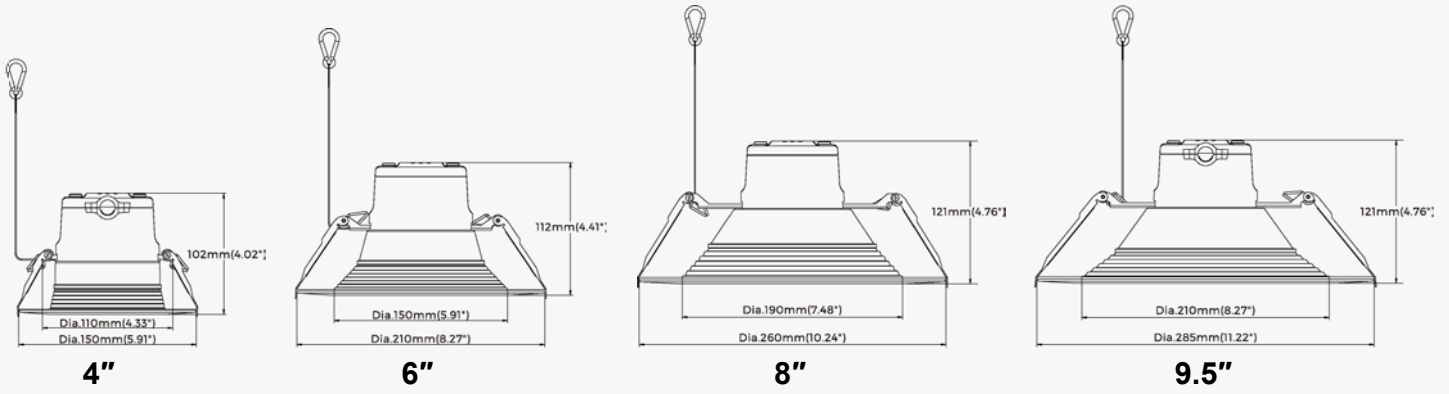
Modes	DL-4"	DL-6"	DL-8"	DL-9.5"
AC Voltage	120-347V	120-347V	120-347V	120-347V
PF	0.9	0.9	0.9	0.9
Power Rating	18/13/9W	27/19/13W	36/27/18W	40/30/20W
Lumen	2000/1500/1000LM	3000/2100/1500LM	4000/3000/2000LM	5000/3750/2500LM
Efficiency	110LM/W	110LM/W	110LM/W	125LM/W
CRI	80	80	80	80
CCT	27/30/35/40/50K	27/30/35/40/50K	27/30/35/40/50K	27/30/35/40/50K
Beam Angle	120°	120°	120°	120°
Dimming Protocol	0-10V	0-10V	0-10V	0-10V
IP Rating	Damp	Damp	Damp	Damp
Certifications	ETL/FCC/ES	ETL/FCC/ES	ETL/FCC/ES	ETL/FCC/ES
IC Rated	IC and airtight rated	IC and airtight rated	IC and airtight rated	IC and airtight rated
Limited Warranty	5 yrs	5 yrs	5 yrs	5 yrs
Lifetime	50,000hrs	50,000hrs	50,000hrs	50,000hrs
Emergency Compatible	Yes	Yes	Yes	Yes



(803) 766-0243 | info@ciplighting.com

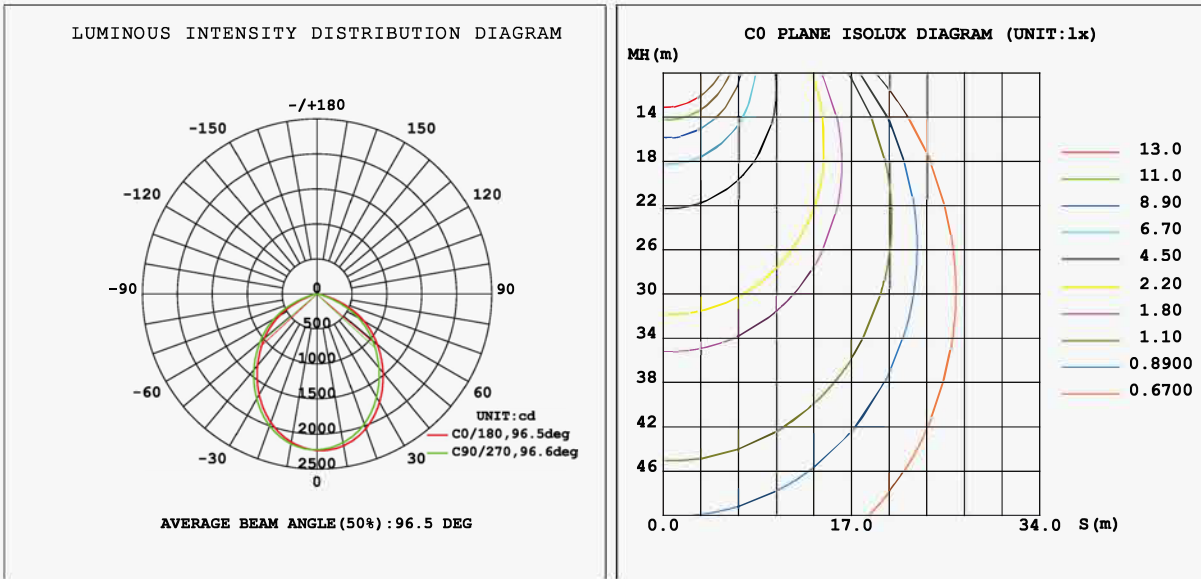
572 John Ross Pkwy, Ste 107, PMB 29,
Rock Hill, SC 29730

DIMENSIONS

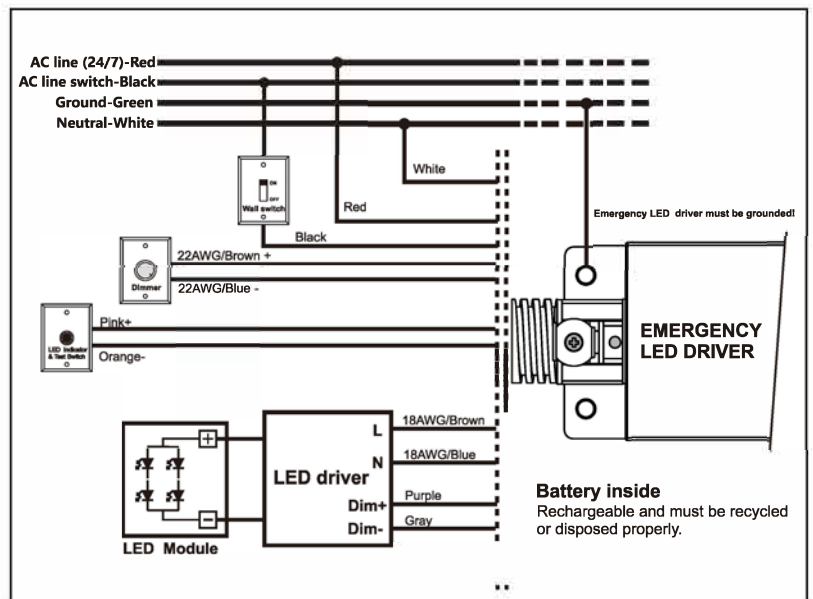
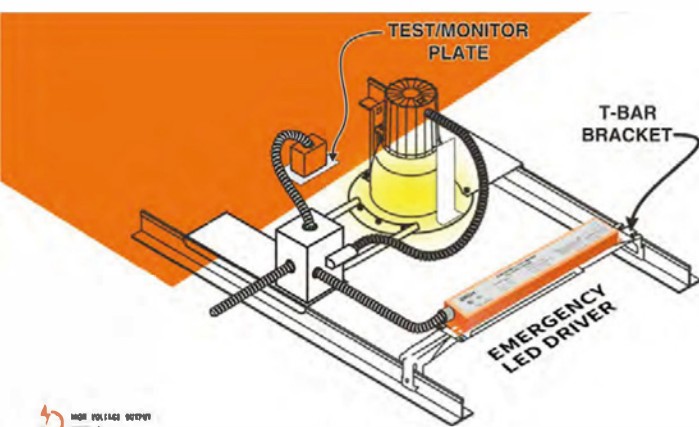


PHOTOMETRIC DIAGRAMS

9.5"-40W



WIRING DIAGRAM



HIGH VOLTAGE OUTPUT
 179VDC
 BONETANT
 POWER
 Sell Test



(803) 766-0243 | info@ciplighting.com

572 John Ross Pkwy, Ste 107, PMB 29,
 Rock Hill, SC 29730