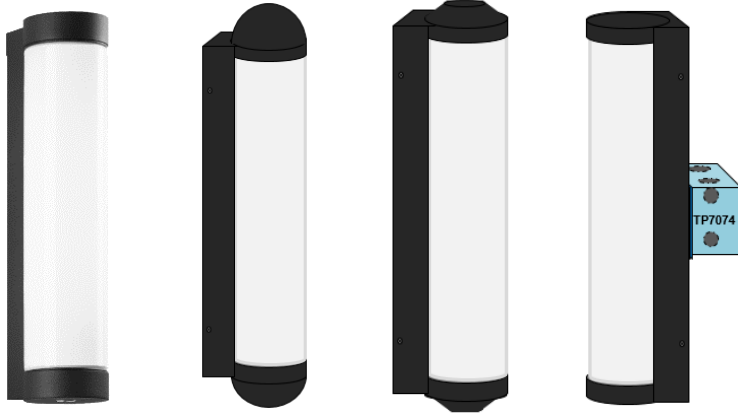


GTG1208A-MCA95A: LED BULKHEAD LIGHT

(MCA95A)-[FFS]							
[MTF] Flat Top	[MTD] Dome Top	[MTT] Tilt Top	[FJP]				



INTRODUCTION

FEATURE

Durable Optimized LED Lighting
 Skilled Manufacturing Technology
 Long Lifespan >50,000hours
 Working Temperature: -30°C~50°C

MAIN MATERIAL

LED Brand: SMD (LM80)
 Driver Brand: GUBO
 Housing: Pure Aluminum Profile
 Diffuser: Antiglare Opal PC Diffuser

INSTALLATION

[FFS] Surface Mounted: Ceiling, Wall
 [FJP]: Mounting Plate on Outlet Box
 Suitable for Architecture Illumination, Like Balcony, Veranda, External Wall...

STANDARD

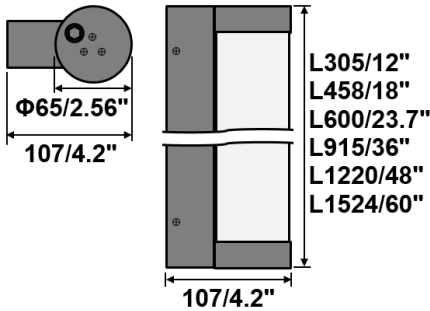
Designed and Manufactured to Comply with
 TUV/CB/CE/RoHS/SA/Erp/cETL/FCC
 IP65 Protection, Class I & II Electrical

OPTION

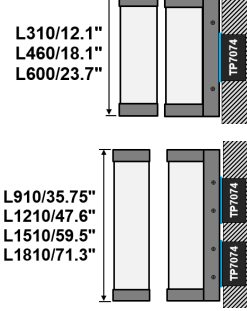
LED CCT: 1,800K~10,000K/R/G/B/Y
 [CRI]: [E] RA80, [G] RA90, [H] RA97
 F1: Custom Housing Finish Colors by RAL Code

WHITE RAL9010P	BLACK RAL9005P	DARK GREY RAL7016P	GREY RAL7043P	PEARL GREY RAL9022P
--------------------------	--------------------------	------------------------------	-------------------------	-------------------------------

DIMENSION: [UNIT: MM]



[FJP] TP7074



CASE STUDY: (L600)



MODEL	POWER [W]	LED TYPE	CCT [K]	CRI	FLUX [LM]	POWER FACTOR	BEAM ANGLE	OPTIONAL DIMMING	INPUT [V]
GTG1208A-MCA95A-L305	20W [12W]	180x0.5W SMD2835	H3000K	RA97	1800	> 0.9	180°	[CDT]: TRIAC(15%) [CDV]: 0/1~10V(8%) [CDV0]: 0~10V(1%) [CDV1]: 1~10V(15%) [CDX]: DMX512(1%) [CDA]: DALI(1%) [CRZ]: ZIGBEE(1%) [CRF]: 2.4G RF (1%) [CDP]: PWM(1%)	AC100~277V [AC220~240V] [AC100~240V] [AC100~347V] 50/60Hz
			H4000K	RA97	1900				
			H6500K	RA97	1900				
	2C@20W	TWH	H2700K	H6500K	RA97	1800			
4C@20W	RGBW	620nm 520nm 460nm H2700K	\	1800	> 0.9				
GTG1208A-MCA95A-L458	30W [20W]	240x0.5W SMD2835	H3000K	RA97	2520	> 0.9			
			H4000K	RA97	2660				
			H6500K	RA97	2660				
	2C@30W	TWH	H2700K	H6500K	RA97	2520			
4C@30W	RGBW	620nm 520nm 460nm H2700K	\	2520	> 0.9				
GTG1208A-MCA95A-L600	40W [30W]	300x0.5W SMD2835	H3000K	RA97	3600	> 0.9			
			H4000K	RA97	3800				
			H6500K	RA97	3800				
	2C@40W	TWH	H2700K	H6500K	RA97	3600	> 0.9		
4C@40W	RGBW	620nm 520nm 460nm H2700K	\	3600	> 0.9				
GTG1208A-MCA95A-L915	60W [40W]	480x0.5W SMD2835	H3000K	RA97	5400	> 0.9			
			H4000K	RA97	5720				
			H6500K	RA97	5720				
	2C@60W	TWH	H2700K	H6500K	RA97	5400	> 0.9		
4C@60W	RGBW	620nm 520nm 460nm H2700K	\	5400	> 0.9				
GTG1208A-MCA95A-L1220	80W [60W]	600x0.5W SMD2835	H3000K	RA97	7200	> 0.9			
			H4000K	RA97	7600				
			H6500K	RA97	7600				
	2C@80W	TWH	H2700K	H6500K	RA97	7200	> 0.9		
4C@80W	RGBW	620nm 520nm 460nm H2700K	\	7200	> 0.9				
GTG1208A-MCA95A-L1524	100W [80W]	720x0.5W SMD2835	H3000K	RA97	9000	> 0.9			
			H4000K	RA97	9500				
			H6500K	RA97	9500				
	2C@100W	TWH	H2700K	H6500K	RA90	9000	> 0.9		
4C@100W	RGBW	620nm 520nm 460nm H2700K	\	9000	> 0.9				
GTG1208A-MCA95A-L1830	120W [80W]	960x0.5W SMD2835	H3000K	RA97	10800	> 0.9			
			H4000K	RA97	11440				
			H6500K	RA97	11440				
	2C@120W	TWH	H2700K	H6500K	RA97	10800	> 0.9		
4C@120W	RGBW	620nm 520nm 460nm H2700K	\	10800	> 0.9				

NOTE:

All parameters are measured at 25°C ambient temperature, 35% humidity experimental environment. Tolerances of power and luminous flux are ±10%, tolerance of color rendering index is ±5.